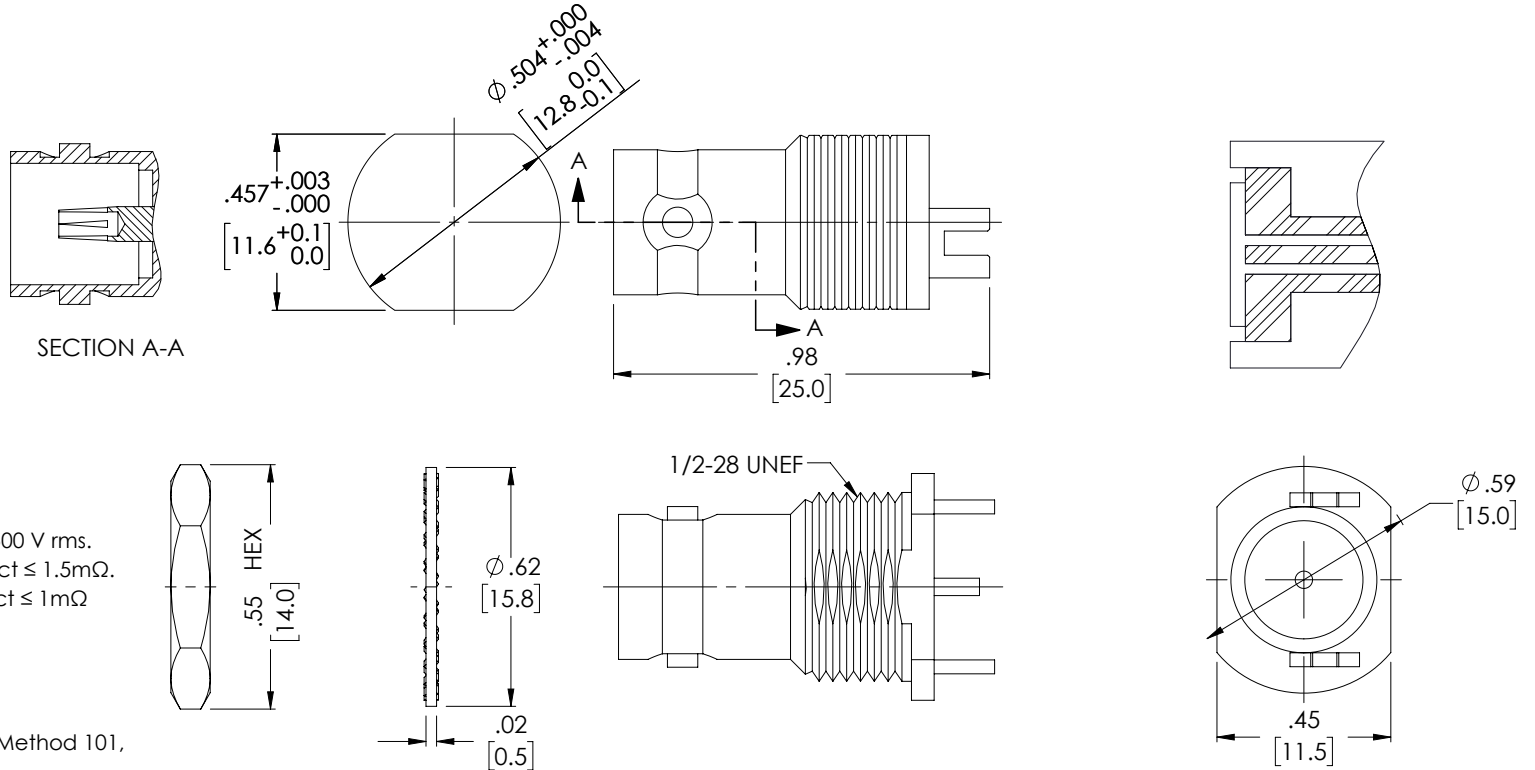


THE INFORMATION CONTAINED IN THIS DRAWING IS THE SOLE PROPERTY OF L-COM, INC. ANY REPRODUCTION IN PART OR WHOLE WITHOUT THE WRITTEN PERMISSION OF L-COM, INC. IS PROHIBITED.

REVISIONS			
REV	DESCRIPTION	DATE	APPROVED
A	REV A DRAWING RELEASED	10/26/2018	JYOU



**Notes:**

- Electrical:**  
 Impedance: 75 ohm  
 Frequency Range: 0~12 GHz.  
 Voltage Rating: ≥500 V rms (depending on cable)  
 Insulator Resistance: ≥5 GΩ  
 Dielectric Withstanding Voltage: 1500 V rms.  
 Contact Resistance: Center Contact ≤ 1.5mΩ.  
 Outer Contact ≤ 1mΩ  
 VSWR: ≤ 1.3
- Environmental:**  
 Temperature Range: -65a to 165a  
 Corrosion(Salt Spray): MIL-STD-202, Method 101, Cond. C  
 Thermal Shock: MIL-STD-202, Method 107, Cond. B  
 Mechanical: MIL-STD-202, Method 213, Cond. G  
 Vibration: MIL-STD-202, Method 204, Cond. B

**PACKAGING:**  
 CONNECTOR SHALL BE INDIVIDUALLY PACKAGED IN ACCORDANCE WITH L-COM SPECIFICATION PS-0031.

**REGULATORY COMPLIANCE:**  
 CE2011/65/EU(RoHS DIRECTIVE)

ITEM	Description	Material	Finish
5	Nut	Brass	NICKEL PLATE
4	Lock Washer	Steel	NICKEL PLATE
3	Inner Contact	BeCu	NICKEL/GOLD PLATE
2	Insulator	PTFE	None
1	Body	Brass	NICKEL PLATE

UNLESS OTHERWISE SPECIFIED, DIMENSIONS ARE IN INCHES [mm]

OVERALL CABLE LENGTH TOLERANCE:  
 ≤12 [305] = +1 [25] / -0  
 >12 [305] ≤60 [1524] = +2 [51] / -0  
 >60 [1524] ≤120 [3048] = +4 [102] / -0  
 >120 [3048] ≤300 [7620] = +6 [152] / -0  
 >300 [7620] = +5% / -0%

ALL OTHER DIMENSIONAL TOLERANCES:  
 .X = ± .2 [5.08]  
 .XX = ± .02 [5.1]  
 .XXX = ±.005 [1.3]

PROJECTION

APPROVALS

APPROVALS	DATE
DRAWN BY JYOU	09/17/2018
CHECKED BY BZHANG	09/17/2018
APPROVED BY SPAN	09/17/2018

CONFIGURATION DETAILS OF UNDIMENSIONED FEATURES MAY VARY

COLOR VARIATIONS MAY OCCUR

**L-com** Global Connectivity  
 50 HIGH STREET  
 NORTH ANDOVER, MA  
 01845

CATEGORY: Coaxial

PRODUCT DESCRIPTION: BNC B/H Jack, End Lanuch Type (75 ohm, 12 GHz)

SIZE <b>A</b>	FSCM NO. <b>43321</b>	DWG. NO. V7C00011	REV. <b>A</b>
------------------	--------------------------	----------------------	------------------

SCALE: NONE CAD FILE: V7C00011.SLDDRW SHEET 1 OF 1