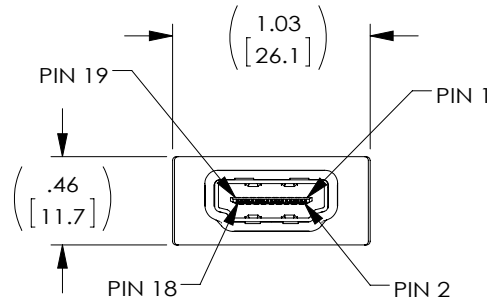
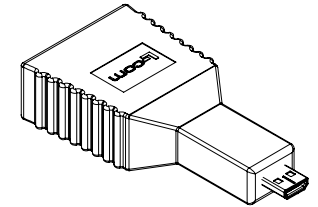
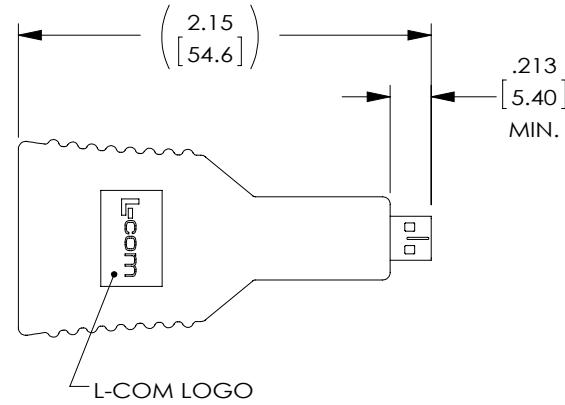


THE INFORMATION CONTAINED IN THIS DRAWING IS THE SOLE PROPERTY OF L-COM, INC. ANY REPRODUCTION IN PART OR WHOLE WITHOUT THE WRITTEN PERMISSION OF L-COM, INC. IS PROHIBITED.

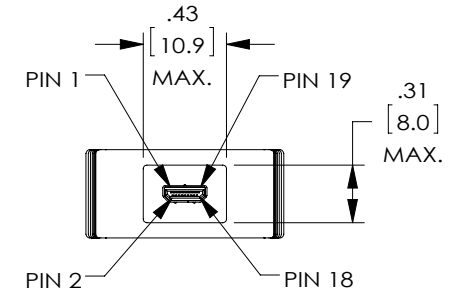
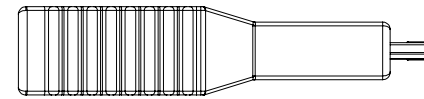
REVISIONS			
REV	DESCRIPTION	DATE	APPROVED
A	INITIAL RELEASE	7/10/15	D.FRISIELLO
B	ECN 9036; REVISE NOTES 2 and REMOVE HDMI STICKER	01/03/2018	B.ZHANG

WIRE MAP

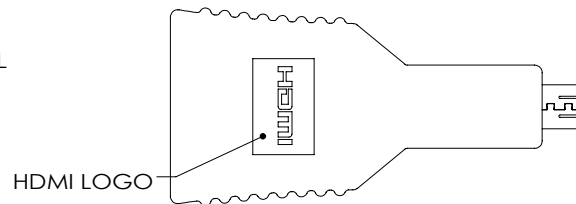
"P1"	"J1"
3	1
5	3
4	2
6	4
8	6
7	5
9	7
11	9
10	8
12	10
14	12
13	11
15	13
17	15
2	14
1	19
16	17
18	16
19	18
SHELL	SHELL



"J1"
HDMI FEMALE
CONNECTOR
GOLD PLATED
PINS AND SHELL



"P1"
HDMI MICRO
MALE CONNECTOR
GOLD PLATED
PINS AND SHELL



NOTES:

- ADAPTER SHALL BE TESTED FOR CONTINUITY.
- ADAPTER SHALL BE INDIVIDUALLY PACKAGED IN ACCORDANCE WITH L-COM SPECIFICATION PS-0031.

REGULATORY COMPLIANCE:
CE2011/65/EU (RoHS DIRECTIVE)

UNLESS OTHERWISE SPECIFIED, DIMENSIONS ARE IN INCHES [mm] OVERALL CABLE LENGTH TOLERANCE: ≤12 [305] = +1 [25] / -0 >12 [305] ≤60 [1524] = +2 [51] / -0 >60 [1524] ≤120 [3048] = +4 [102] / -0 >120 [3048] ≤300 [7620] = +6 [152] / -0 >300 [7620] = +3% / -0% ALL OTHER DIMENSIONAL TOLERANCES: .X = ±.2 [5.08] .XX = ±.02 [1.51] .XXX = ±.005 [1.3]	APPROVALS DRAWN BY D.FRISIELLO CHECKED BY JOHN LIU APPROVED BY S.SMITH	DATE 11/17/14 7/10/15 7/10/15	50 HIGH STREET NORTH ANDOVER, MA 01845
	CONFIGURATION DETAILS OF UNDIMENSIONED FEATURES MAY VARY		
PROJECTION 	COLOR VARIATIONS MAY OCCUR	SIZE A	FSCM NO. 43321
		DWG. NO. VAD001FM	REV. B
		SCALE: NONE	CAD FILE: VAD001FM.SLDDRW
		SHEET 1 OF 1	