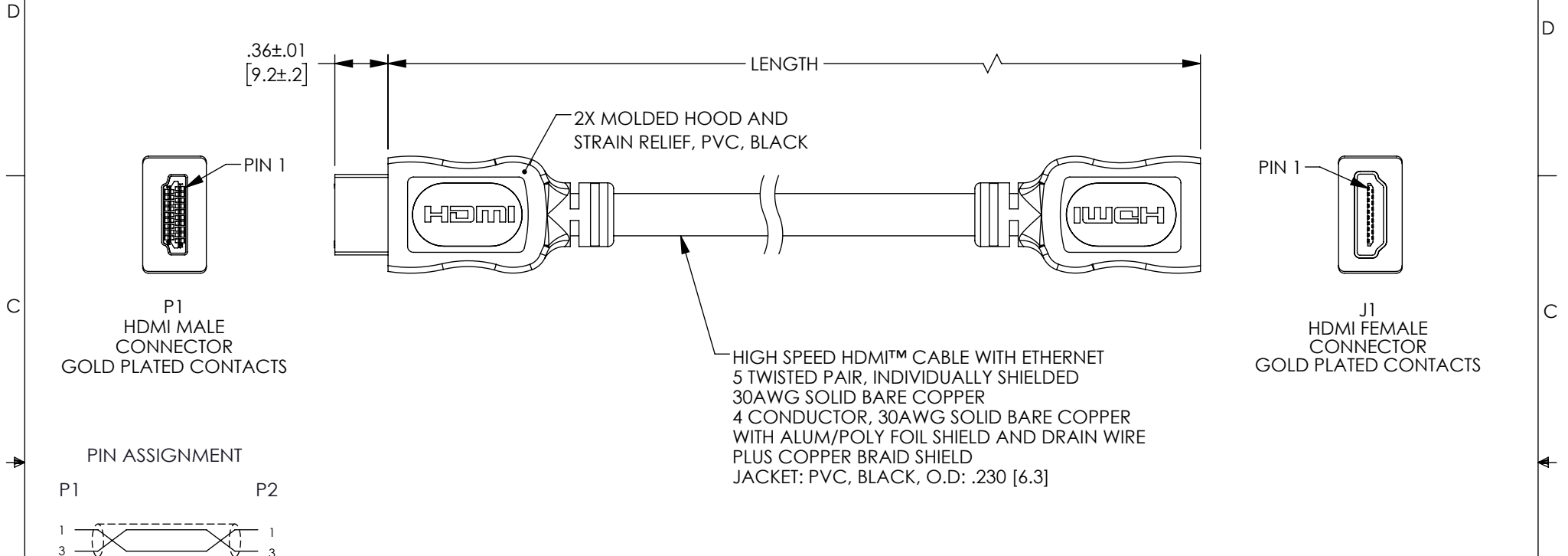


THE INFORMATION CONTAINED IN THIS DRAWING IS THE SOLE PROPERTY OF L-COM, INC. ANY REPRODUCTION IN PART OR WHOLE WITHOUT THE WRITTEN PERMISSION OF L-COM, INC. IS PROHIBITED.

REVISIONS			
REV	DESCRIPTION	DATE	APPROVED
B	ECN 12128: UPDATE CABLE CALLOUT WORDING	10/14/2022	DGUST

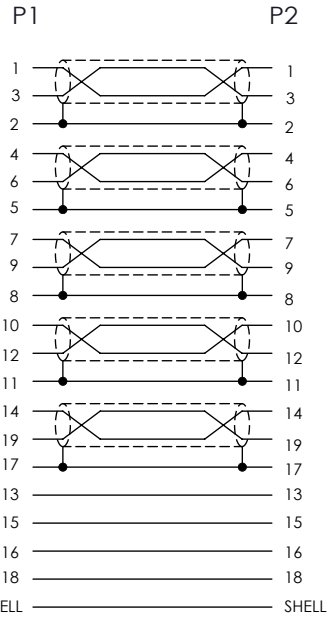


P1  
HDMI MALE  
CONNECTOR  
GOLD PLATED CONTACTS

J1  
HDMI FEMALE  
CONNECTOR  
GOLD PLATED CONTACTS

HIGH SPEED HDMI™ CABLE WITH ETHERNET  
5 TWISTED PAIR, INDIVIDUALLY SHIELDED  
30AWG SOLID BARE COPPER  
4 CONDUCTOR, 30AWG SOLID BARE COPPER  
WITH ALUM/POLY FOIL SHIELD AND DRAIN WIRE  
PLUS COPPER BRAID SHIELD  
JACKET: PVC, BLACK, O.D.: .230 [6.3]

PIN ASSIGNMENT


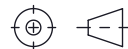


MODEL NO.	INCHES	LENGTH(mm)
VHA00023-1F	12.0±1.18	305±30
VHA00023-2F	24.0±1.18	610±30
VHA00023-3F	36.0±1.18	915±30

NOTES:

- ELECTRICAL TEST:
  - CABLE ASSEMBLY SHALL BE TESTED FOR CONTINUITY.
  - CONTACT RESISTANCE: 5 OHM MAX
  - INSULATION RESISTANCE: 5M OHM MIN
  - HI-POT TEST: DC 300V/10ms
  - PASS 4K@60Hz TEST
- PACKAGING:
 

CABLE ASSEMBLY SHALL BE INDIVIDUALLY PACKAGED.  
INTO A CLEAR POLYBAG, LABEL PER LSP-010.

UNLESS OTHERWISE SPECIFIED, DIMENSIONS ARE IN INCHES [mm]  OVERALL CABLE LENGTH TOLERANCE: ≤12 [305] = +1 [25] / -0 >12 [305] ≤60 [1524] = +2 [51] / -0 >60 [1524] ≤120 [3048] = +4 [102] / -0 >120 [3048] ≤300 [7620] = +6 [152] / -0 >300 [7620] = +5% / -0  ALL OTHER DIMENSIONAL TOLERANCES: .X = ± .2 [5]   FRACTIONS ± 1/32 .XX = ± .02 [5]   ANGLES ± 1° .XXX = ± .005 [1.3]	APPROVALS	DATE	 50 High Street, West Mill, North Andover, MA 01845 USA. Phone: 1.800.341.5266 1.978.682.6936
	DRAWN BY MVEERAPPAN  CHECKED BY DFRISIELLO  APPROVED BY MBLACKWOOD	09/28/2020	
THIRD-ANGLE PROJECTION 	CONFIGURATION DETAILS OF UNDIMENSIONED FEATURES MAY VARY	CATEGORY <b>AUDIO/VIDEO</b>	PRODUCT DESCRIPTION <b>High Speed HDMI Extension Cable, M/F</b>
	COLOR VARIATIONS MAY OCCUR	SIZE <b>A</b>	CAGE CODE <b>43321</b> ITEM NO. <b>VHA00023</b> REV. <b>B</b>
		SCALE: NONE	CAD FILE: VHA00023.SLDDRW
			SHEET 1 OF 1