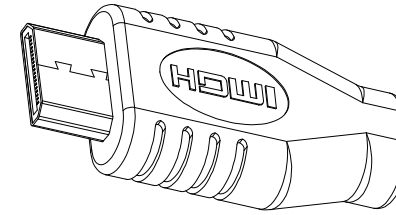
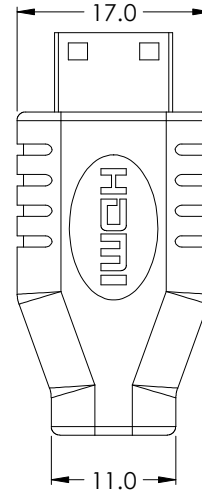
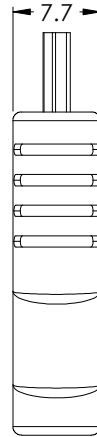
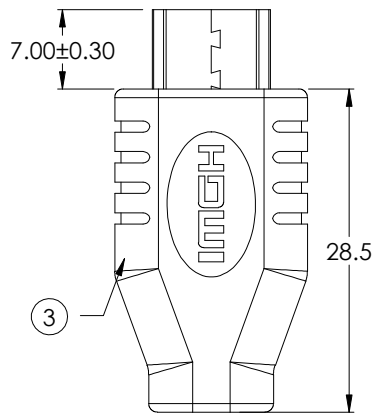
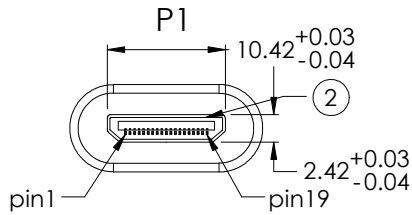


THE INFORMATION CONTAINED IN THIS DRAWING IS THE SOLE PROPERTY OF L-COM, INC. ANY REPRODUCTION IN PART OR WHOLE WITHOUT THE WRITTEN PERMISSION OF L-COM, INC. IS PROHIBITED.

REVISIONS			
REV	DESCRIPTION	DATE	APPROVED
A	INITIAL RELEASE	08/01/17	J.YOU

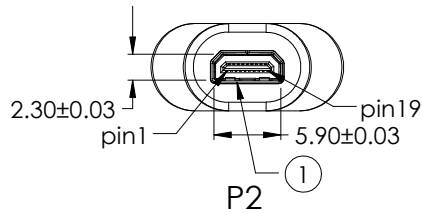
D

D



PIN OUT

P1	P2
01	04
02	03
03	05
04	07
05	06
06	08
07	10
08	09
09	11
10	13
11	12
12	14
13	16
14	15
15	17
16	18
17	02
18	19
19	01
S	S



NOTES:

Electrical Properties:

1. It should be no any open/short, miswiring and intermittent failures.
2. The cable shall be 100% electrical test.
3. Voltage test: DC 300V 10MS;
Insulation resistance: 5.0M ohm/min;
Conductance resistance: 5.0 ohm/max.

Machinery Character:

1. All dimension are "mm" except specified.
2. The cable should be clean, free of oiled/flash/burred.
3. Package: individually packaged in a clear polybag.
4. Cable Ass'y shall be RoHS Compliant.

Item	DESCRIPTION	UNIT	QTY
3	Outer molded: 45P PVC, Color: Black.	G	10
2	Conn: HDMI MINI C Male, shell & pin gold flash. , insulaton Black.	PCS	1
1	Conn:HDMI MICRO D Female,shell & pin gold flash. ,insulaton Black.	PCS	1

UNLESS OTHERWISE SPECIFIED,
DIMENSIONS ARE IN INCHES [mm]

OVERALL CABLE LENGTH TOLERANCE:
 ≤ 12 [305] = +1 [25] / -0
 >12 [305] ≤ 60 [1524] = +2 [51] / -0
 >60 [1524] ≤ 120 [3048] = +4 [102] / -0
 >120 [3048] ≤ 300 [7620] = +6 [152] / -0
 >300 [7620] = +3% / -0%

ALL OTHER DIMENSIONAL TOLERANCES:
 .X = ± .2 [5.08]
 .XX = ± .02 [1.51]
 .XXX = ± .005 [1.13]

PROJECTION

APPROVALS	DATE
DRAWN BY J.YOU	08/01/17
CHECKED BY B.GATES	08/01/17
APPROVED BY B.GATES	08/01/17

L-com Global Connectivity
 50 HIGH STREET
 NORTH ANDOVER, MA
 01845

CATEGORY	AUDIO/VIDEO
----------	-------------

PRODUCT DESCRIPTION			
HDMI MINI C(M) TO MICRO D(F)			
SIZE A	FSCM NO. 43321	DWG. NO. VHC00008	REV. A
SCALE: NONE		CAD FILE: VHC00008.SLDRW	SHEET 1 OF 1

A

A