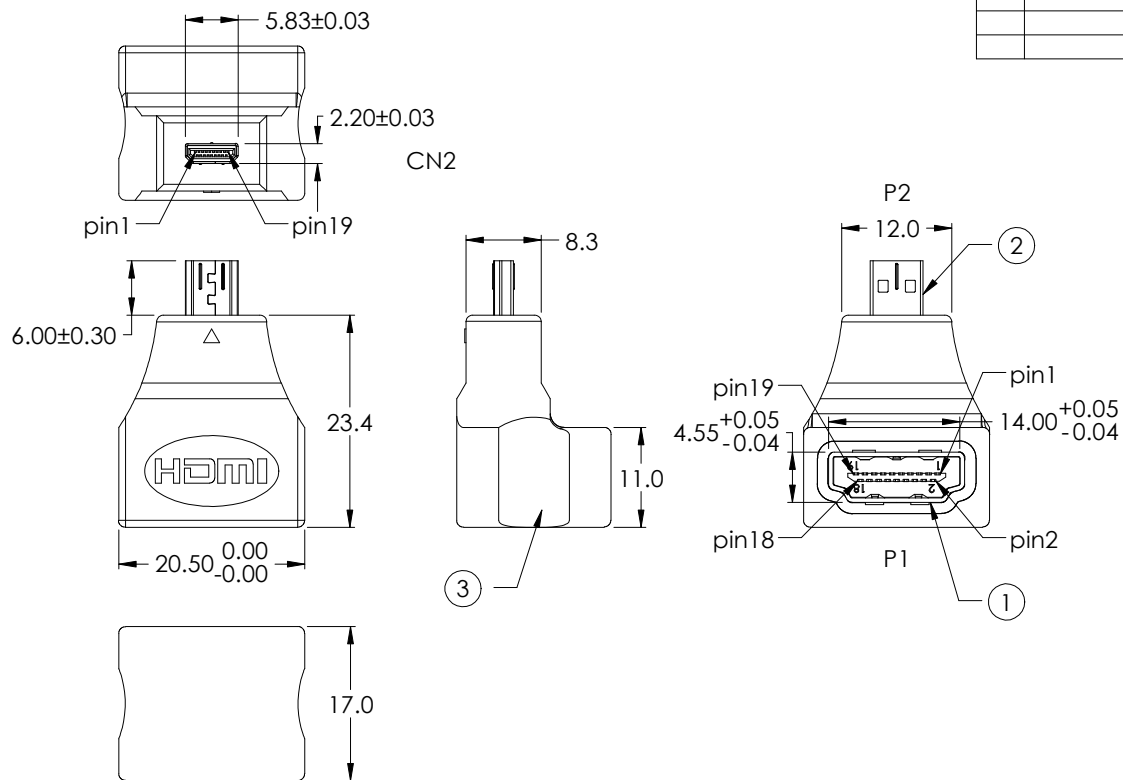


THE INFORMATION CONTAINED IN THIS DRAWING IS THE SOLE PROPERTY OF L-COM, INC. ANY REPRODUCTION IN PART OR WHOLE WITHOUT THE WRITTEN PERMISSION OF L-COM, INC. IS PROHIBITED.

REVISIONS			
REV	DESCRIPTION	DATE	APPROVED
A	INITIAL RELEASE	08/01/17	J.YOU



**PIN OUT**

P1	P2
19	01
14	02
01	03
02	04
03	05
04	06
05	07
06	08
07	09
08	10
09	11
10	12
11	13
12	14
13	15
17	16
15	17
16	18
18	19
S	S

**NOTES:**

**Electrical Properties:**

1. It should be no any open/short, miswiring and intermittent failures.
2. The cable shall be 100% electrical test.
3. Voltage test: DC 300V 10MS;  
Insulation resistance: 5.0M ohm/min;  
Conductance resistance: 5.0 ohm/max.

**Machinery Character:**

1. All dimension are "mm" except specified.
2. The cable should be clean, free of oiled/flash/burred.
3. Package: individually packaged in a clear polybag.
4. Cable Ass'y shall be RoHS Compliant.

3	Outer molded: 45P PVC, Color: Black.	G	10
2	Conn: HDMI 19P D Female, shell & pin gold flash. , insulaton Black.	PCS	1
1	Conn: HDMI 19P A Female, shell & pin gold flash. , insulaton Black.	PCS	1
Item	DESCRIPTION	UNIT	QTY

UNLESS OTHERWISE SPECIFIED, DIMENSIONS ARE IN INCHES [mm] OVERALL CABLE LENGTH TOLERANCE: ≤12 [305] = +1 [25] / -0 >12 [305] ≤60 [1524] = +2 [51] / -0 >60 [1524] ≤120 [3048] = +4 [102] / -0 >120 [3048] ≤300 [7620] = +6 [152] / -0 >300 [7620] = +3% / -0% ALL OTHER DIMENSIONAL TOLERANCES: .X = ± .2 [5.08] .XX = ± .02 [1.51] .XXX = ± .005 [1.13]	APPROVALS DRAWN BY J.YOU CHECKED BY B.GATES APPROVED BY B.GATES	DATE 08/01/17 08/01/17 08/01/17	50 HIGH STREET NORTH ANDOVER, MA 01845 CATEGORY AUDIO/VIDEO PRODUCT DESCRIPTION HDMI 19P AF TO MICRO DM 90°	
	CONFIGURATION DETAILS OF UNDIMENSIONED FEATURES MAY VARY	COLOR VARIATIONS MAY OCCUR		SIZE <b>A</b>
	FSCM NO. <b>43321</b>	DWG. NO. <b>VHC00011</b>		REV. <b>A</b>
	SCALE: NONE			CAD FILE: VHC00011.SLDDRW

D

C

B

A

D

C

B

A