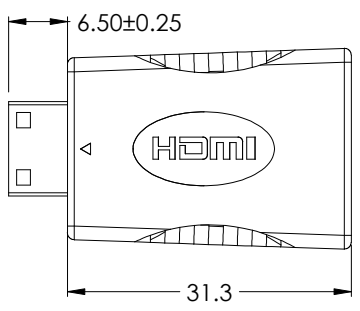
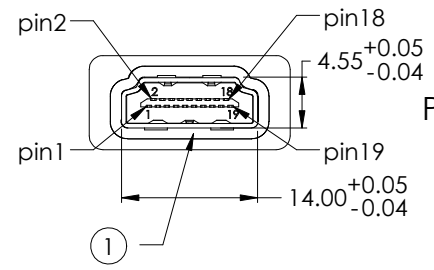
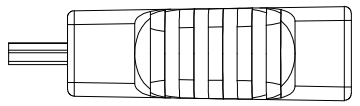
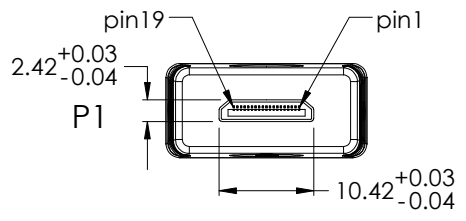
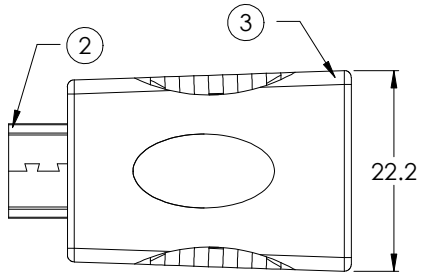


THE INFORMATION CONTAINED IN THIS DRAWING IS THE SOLE PROPERTY OF L-COM, INC. ANY REPRODUCTION IN PART OR WHOLE WITHOUT THE WRITTEN PERMISSION OF L-COM, INC. IS PROHIBITED.

REVISIONS			
REV	DESCRIPTION	DATE	APPROVED
A	INITIAL RELEASE	07/31/17	J.YOU



PIN OUT	
P1	P2
01	01
02	02
03	03
04	04
05	05
06	06
07	07
08	08
09	09
10	10
11	11
12	12
13	13
14	14
15	15
16	16
17	17
18	18
19	19
S	S

**NOTES:**

**Electrical Properties:**

1. It should be no any open/short, miswiring and intermittent failures.
2. The cable shall be 100% electrical test.
3. Voltage test: DC 300V 10MS;  
Insulation resistance: 5.0M ohm/min;  
Conductance resistance: 5.0 ohm/max.

**Machinery Character:**

1. All dimension are "mm" except specified.
2. The cable should be clean, free of oiled/flash/burred.
3. Package: individually packaged in a clear polybag.
4. Cable Ass'y shall be RoHS Compliant.

Item	DESCRIPTION	UNIT	QTY
3	Outer molded: 45P PVC, Color: Black.	G	10
2	Conn: HDMI MINI C Male, shell & pin gold flash., insulaton Black.	PCS	1
1	Conn: HDMI 19P A Female, shell & pin gold flash., insulaton Black.	PCS	1

UNLESS OTHERWISE SPECIFIED,  
DIMENSIONS ARE IN INCHES [mm]  
OVERALL CABLE LENGTH TOLERANCE:  
≤12 [305] = +1 [25] / -0  
>12 [305] ≤60 [1524] = +2 [51] / -0  
>60 [1524] ≤120 [3048] = +4 [102] / -0  
>120 [3048] ≤300 [7620] = +6 [152] / -0  
>300 [7620] = +5% / -0%

ALL OTHER DIMENSIONAL TOLERANCES:  
.X = ± .2 [5.08]  
.XX = ± .02 [1.51]  
.XXX = ± .005 [1.13]

PROJECTION

APPROVALS	DATE
DRAWN BY J.YOU	07/31/17
CHECKED BY B.GATES	07/31/17
APPROVED BY B.GATES	07/31/17

**L-com** Global Connectivity  
50 HIGH STREET  
NORTH ANDOVER, MA  
01845

CATEGORY: AUDIO/VIDEO

PRODUCT DESCRIPTION: HDMI 19P AF TO MINI CM

SCALE: NONE | CAD FILE: VHC0012.SLDDRW | SHEET 1 OF 1

SIZE: A | FSCM NO.: 43321 | DWG. NO.: VHC00012 | REV. A