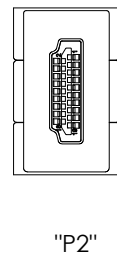
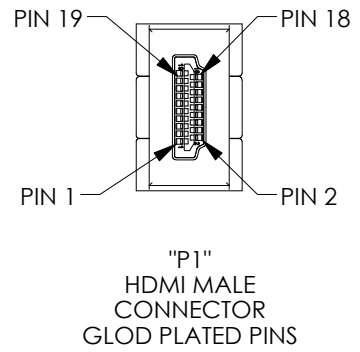
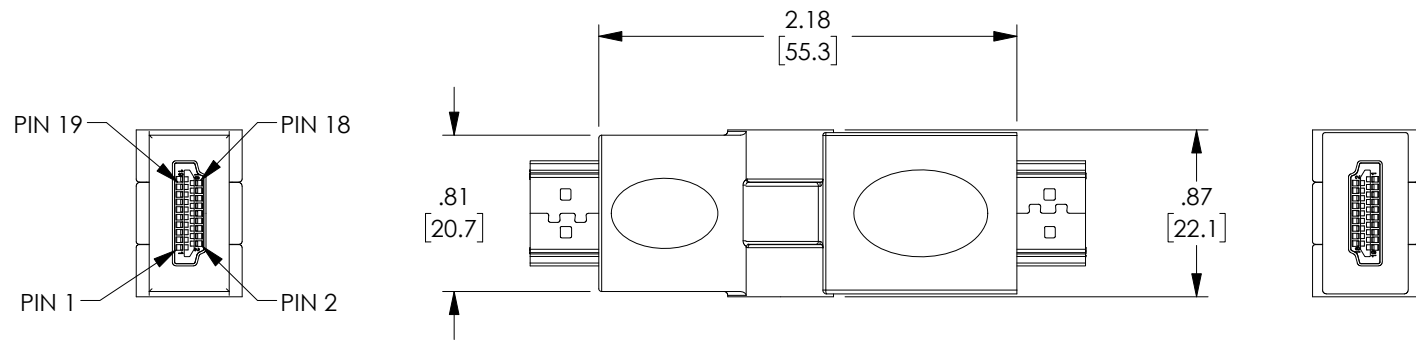
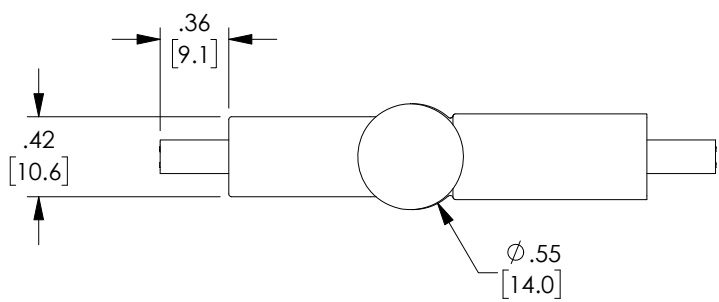


THE INFORMATION CONTAINED IN THIS DRAWING IS THE SOLE PROPERTY OF L-COM, INC. ANY REPRODUCTION IN PART OR WHOLE WITHOUT THE WRITTEN PERMISSION OF L-COM, INC. IS PROHIBITED.

| REVISIONS | | | |
|-----------|------------------------|------------|------------|
| REV | DESCRIPTION | DATE | APPROVED |
| A | REV A DRAWING RELEASED | 09/25/2018 | DFRISIELLO |
| | | | |
| | | | |



| WIRING MAP | |
|------------|--------|
| "P1" | "P2" |
| 1 | 1 |
| 2 | 2 |
| 3 | 3 |
| 4 | 4 |
| 5 | 5 |
| 6 | 6 |
| 7 | 7 |
| 8 | 8 |
| 9 | 9 |
| 10 | 10 |
| 11 | 11 |
| 12 | 12 |
| 13 | 13 |
| 14 | 14 |
| 15 | 15 |
| 16 | 16 |
| 17 | 17 |
| 18 | 18 |
| 19 | 19 |
| SHIELD | SHIELD |



NOTES:

ELECTRICAL:
 VOLTAGE TEST: DC300V 10MS
 INSULATION RESISTANCE: 5.0M OHM/MIN.
 CONDUCTOR RESISTANCE: 5.0 OHM/MAX.

- ALL DIMENSIONS ARE FOR REFERENCE ONLY.
- ADAPTER SHALL BE TESTED FOR CONTINUITY.
- ADAPTER SHALL BE INDIVIDUALLY PACKAGED IN ACCORDANCE WITH L-COM SPECIFICATION PS-0031.

REGULATORY COMPLIANCE:
 CE2011/65/EU(RoHS DIRECTIVE)

| | | | | | |
|--|---|--|--|-----------------------------|------------------|
| UNLESS OTHERWISE SPECIFIED, DIMENSIONS ARE IN INCHES [mm] OVERALL CABLE LENGTH TOLERANCE: ≤12 [305] = +1 [25] / -0 >12 [305] ≤60 [1524] = +2 [51] / -0 >60 [1524] ≤120 [3048] = +4 [102] / -0 >120 [3048] ≤300 [7620] = +6 [152] / -0 >300 [7620] = +5% / -0% ALL OTHER DIMENSIONAL TOLERANCES: .X = ± .2 [5.08] .XX = ± .02 [51] .XXX = ±.005 [1.13] | APPROVALS DRAWN BY: DFRISIELLO CHECKED BY: ELAMOTT APPROVED BY: BGATES | DATE 09/25/2018 09/25/2018 09/25/2018 | 50 HIGH STREET NORTH ANDOVER, MA 01845 | | |
| | CONFIGURATION DETAILS OF UNDIMENSIONED FEATURES MAY VARY | CATEGORY AUDIO/VIDEO | | | |
| PROJECTION | COLOR VARIATIONS MAY OCCUR | SIZE A | FSCM NO. 43321 | DWG. NO. VHC00026 | REV. A |
| SCALE: NONE | | CAD FILE: VHC00026.SLDDRW | | SHEET 1 OF 1 | |