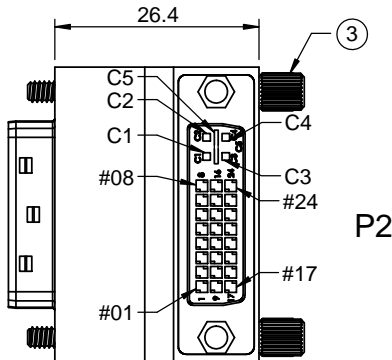
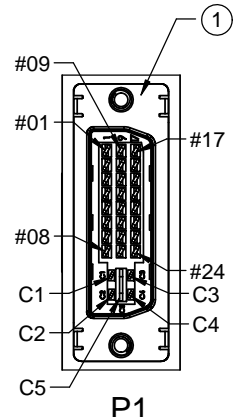
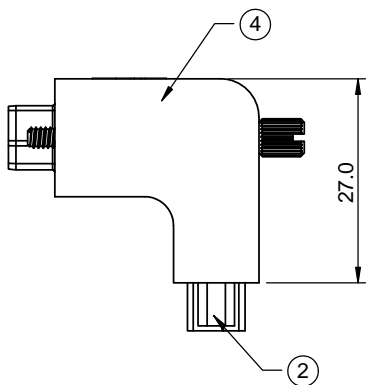


THE INFORMATION CONTAINED IN THIS DRAWING IS THE SOLE PROPERTY OF L-COM, INC. ANY REPRODUCTION IN PART OR WHOLE WITHOUT THE WRITTEN PERMISSION OF L-COM, INC. IS PROHIBITED.

| REVISIONS | | | |
|-----------|-----------------|----------|----------|
| REV | DESCRIPTION | DATE | APPROVED |
| A | INITIAL RELEASE | 07/07/17 | J.YOU |
| | | | |
| | | | |



PIN OUT

| P1 | P2 | P1 | P2 |
|----|----|----|----|
| 1 | 1 | 14 | 14 |
| 2 | 2 | 15 | 15 |
| 3 | 3 | 16 | 16 |
| 4 | 4 | 17 | 17 |
| 5 | 5 | 18 | 18 |
| 6 | 6 | 19 | 19 |
| 7 | 7 | 20 | 20 |
| 8 | 8 | 21 | 21 |
| 9 | 9 | 22 | 22 |
| 10 | 10 | 23 | 23 |
| 11 | 11 | 24 | 24 |
| 12 | 12 | S | S |
| 13 | 13 | | |

NOTES

Electrical Properties:

1. It should be no any open/short, miswiring and intermittent failures.
2. The cable shall be 100% electrical test.
3. Voltage test: DC 300V 10MS;
Insulation resistance: 5.0M ohm/min;
Conductance resistance: 5.0 ohm/max.

Machinery Character:

1. All dimension are "mm" except specified.
2. The cable should be clean, free of oiled/flash/burred.
3. Package: Individually packaged in a clear polybag.
4. Cable Ass'y shall be RoHS Compliant.

| Item | DESCRIPTION | UNIT | QTY |
|------|--|------|-----|
| 4 | Outer molded: 45P PVC, Color: Black. | G | 10 |
| 3 | Screw: 3.0*37.0MM(#4-40UNC), nickel plated. | PCS | 2 |
| 2 | P2 Conn:DVI(24+5)pin, female, with front screw, insulaton black, shell & pin gold flash. | PCS | 1 |
| 1 | P1Conn:DVI (24+5)pin, male, insulaton black, shell & pin gold flash. | PCS | 1 |

| | | | | |
|---|--|---------------------------|--|-------------------------|
| UNLESS OTHERWISE SPECIFIED, DIMENSIONS ARE IN INCHES [mm] DIMENSIONAL TOLERANCES: .X ± 1 [2.54] .XX ± 0.1 [.25] .XXX ± 0.05 [.13] ANGULAR TOLERANCES: ANGLES: ±1° PROJECTION | APPROVALS DRAWN BY J.YOU | DATE 07/07/17 | | |
| | CHECKED BY B.GATES | 07/07/17 | | CATEGORY AUDIO/VIDEO |
| | APPROVED BY B.GATES | 07/07/17 | PRODUCT DESCRIPTION DVI 24+5 M TO DVI F RA ADPT | |
| | CONFIGURATION DETAILS OF UNDIMENSIONED FEATURES MAY VARY | | | |
| COLOR VARIATIONS MAY OCCUR | SIZE A | FSCM NO. 43321 | DWG. NO. VIC00006 | REV. A |
| SCALE: NONE | | CAD FILE: VIC00006.SLDDRW | | SHEET 1 OF 1 |