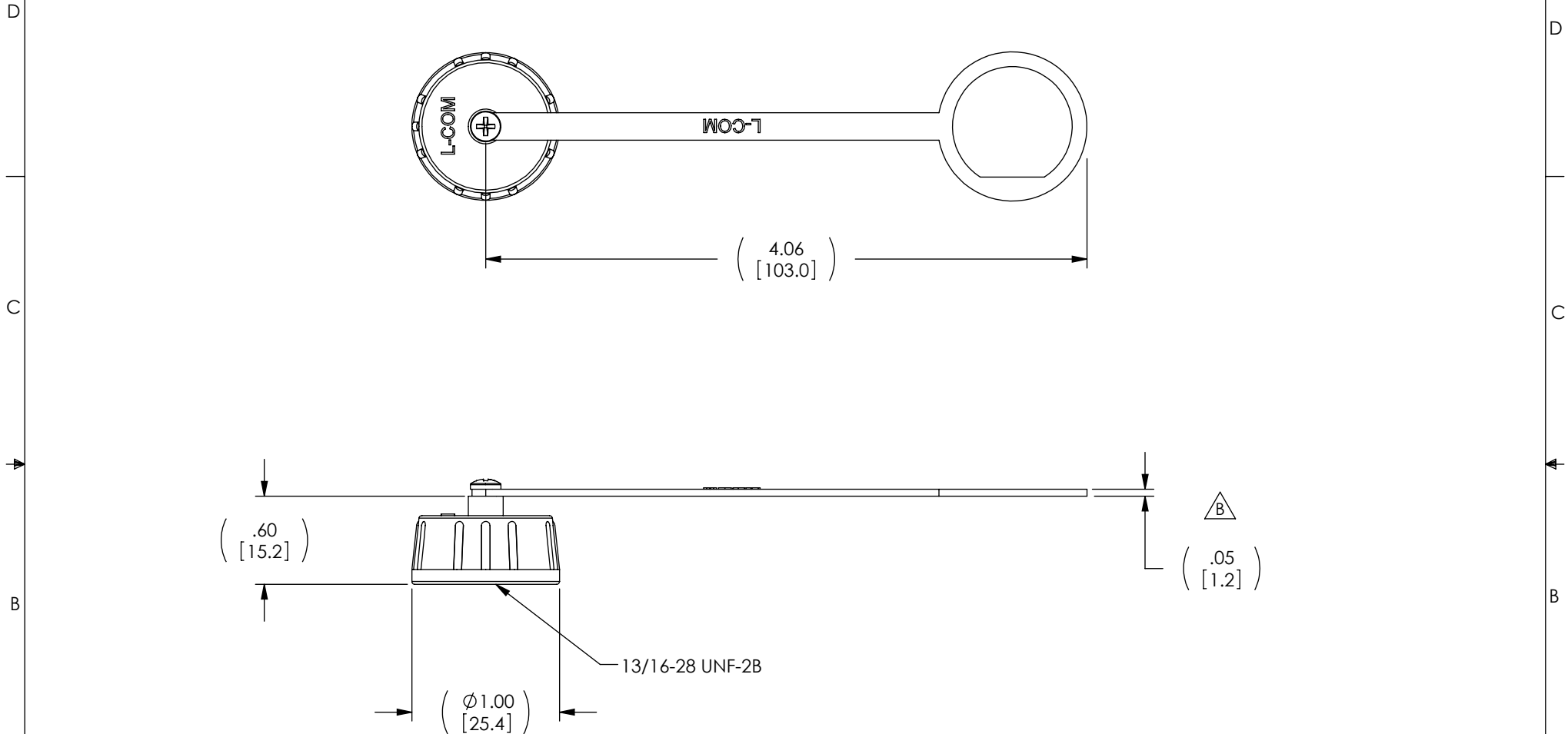


THE INFORMATION CONTAINED IN THIS DRAWING IS THE SOLE PROPERTY OF L-COM, INC. ANY REPRODUCTION IN PART OR WHOLE WITHOUT THE WRITTEN PERMISSION OF L-COM, INC. IS PROHIBITED.

REVISIONS			
REV	DESCRIPTION	DATE	APPROVED
A	INITIAL RELEASE	3/11/10	D.GRIFFIN
B	ECN 5397: DELETED DIM. .08, ADDED DIM. .05	3/22/11	D. CASTRO



NOTES:

1. INGRESS PROTECTION RATING, IP67.
2. CAP: ZN-ZDC-3.
3. GASKET: BLACK, EPDM.
4. SCREW: ST. STEEL
5. RUBBER LEAD: HYTREL, BLACK.
6. RUBBER LEAD CAN ROTATE FREELY AROUND SCREW.
7. CAP ASSEMBLY SHALL BE INDIVIDUALLY PACKAGED IN ACCORDANCE WITH L-COM SPECIFICATION PS-0031.

RoHS Compliant ✓

UNLESS OTHERWISE SPECIFIED, DIMENSIONS ARE IN INCHES [mm] OVERALL CABLE LENGTH TOLERANCE: ≤12 [305] = +1 [25] / -0 >12 [305] ≤60 [1524] = +2 [51] / -0 >60 [1524] ≤120 [3048] = +4 [102] / -0 >120 [3048] ≤300 [7620] = +6 [152] / -0 >300 [7620] = +3% / -0% ALL OTHER DIMENSIONAL TOLERANCES: .X = ± .2 .XX = ± .02 .XXX = ± .005	APPROVALS DRAWN BY D. CASTRO CHECKED BY D. PARHAM APPROVED BY S. SMITH	DATE 2/26/10 3/9/10 3/9/10	45 BEECHWOOD DRIVE NORTH ANDOVER, MA 01845		
	CONFIGURATION DETAILS OF UNDIMENSIONED FEATURES MAY VARY			CATEGORY USB	
PROJECTION 	COLOR VARIATIONS MAY OCCUR	SIZE A	FSCM NO. 43321	DWG. NO. WPCVR-SHLD-USB	REV. B
SCALE: NONE		CAD FILE: WPCVR-SHLD-USB.SLDDRW		SHEET 1 OF 1	

A

A