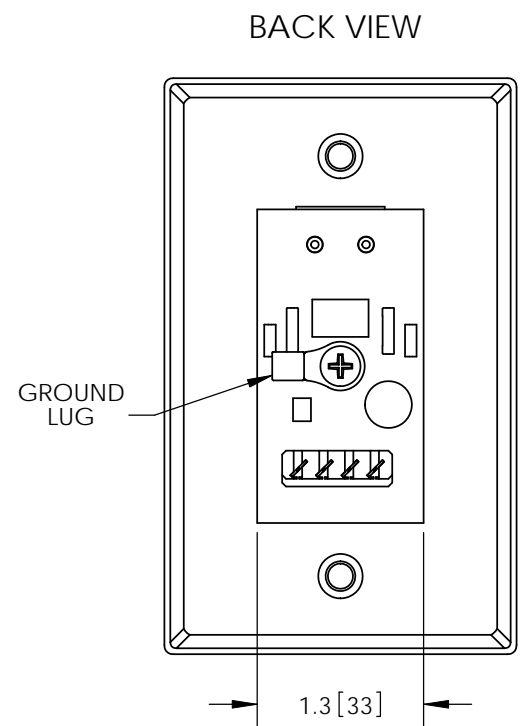
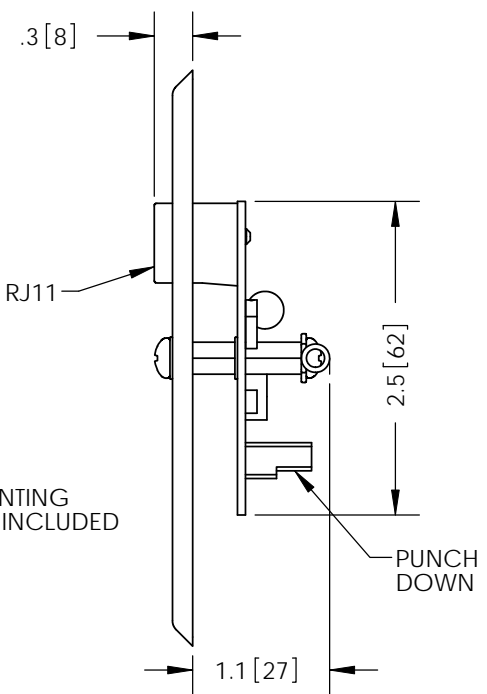
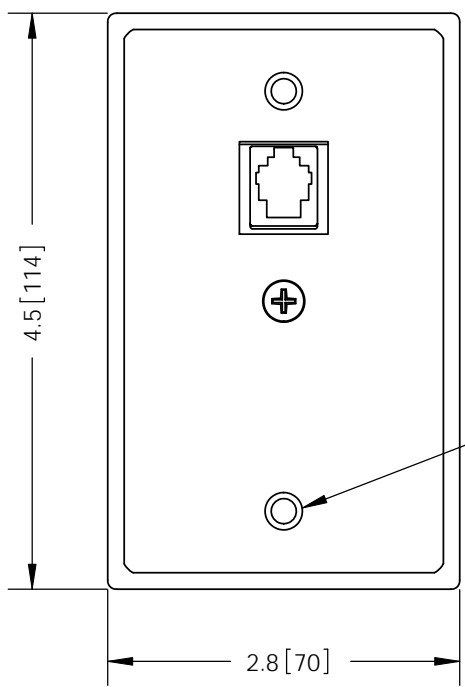
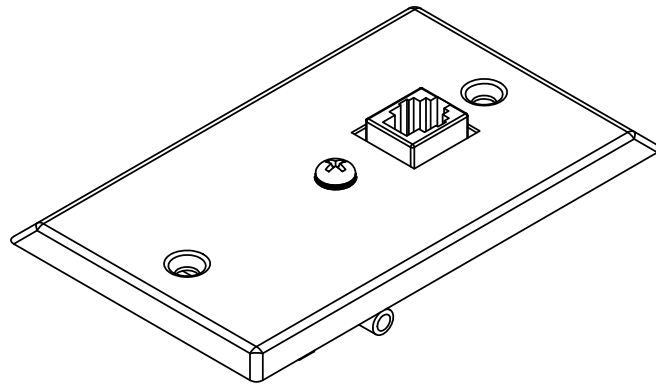


THE INFORMATION CONTAINED IN THIS DRAWING IS THE SOLE PROPERTY OF L-COM, INC. ANY REPRODUCTION IN PART OR WHOLE WITHOUT THE WRITTEN PERMISSION OF L-COM, INC. IS PROHIBITED.

REVISIONS			
REV	DESCRIPTION	DATE	APPROVED
A	INITIAL RELEASE	10/18/11	B.PUCHASKI



(2) MOUNTING SCREWS INCLUDED

PUNCH DOWN

GROUND LUG

BACK VIEW

RoHS Compliant ✓

NOTES:
 PACKAGING:
 COMPONENT SHALL BE PACKAGED IN ACCORDANCE WITH L-COM SPEC PKG-00012
 - ALL DIMENSION FOR REFERENCE -

UNLESS OTHERWISE SPECIFIED, DIMENSIONS ARE IN INCHES [mm] DIMENSIONAL TOLERANCES: .X = ±.1 .XX = ±.01 .XXX = ±.005 ANGULAR TOLERANCES: ALL = ± 1° PROJECTION 	APPROVALS	DATE		45 BEECHWOOD DRIVE NORTH ANDOVER, MA 01845	
	DRAWN BY B.PUCHASKI	10/18/11			
	CHECKED BY K.BURGNER	10/18/11	CATEGORY	LIGHTNING PROTECTORS	
	APPROVED BY K.BURGNER	10/18/11	PRODUCT DESCRIPTION	WALL MOUNT DSL / TEL SURGE PROTECTOR RJ11/PUNCH DOWN	
	CONFIGURATION DETAILS OF UNDIMENSIONED FEATURES MAY VARY	SIZE A	FSCM NO. 43321	DWG. NO. WPDTP	REV. A
	COLOR VARIATIONS MAY OCCUR	SCALE: NONE		CAD FILE: WPDTP.SLDDRW	SHEET 1 OF 1