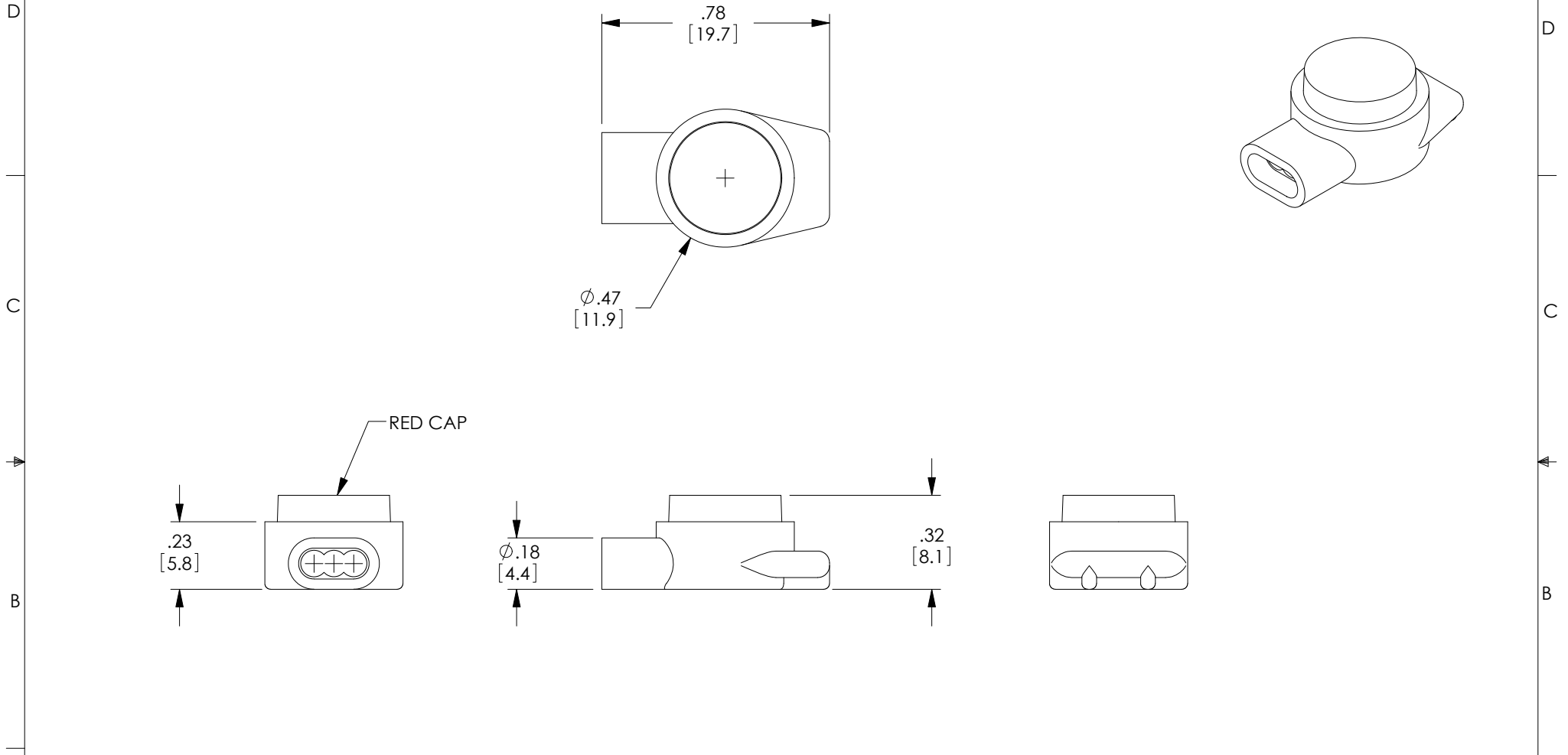



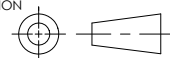
THE INFORMATION CONTAINED IN THIS DRAWING IS THE SOLE PROPERTY OF L-COM, INC. ANY REPRODUCTION IN PART OR WHOLE WITHOUT THE WRITTEN PERMISSION OF L-COM, INC. IS PROHIBITED.

REVISIONS			
REV	DESCRIPTION	DATE	APPROVED
A	INITIAL RELEASE	8/24/11	D.FRISIELLO



NOTES:
 WIRE GAUGE: 19-26 AWG WITH .066 INSULATION DAIMETER MAX.
 ALL DIMENSIONS ARE FOR REFERENCE ONLY.
 COMPONENT SHALL BE PACKAGED IN QAUNTITY OF 100.

RoHS Compliant ✓

UNLESS OTHERWISE SPECIFIED, DIMENSIONS ARE IN INCHES [mm] OVERALL CABLE LENGTH TOLERANCE: ≤12 [305] = +1 [25] / -0 >12 [305] ≤60 [1524] = +2 [51] / -0 >60 [1524] ≤120 [3048] = +4 [102] / -0 >120 [3048] ≤300 [7620] = +6 [152] / -0 >300 [7620] = +3% / -0%	APPROVALS	DATE	 45 BEECHWOOD DRIVE NORTH ANDOVER, MA 01845
	DRAWN BY D.FRISIELLO	8/24/11	
ALL OTHER DIMENSIONAL TOLERANCES: .X = ± .2 .XX = ± .02 .XXX = ±.005	CHECKED BY J.RUST	8/24/11	CATEGORY TELECOM/MODULAR
	APPROVED BY D.GALLAGHER	8/24/11	
PROJECTION 	CONFIGURATION DETAILS OF UNDIMENSIONED FEATURES MAY VARY	PRODUCT DESCRIPTION 3-WIRE BUTT SPLICE -GEL FILLED	
COLOR VARIATIONS MAY OCCUR	SIZE A	FSCM NO. 43321	DWG. NO. WT-UR
SCALE: NONE		CAD FILE: WT-UR.SLDDRW	
SHEET 1 OF 1			REV. A