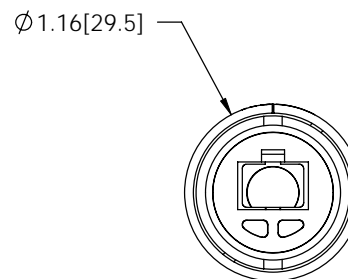
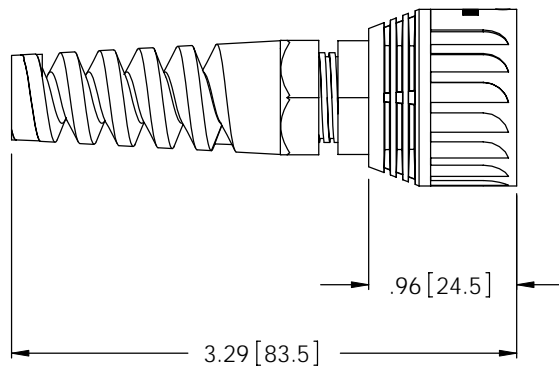
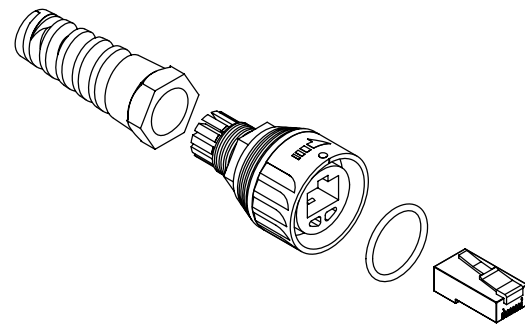
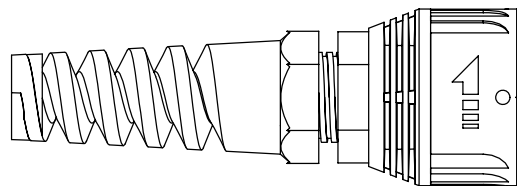


THE INFORMATION CONTAINED IN THIS DRAWING IS THE SOLE PROPERTY OF L-COM, INC. ANY REPRODUCTION IN PART OR WHOLE WITHOUT THE WRITTEN PERMISSION OF L-COM, INC. IS PROHIBITED.

REVISIONS			
REV	DESCRIPTION	DATE	APPROVED
A	INITIAL RELEASE	04/20/07	C.BERUBE

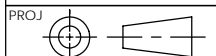


NOTES:

MATERIAL
HOUSING/NUT: THERMOPLASTIC
GASKET: RUBBER

MISCELLANEOUS
ASSEMBLY TO BE INDIVIDUALLY PACKED IN A POLYBAG
ASSEMBLY TO BE ROHS COMPLIANT
ALL DIMS ARE REFERENCE ONLY
KIT IS SHIPPED UN-ASSEMBLED

DIMENSIONS ARE IN INCHES [mm]
UNLESS OTHERWISE SPECIFIED,
TOLERANCES TO BE:
.X ± 1 [25] ANGLES ± 2°
.XX ± 0.1 [25]
.XXX ± 0.05 [13]
OVERALL CABLE LENGTH TOL:
≤ 60 [1524] +3 [76.2] / - 0
> 60 [1524] +5% / -0%



APPROVALS	DATE
DRAWN BY C.BERUBE	02/21/07
CHECKED BY D.Gallagher	04/20/07
APPROVED BY D.Gallagher	04/20/07

CONFIGURATION DETAILS OF
UNDIMENSIONED FEATURES
MAY VARY

L-com CONNECTIVITY PRODUCTS		45 BEECHWOOD DRIVE NORTH ANDOVER, MA 01845	
CATEGORY		MODULAR	
PRODUCT DESCRIPTION		PL-1300 SERIES PLUG KIT	
SIZE A	FSCM NO. 43321	DWG. NO. WT6788F	REV. A
SCALE: NONE		CAD FILE: WT6788F.SLDDRW	SHEET 1 OF 1