

HyperLink brand Weatherproof Lightning Surge Protector for AC Control Lines

Applications

- AC Control Lines

Features

- 3-Stage protection
- Standard models for 12V, 24V and 48V AC applications
- Removable screw terminal strips
- Gasketed cover and concealed mounting holes
- Ground clamp provided on outside of enclosure



Standard Models

| | |
|--------------------------|--|
| Model: AL-D8-12AC | Application: 12V AC Control Lines |
| Model: AL-D8-24AC | Application: 24V AC Control Lines |
| Model: AL-D8-48AC | Application: 48V AC Control Lines |

Description

The AL-D8 AC series of high power 3-stage lightning surge protectors provides superior protection of control lines from transients and surges. These units will protect 8 individual single ended AC control lines. The first stage is comprised of a spark gap. The second stage is a failsafe fuse and the final stage is a Metal Oxide Varistor (MOV). The unit limits the positive and negative voltage swing on the line to the Varistor voltage rating. Call for different Fuse and Varistor ratings. Use the AL-D8 DC series if uni-polar voltage swing is required. For more complete surge protection of control lines, the use of two units is recommended, one at each end of the line.

These units feature a weatherproof ABS enclosure with gasketed cover and concealed mounting holes. Removable Terminal Strips are provided on the input and output for convenience. To ease installation, the terminal strips can be removed. A ground clamp provides a tie point for earth ground.

Specifications

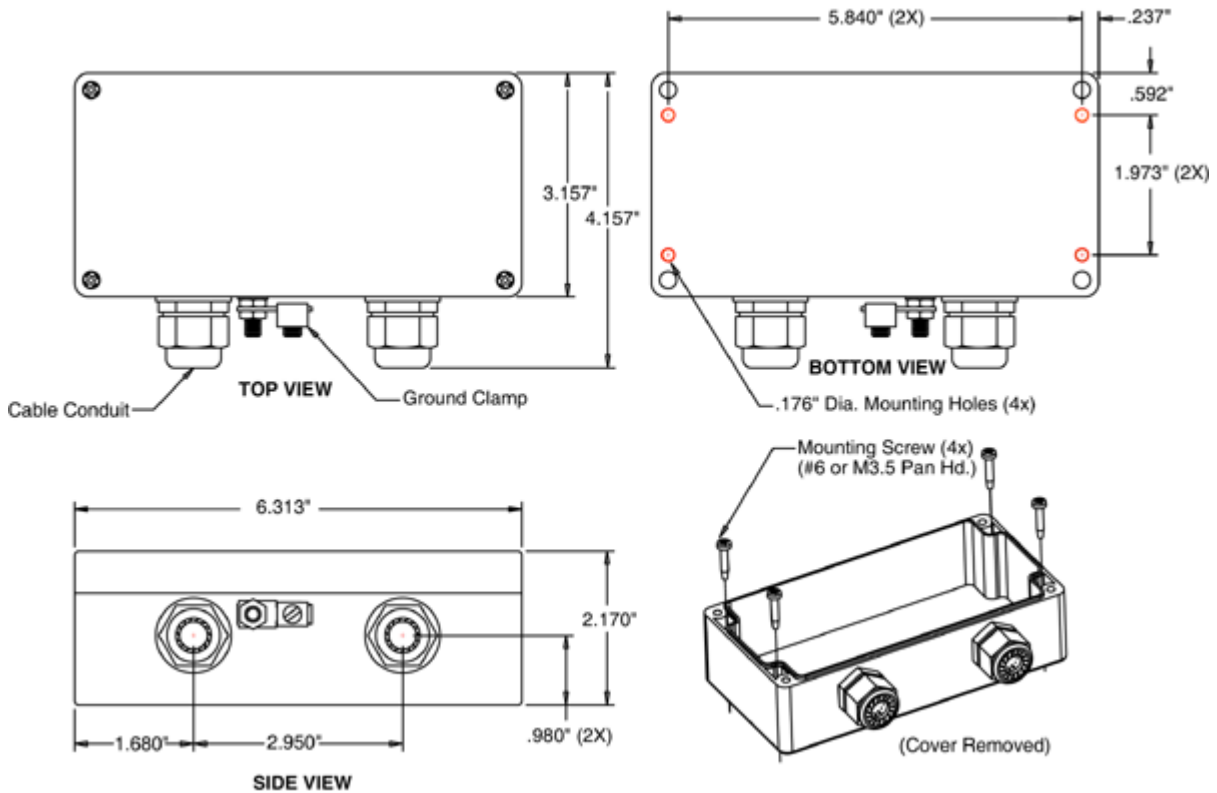
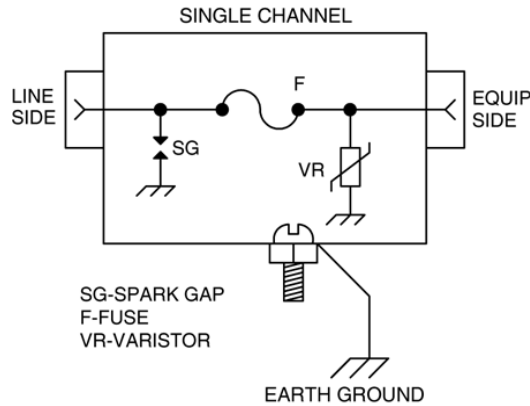
Electrical Specifications

| | | | |
|-------------------|-----------------------------|-------------------|-------------------|
| Models: | AL-D8-12AC | AL-D8-24AC | AL-D8-48AC |
| Lines | 8 | | |
| Connectors | 2 Removable Terminal Strips | | |
| Stage 1 | Spark Gap | | |
| Stage 2 | 1 Amp Fuse | | |
| Stage 3 | 18 Volt Varistor | 33 Volt Varistor | 68 Volt Varistor |

Mechanical Specifications

| | |
|------------------------------|--|
| Enclosure | Dark Gray ABS |
| Grounding Clamp | 10 AWG Max. |
| Operating Temperature | -40 C (-40 F) to +80 C (+176 F) |
| Weight | .38 lbs. (.17 kg) |
| Dimensions | 6.3 x 3.15 x 2.17 (inches) 160 x 80 x 55 (mm) |

AL-D8-xxAC



Guaranteed Quality

This product is backed by L-com's Limited Warranty.