

Single Port CAT5 Passive Power Over Ethernet (PoE) Midspan/Injector w/ Integral Surge Protection Model: BT-CAT5-P1J

Applications

- Wireless LAN access points and bridges
- Wired switches
- IP Surveillance cameras
- VoIP (Voice Over Internet Protocol) telephones

Features

- Lightning and surge protection on data and power lines
- Industrial grade case aluminum housing
- Shielded RJ45 jacks EMI noise suppression
- Available individually or in kits with power supplies



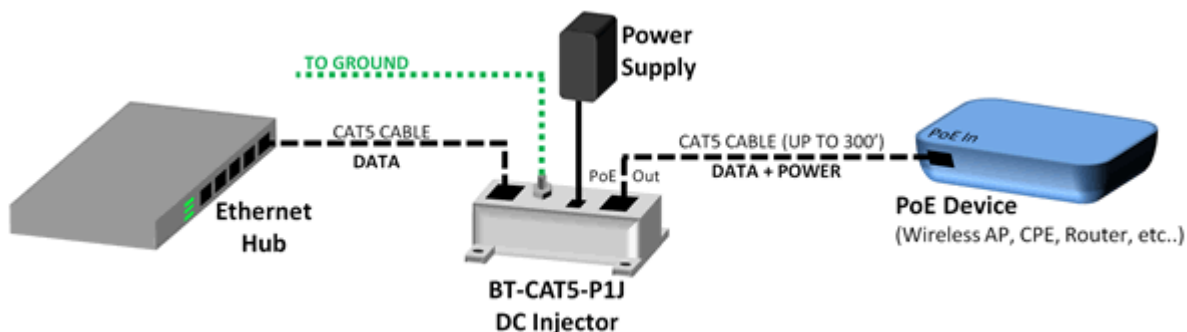
Description

The BT-CAT5-P1J Single-Port CAT5 PoE Midspan/Injector (also known as PoE Passive Splitter or Tap) is a commercial grade Power-over-Ethernet device that supplies power for a 10/100 Base-T Power-over-Ethernet, PoE equipped network device. It is compatible with a Power Device (PD) that support the IEEE 802.3af standard PoE power feed using Mode B (Pins 4/5 and 7/8). Additionally, the unit supports both positive and negative DC as well as AC power up to 55 volts. Only a single Ethernet cable is run to each Network Appliance instead of separate power and data cables. Power-over-Ethernet eliminates the need for an AC outlet to be installed.

Integral Medium Power Surge Protection

The BT-CAT5-P1J features integral surge protection for the data and power feeds. The unit eliminates the need for an external surge protector and is designed to provide protection for expensive indoor equipment. The design provides protection for both common and differential mode surges. This unit can also be used as a standalone lightning surge protector.

The BT-CAT5-P1J features shielded RJ45 jacks. This along with the BT-CAT5-P1J's metal housing helps reduce the effects of EMI interference. A ground lug and terminal is located directly on the injector housing providing superior grounding. The cast aluminum housing includes integral mounting feet for ease of installation.



Specifications

Mechanical Specifications

Weight	.28 lbs. (.13 kg)
Dimensions	3.6 x 1.4 x 1.2 in. (91.4 x 35.5 x 38.1 mm)
Enclosure	Cast Aluminum Alloy
RoHS Compliant	Yes (Injector only)

Electrical Specifications

Operating Voltage	55 Volts max
Max Current	1 Amp
Power Connector	2.5mm Coaxial DC Power Jack (2.5mm x 5.5mm x 10mm)
Ethernet Connectors	(2) RJ45 Jack
Data Lines	Pair 1: Pins 1 and 2 Pair 2: Pins 3 and 6
CAT-5 Power Pinouts	+VDC: Pins 4/5 -VDC: Pins 7/8
Operating Temp	-40° C to +70° C (-40° F to +158° F)

