

Reverse Polarity Single Port CAT5 Passive Power Over Ethernet (PoE) Midspan/Injector Model: BT-CAT5-P1R

Applications

- Wireless LAN access points and bridges
- Wired switches
- IP Surveillance cameras
- VoIP (Voice Over Internet Protocol) telephones

Features

- Compatible with Cisco Aironet® 1100 & 1200 Series APs and other Reverse Polarity PoE equipment
- Lightning and surge protection on data and power lines
- Industrial grade case aluminum housing
- Shielded RJ45 jacks EMI noise suppression
- Available individually or in kits with power supplies



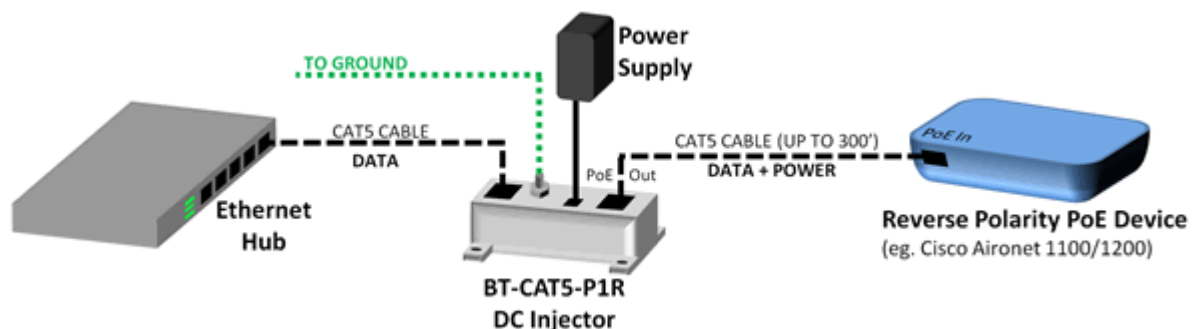
Description

The HyperLink BT-CAT5-P1R Single-Port CAT-5 Midspan/Injector (also known as PoE Passive Splitter) is a commercial grade Power-over-Ethernet device that provides DC power for one PoE-equipped device. It is compatible with Cisco Aironet® 1100 and 1200 series access points and other equipment supporting reverse polarity PoE pinout (Pins 4 and 5: Power - / Pins 7 and 8: Power +).

Power-over-Ethernet eliminates the need for an AC outlet at each AP location. Only a single Ethernet cable is run to each AP instead of separate power and data cables. The injector is typically installed near the Ethernet hub.

The integral lightning and surge protection individually protects the 4 data lines as well as protection for the power lines. High speed devices clamp any voltage, positive or negative on the wires. The limits are +/- 15 volts on pins, 1, 2, 3, 6 and +/- 58 volts on pins, 4, 5, 7 and 8.

The BT-CAT5-P1R features shielded RJ45 jacks. This along with the BT-CAT5-P1R's metal housing helps reduce the effects of EMI interference. A ground lug and terminal is provided directly on the injector housing providing superior grounding. The cast aluminum housing includes integral mounting feet for ease of installation.



Specifications

Mechanical Specifications

Weight	.28 lbs. (.13 kg)
Dimensions	3.6 x 1.4 x 1.2 in. (91.4 x 35.5 x 38.1 mm)
Enclosure	Cast Aluminum Alloy
RoHS Compliant	Yes (Injector only)

Electrical Specifications

Operating Temp - Injector	-40° C to +70° C
Operating Temp - Power Supply	0° C to +50° C
Max Current	1 A
Power Connector	Standard 2.5mm Coaxial DC Power Jack (2.5mm x 5.5mm x 10mm Center Positive Plug Required)
Ethernet Connectors	(2) RJ45 Jack
Data Lines	Pair 1: Pins 1 and 2 Pair 2: Pins 3 and 6
CAT-5 Power Pinouts	- VDC: Pins 4 & 5 + VDC: Pins 7 & 8

