

HyperLink Brand Outdoor Passive Power-Over-Ethernet (PoE) Midspan/Injector w/ Integral High Power CAT5E Surge Protection

Model: BT-CAT5E-P1-HPW

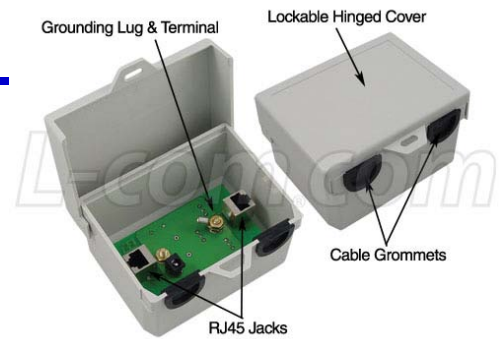
Applications & Features

Applications:

- Wireless LAN Access Points and Bridges
- IP Surveillance Cameras
- Wired Switches
- Wireless LAN Amplifiers

Features:

- CAT5e and CAT5 compatibility
- Surge Protection on all lines
- GR-1089 Intra-Building rated
- Cable shield isolated from safety ground
- Impact and weather resistant enclosure with lockable hinged cover



Description

The BT-CAT5E-P1-HPW Single-Port CAT5E Midspan/Injector (also known as PoE Passive Splitter) is a commercial grade Power-over-Ethernet device that provides DC or AC power for one indoor/outdoor 10/100 Base-T Ethernet Power-over-Ethernet, PoE equipped Network Appliance device. It is compatible with devices that support the IEEE 802.3af standard PoE power feed using Mode B (Pins 4/5 and 7/8). The unit supports both positive and negative DC as well as AC power up to 60 volts. Power-over-Ethernet eliminates the need for an AC outlet at each AP location. Only a single Ethernet cable is run to each AP instead of separate power and data cables.

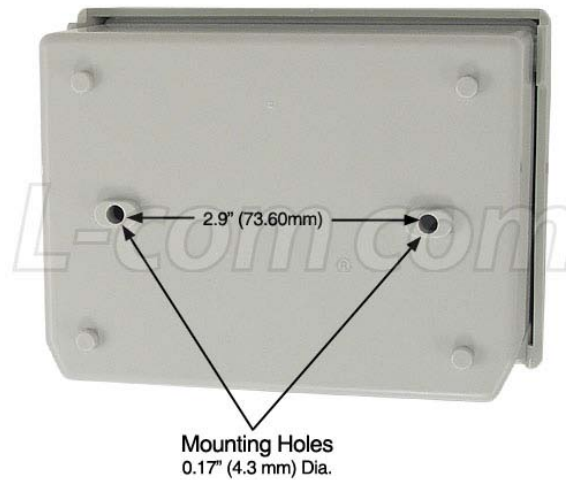
Integral High Power Surge Protection

The BT-CAT5E-P1-HPW features integral surge protection for the data and power feeds for networks. The unit has low Line to Line and Line to Ground capacitance to minimize distortion of high-speed signals. The unit eliminates the need for an external surge protector and is designed to provide protection for expensive indoor equipment. The design provides protection for both common and differential mode surges. The BT-CAT5E-P1-HPW has been designed to meet the GR-1089 Intra-Building surge protection requirements for 10/100 Base-T Ethernet lines. In addition, the unit is compatible with 802.3af Power-over-Ethernet (PoE) Network Appliance devices. The BT-CAT5E-P1-HPW isolates the cable shield from the safety ground. This minimizes the chance of a ground loop being introduced. This unit can also be used as a stand alone lightning surge protector.

The BT-CAT5E-P1-HPW features shielded RJ45 jacks which helps reduce the effects of EMI interference. A ground lug and terminal is provided directly on the injector providing superior grounding. The compact weather resistant housing features a lockable hinged cover and mounting holes are provided on the rear of the enclosure for mounting. The two cable grommets may be adjusted to cable size and are removable.

This unit is available individually or as in a kit version featuring either a 48VDC @ 48 Watt or a 48VDC @ 70 Watt power supply.

Note: Power supplies are for use either indoors or in weather resistant enclosures.



Specifications

Electrical Specifications

Max Voltage	60 Volts AC/DC
Max Current	1.5 A
Power Connector	Standard 2.5mm Coaxial DC Power Jack (2.5mm x 5.5mm x 10mm)
Ethernet Connectors	(2) Shielded RJ45 Jacks
Data Lines	Pair 1: Pins 1 and 2 Pair 2: Pins 3 and 6
Power Lines	+/- VDC: Pins 4 & 5 +/- VDC: Pins 7 & 8
Data Clamping Voltage	Wire – Wire: +/- 15 Volts, Wire – Ground: +/- 90 Volts
Power Clamping Voltage	+/- 80 Volts
Shield Clamping Voltage	+/- 90 Volts

Mechanical Specifications

Enclosure Material	Polycarbonate
Enclosure Color	Gray
Ground Lug	(2) 12 AWG Max.
Operating Temp - Injector	-40° C to +70° C
Weight	.40 lbs. (.18 kg)
Dimensions	4.75 x 4.06 x 2.81 in (120.6 x 103.1 x 71.3 mm)
RoHS Compliant	Yes

BT-CAT5E-P1-HPW

