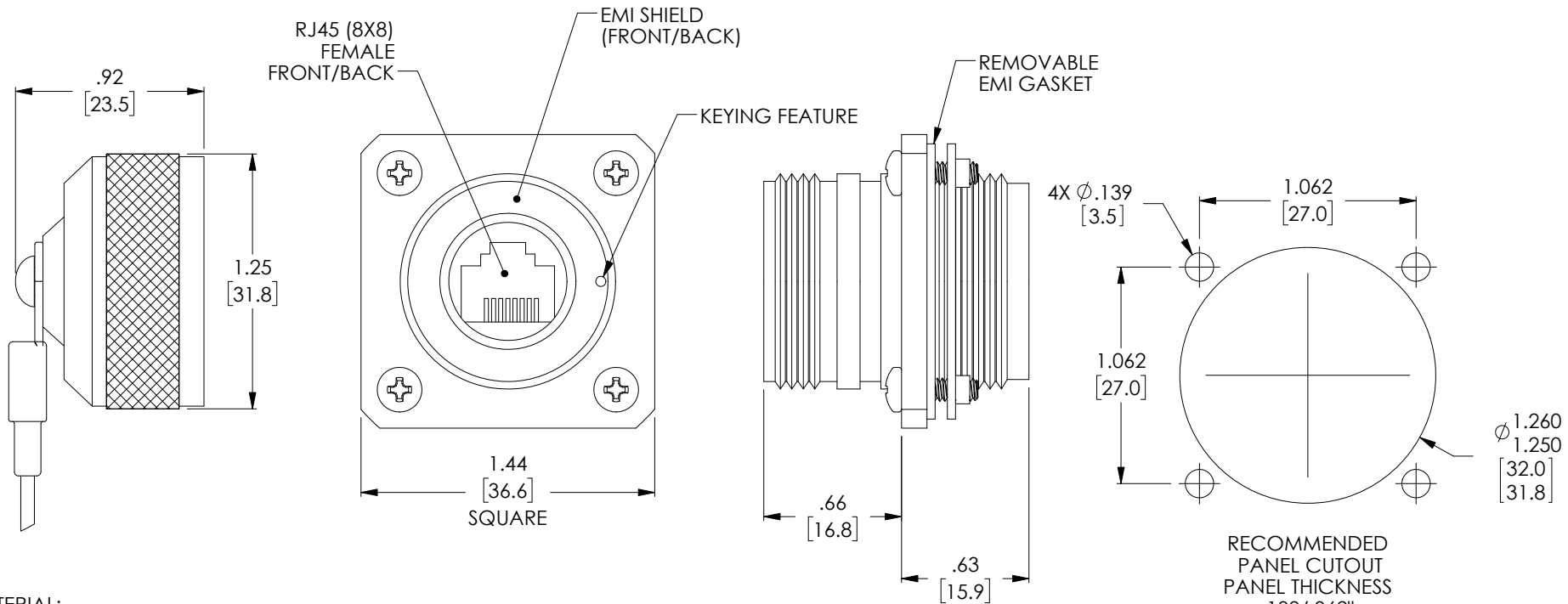


THE INFORMATION CONTAINED IN THIS DRAWING IS THE SOLE PROPERTY OF L-COM, INC. ANY REPRODUCTION IN PART OR WHOLE WITHOUT THE WRITTEN PERMISSION OF L-COM, INC. IS PROHIBITED.

REVISIONS			
REV	DESCRIPTION	DATE	APPROVED
A	INITIAL RELEASE	2/9/18	D.FRISIELLO



NOTES:

- MATERIAL:**
 EXTERNAL PARTS: ALUMINUM/ELECTROLESS NICKEL, (BLACK)
 INTERNAL PARTS: ALUMINUM
 MISC. HARDWARE: STAINLESS STEEL
 SEALS: SILICONE/NITRILE
 LANYARD: STAINLESS STEEL (NYLON COAT)
 LENGTH APPROXIMATELY 6.0"
- RATED IP-68.**
 PERFORMANCE MEETS OR EXCEEDS CATEGORY 6 ANSI/EIA 568-C.
- KIT INCLUDES:**
 (1) DUST CAP WITH LANYARD
 (1) MOUNTING BRACKET WITH (4) SELF-LOCKING NUTS
 (1) GASKET
 (4) SCREWS, PPH, SS, #4-40 X .375, SELF-SEALING
- ALL DIMENSIONS ARE FOR REFERENCE ONLY.**
- COMPONENT SHALL BE INDIVIDUALLY PACKAGED IN ACCORDANCE WITH L-COM SPECIFICATION LSP-010-1. SHIPS UNASSEMBLED.**

REGULATORY COMPLIANCE:
 CE2011/65/EU(RoHS DIRECTIVE)

UNLESS OTHERWISE SPECIFIED, DIMENSIONS ARE IN INCHES [mm] OVERALL CABLE LENGTH TOLERANCE: ≤12 [305] = +1 [25] / -0 >12 [305] ≤60 [1524] = +2 [51] / -0 >60 [1524] ≤120 [3048] = +4 [102] / -0 >120 [3048] ≤300 [7620] = +6 [152] / -0 >300 [7620] = +5% / -0%	APPROVALS	DATE		50 HIGH STREET NORTH ANDOVER, MA 01845		
	DRAWN BY D.FRISIELLO	2/6/18		CATEGORY TELECOM/MODULAR		
ALL OTHER DIMENSIONAL TOLERANCES: .X = ± .2 [5.08] .XX = ± .02 [1.51] .XXX = ±.005 [1.13]	CHECKED BY D.GUITADAURO	2/9/18	PRODUCT DESCRIPTION C6 FLNG MNT SHLD SEALED EN W/DUST CAP			
	APPROVED BY D.GUITADAURO	2/9/18				
PROJECTION 	CONFIGURATION DETAILS OF UNDIMENSIONED FEATURES MAY VARY	COLOR VARIATIONS MAY OCCUR	SIZE A	FSCM NO. 43321	DWG. NO. ECSH3109U00	REV. A
SCALE: NONE			CAD FILE: EC3H3109U00.SLDDRW		SHEET 1 OF 1	