

Reverse Polarity TNC Female Connector Crimp/Non-Solder Contact Attachment for LMR-200, LMR-200-DB, LMR-200-FR, and 200-Series Cable



**EZ-200-TFRP**



**Times Microwave Systems Connector Specification**

**Configuration**

- TNC Female Reverse Polarity Connector
- 50 Ohms
- Straight Body Geometry
- LMR-200, LMR-200-DB, LMR-200-FR, 200-Series Interface Type
- Crimp/Non-Solder Contact Attachment

**Features**

- Designed to industry standard interface dimensions
- Quality body materials and plating
- Crimp/Non-Solder Contact attachment
- Operates to 3 GHz

**Applications**

- RF Boxes and components
- RF Test systems
- General Purpose RF Interconnect
- Laboratory applications

**Description**

L-com’s TNC Female connector for LMR-200, LMR-200-DB, LMR-200-FR and 200-Series coax uses a Crimp/Non-Solder Contact attachment method. This TNC connector is one of the many RF coaxial connectors in L-com’s product line up and like all our products, they will ship the same day. Our TNC Female connector operates up to a maximum frequency of 3 GHz.

The specifications and a basic dimensional drawing for EZ-200-TFRP Female TNC connector can be found in this datasheet PDF. L-com’s portfolio of RF and microwave connectors allows users to choose from a large number of options when building assemblies to fit their RF interconnect needs. RF cables can be created to fulfill many interconnect applications ranging from In the Box hookup, test equipment connectivity or as part of a system installation. In addition to an offering of RF connectors and coaxial cable L-com offers both standard and custom cable assemblies to fit a customer’s specific needs.

**Electrical Specifications**

Description	Minimum	Typical	Maximum	Units
Frequency Range	DC		3	GHz
VSWR			1.25:1	
Insertion Loss			0.17	dB
Operating Voltage (AC)			500	Vrms

**Mechanical Specifications**

**Size**

Length	1.26in	[32mm]
Width/Dia.	0.57in	[14.48mm]
Weight	0.032lbs	[14.51g]

Click the following link (or enter part number in “SEARCH” on website) to obtain additional part information including price, inventory and certifications: [Reverse Polarity TNC Female Connector Crimp/Non-Solder Contact Attachment for LMR-200, LMR-200-DB, LMR-200-FR, and 200-Series Cable EZ-](#)

Reverse Polarity TNC Female Connector Crimp/Non-Solder Contact Attachment for LMR-200, LMR-200-DB, LMR-200-FR, and 200-Series Cable



**EZ-200-TFRP**



**Material Specifications**

Description	Material	Plating
Contact	Beryllium Copper	Gold
Insulation	PTFE	
Outer Conductor	Brass	Tri-Metal
Body	Brass	Tri-Metal

**Environmental Specifications**

**Compliance Certifications** (see [product page](#) for current document)

**Plotted and Other Data**

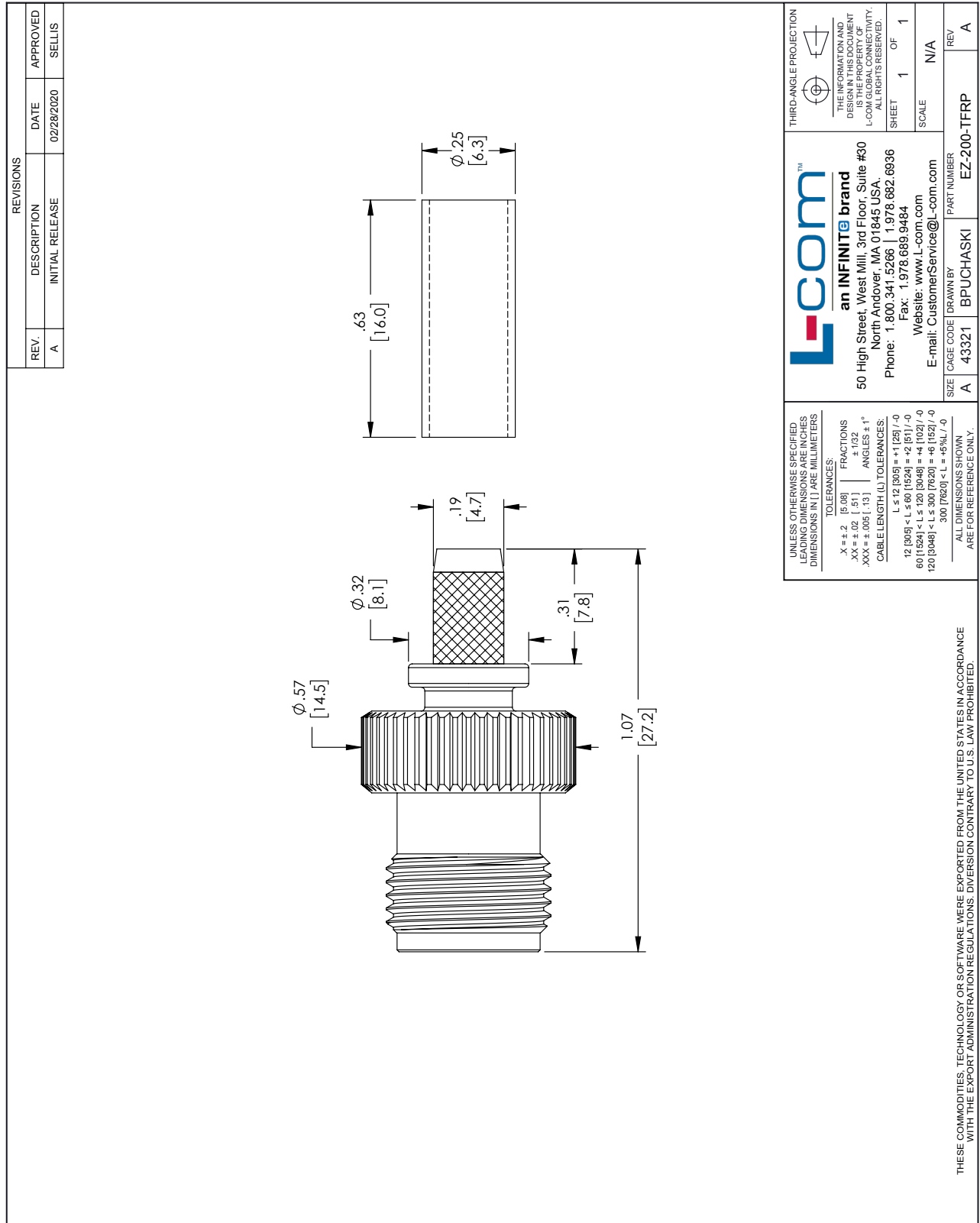
Reverse Polarity TNC Female Connector Crimp/Non-Solder Contact Attachment for LMR-200, LMR-200-DB, LMR-200-FR, and 200-Series Cable from L-com has same day shipment for domestic and International orders. Our portfolio includes coaxial cable assemblies, connectors, adapters and custom products as well as lightning and surge protectors, NEMA rated enclosures, and an RF product line which includes antennas, amplifiers, passive, and active components. Click the following link (or enter part number in "SEARCH" on website) to obtain additional part information including price, inventory and certifications: Reverse Polarity TNC Female Connector Crimp/Non-Solder Contact Attachment for LMR-200, LMR-200-DB, LMR-200-FR, and 200-Series Cable EZ-200-TFRP

URL: <https://www.l-com.com/Reverse-Polarity-TNC-Female-Connector-Crimp-Non-Solder-Contact-Attachment-for-LMR-200-LMR-200-DB-LMR-200-FR-200-Series-Cable-EZ-200-TFRP-p.aspx>

The information contained within this document is accurate to the best of our knowledge and representative of the part described herein. It may be necessary to make modifications to the part and/or the documentation of the part in order to implement improvements. L-com reserves the right to make such changes as required. Unless otherwise stated, all specifications are nominal. L-com does not make any representation or warranty regarding the suitability of the part described herein for any particular purpose, and L-com does not assume liability arising out of the use of any part or document. The information contained within this document is accurate to the best of our knowledge and representative of the part described herein. It may be necessary to make modifications to the part and/or the documentation of the part in order to implement improvements. L-com reserves the right to make such changes as required. Unless otherwise stated, all specifications are nominal. L-com does not make any representation or warranty regarding the suitability of the part described herein for any particular purpose, and L-com does not assume liability arising out of the use of any part or document.

# Reverse Polarity TNC Female Connector Crimp/Non-Solder Contact Attachment for LMR-200, LMR-200-DB, LMR-200-FR, and 200-Series Cable

## L-com CAD Drawing



T-Rev.D