

Fiber Optic Sensor Amplifier - Single output PNP with light compensation



FOACAMPC1PH

Fiber Optic Sensor Amplifier

Features

- Single PNP output
- Automatic light compensation
- Teaching mode
- Customized sensing distance
- Dual digital display
- Adjustable response time

Applications

- Industrial automation
- Discrete manufacturing
- High volume production
- Automotive manufacturing
- Stamping and plastic injection molding
- Packaging
- Food and Beverage
- Warehouse automation

Description

The L-com FOACAMPC1PH is a high speed, single (PNP) output fiber optic sensor Amplifier, also referred to as a fiber sensor. Featuring light compensation technology, the amplifier can account for dusty conditions, ensuring accuracy is maintained. Typically mounted to a DIN rail, the unit comes with an adapter for easy mounting to a wall or panel. The easy-to-read dual digital display allows for simultaneous viewing of signal and threshold levels, making for convenient setup and performance at a glance. Fast response time allows for detecting small objects. Used in conjunction with L-com fiber optic sensor cables, the resulting optical sensor is well suited for use in manufacturing and other industrial applications where fast, accurate sensing is critical. The L-com FOACAMPC1PH is part of the IoT portfolio of products available from L-com, in-stock and ready to ship. Contact our knowledgeable technical support and sales staff for more information on this, and other IoT products from L-com.

General Specifications

Design Type	Single PNP with auto compensation
Detection Method	Light Intensity
Ports	2x 2.2mm diameter
Channels	1
Amplifier Output Selection	Light-On / Dark-On
Light Source Red	660 nm
Amplifier Output Type	Single PNP
Supply Voltage	12-24 VDC (± 10%)
Cable Length	2 m
Compatible Products	Fiber Optic Sensor Cables

(For more information please consult User Guide)

Mechanical Specifications

Length	2.83 in [71.88 mm]
Width	0.41 in [10.41 mm]
Height	1.36 in [34.54 mm]
Weight	0.11 lbs [49.9 g]
Electrical Connection	Flying leads
Mount Type	DIN Rail / Wall Mount

Click the following link (or enter part number in "SEARCH" on website) to obtain additional part information including price, inventory and certifications:
[Fiber Optic Sensor Amplifier - Single output PNP with light compensation FOACAMPC1PH](#)

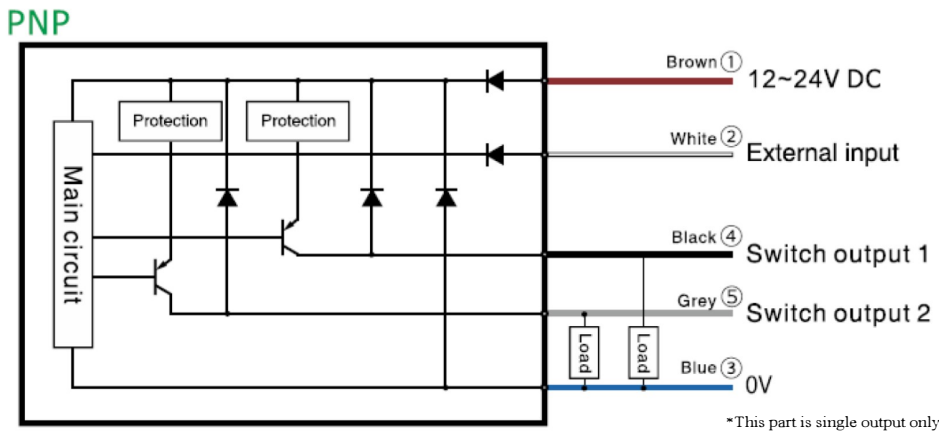
Fiber Optic Sensor Amplifier - Single output PNP with light compensation



FOACAMPC1PH

Fiber Optic Sensor Amplifier

Circuit Diagram



Environmental Specifications

Temperature

Operating Range	-25 to +55 deg C
Storage Range	-30 to +70 deg C

Humidity

Operating Relative	35% to 85%
--------------------	------------

Compliance Certifications (see for current document)

CE Compliance	Yes
RoHS Compliance	Yes

Fiber Optic Sensor Amplifier - Single output PNP with light compensation from L-com has same day shipment for domestic and International orders. Our portfolio includes coaxial cable assemblies, connectors, adapters and custom products as well as lightning and surge protectors, NEMA rated enclosures, and an RF product line which includes antennas, amplifiers, passive, and active components.

For more information, see user manual: https://www.l-com.com/Images/Downloadables/Manuals/M_FOACAMPC1PH.pdf

The information contained within this document is accurate to the best of our knowledge and representative of the part described herein. It may be necessary to make modifications to the part and/or the documentation of the part in order to implement improvements. L-com reserves the right to make such changes as required. Unless otherwise stated, all specifications are nominal. L-com does not make any representation or warranty regarding the suitability of the part described herein for any particular purpose, and L-com does not assume liability arising out of the use of any part or document.

Fiber Optic Sensor Amplifier - Single output PNP with light compensation

L-com CAD Drawing

