

Fiber Optic Sensor Cable, 2M Array-type, Diffuse Reflection, R25 POF with Rectangular Sensing End and 20 mm Wide Right Angle Beam Exit



FOACAMPD20MLS

Fiber Optic Sensor Cable

Features

- Durable aluminum head
- Flexible jacket
- Standard 2.2mm diameter ferrules
- Stable performance

Applications

- Industrial automation
- Discrete manufacturing
- High volume production
- Automotive manufacturing
- Stamping and plastic injection molding
- Packaging
- Food and Beverage
- Warehouse automation

Description

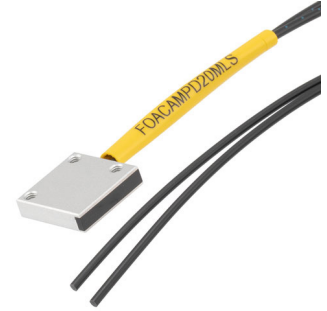
L-com's FOACAMPD20MLS fiber optic sensor cable is a diffuse reflection type optical cable. This 2M (meter) fiber optic sensor cable is in stock and ready to ship on the same business day of the order. Our black diffuse reflection sensor cable has a durable aluminum head, R25 bend radius, and flexible polyethylene jacket, which makes the cable well-suited for demanding industrial environments. The 2.2mm amplifier ends make this cable compatible with industry-standard amplifier ports, making interchanging quick and easy.

General Specifications

Type	Array
Design Type	Diffuse Reflection
Cable Type	POF
Jacket Type	PE Black
Sensing Distance	150 to 350 mm
Cable Length	2 m
Cable Head Material	Aluminum
Bend Radius	25 mm
Compatible Products	Fiber Optic Sensor Amplifiers
Detected Object	0.05mm
Number of Cores	32
Beam Exit	Right Angle
Cable Head Shape	Rectangular
Notes, Electrical/Optical	Minimum sensing distance with FOACAMPG1 amp, maximum sensing distance with FOACAMPC1 amp
Notes	Different amplifiers will impact sensing distance.

Click the following link (or enter part number in "SEARCH" on website) to obtain additional part information including price, inventory and certifications:
[Fiber Optic Sensor Cable, 2M Array-type, Diffuse Reflection, R25 POF with Rectangular Sensing End and 20 mm Wide Right Angle Beam Exit FO-](#)

Fiber Optic Sensor Cable, 2M Array-type, Diffuse Reflection, R25 POF with Rectangular Sensing End and 20 mm Wide Right Angle Beam Exit



FOACAMPD20MLS

Fiber Optic Sensor Cable

Environmental Specifications

Temperature

Operating Range -20 to +50 deg C

Storage Range -30 to +85 deg C

Humidity

Operating Relative 35% to 85%

Compliance Certifications

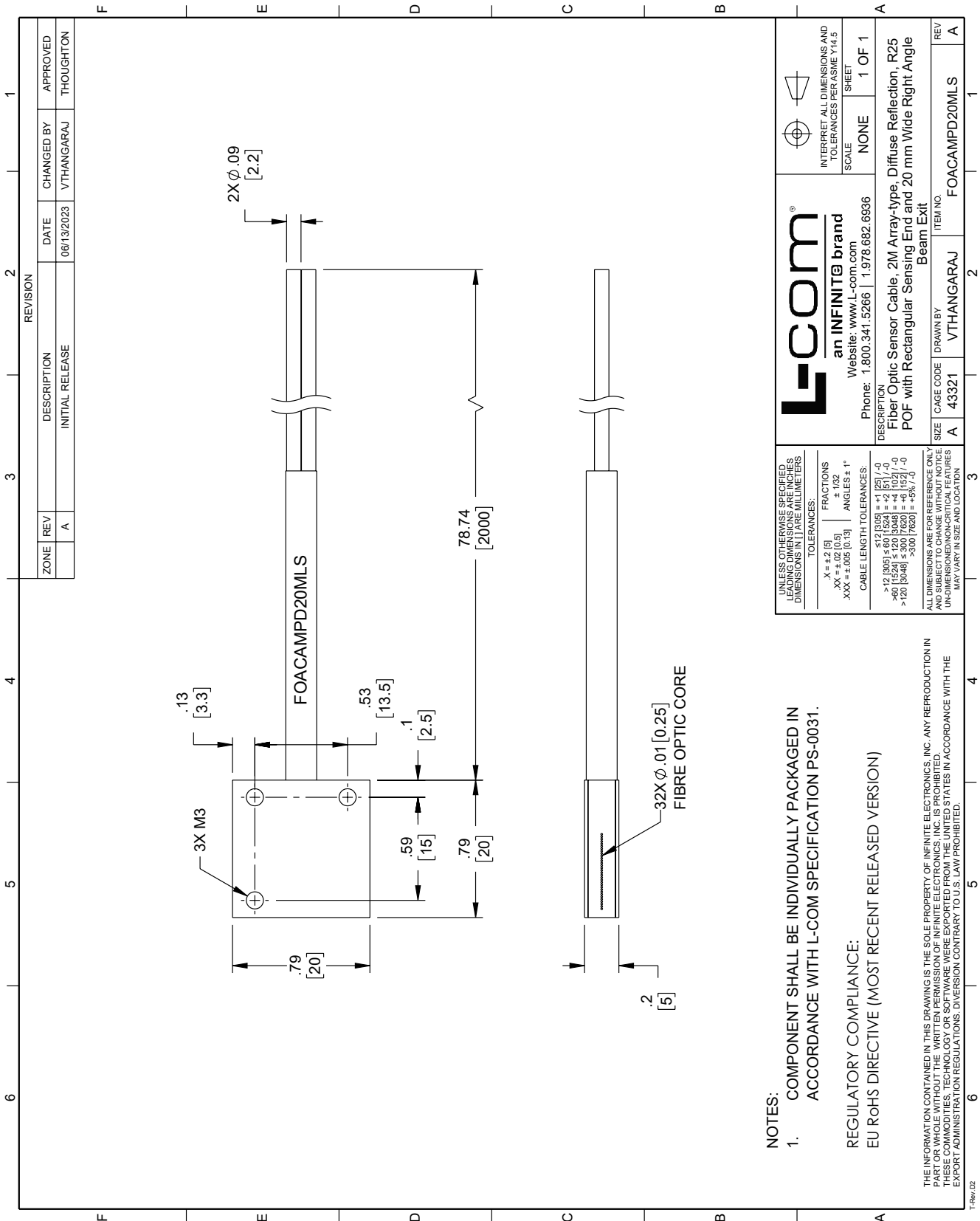
CE Compliance Yes

Fiber Optic Sensor Cable, 2M Array-type, Diffuse Reflection, R25 POF with Rectangular Sensing End and 20 mm Wide Right Angle Beam Exit from L-com has same day shipment for domestic and International orders. Our portfolio includes coaxial cable assemblies, connectors, adapters and custom products as well as lightning and surge protectors, NEMA rated enclosures, and an RF product line which includes antennas, amplifiers, passive, and active components.

The information contained within this document is accurate to the best of our knowledge and representative of the part described herein. It may be necessary to make modifications to the part and/or the documentation of the part in order to impliment improvements. L-com reserves the right to make such changes as required. Unless otherwise stated, all specifications are nominal. L-com does not make any representation or warranty regarding the suitability of the part described herein for any particular purpose, and L-com does not assume liability arising out of the use of any part or document.

Fiber Optic Sensor Cable, 2M Array-type, Diffuse Reflection, R25 POF with Rectangular Sensing End and 20 mm Wide Right Angle Beam Exit

L-com CAD Drawing



NOTES:
 1. COMPONENT SHALL BE INDIVIDUALLY PACKAGED IN ACCORDANCE WITH L-COM SPECIFICATION PS-0031.
 REGULATORY COMPLIANCE:
 EU RoHS DIRECTIVE (MOST RECENT RELEASED VERSION)

UNLESS OTHERWISE SPECIFIED, LEADING DIMENSIONS ARE IN INCHES. DIMENSIONS IN PARENTHESES ARE IN MILLIMETERS.

TOLERANCES:
 X = ±.2 [5] | FRACTIONS ± .152 | ANGLES ± 1°
 .XX = ±.02 [0.5] | .XXX = ±.005 [0.13]

CABLE LENGTH TOLERANCES:
 ≤12 [305] = +1 [25] / -0
 >12 [305] ≤ 60 [1524] = ±.2 [5] / -0
 >60 [1524] ≤ 300 [7620] = +.4 [10] / -0
 >120 [3048] ≤ 300 [7620] = +.6 [15] / -0
 >300 [7620] = +5% / -0

ALL DIMENSIONS ARE FOR REFERENCE ONLY. THIS DRAWING IS THE SOLE PROPERTY OF INFINITE ELECTRONICS, INC. ANY REPRODUCTION IN PART OR WHOLE WITHOUT THE WRITTEN PERMISSION OF INFINITE ELECTRONICS, INC. IS PROHIBITED. THESE COMMODITIES, TECHNOLOGY OR SOFTWARE WERE EXPORTED FROM THE UNITED STATES IN ACCORDANCE WITH THE EXPORT ADMINISTRATION REGULATIONS. DIVERSION CONTRARY TO U.S. LAW PROHIBITED.

L-com®
 an INFINIT® brand
 Website: www.L-com.com
 Phone: 1.800.341.5266 | 1.978.682.6936

INTERPRET ALL DIMENSIONS AND TOLERANCES PER ASME Y14.5
 SCALE NONE
 SHEET 1 OF 1

DESCRIPTION:
 Fiber Optic Sensor Cable, 2M Array-type, Diffuse Reflection, R25 POE with Rectangular Sensing End and 20 mm Wide Right Angle Beam Exit

REV	ITEM NO.	FOACAMPD20MLS
A	43321	
	DRAWN BY	VTHANGARAJ
	SIZE	A