

Fiber Optic Transceiver SFP+ 10G Ethernet, 220 m reach, 1310 nm



## FXC-SFPP10G-31-LRM

### Features

- Operating Data Rate up to 10.3125Gbps
- Distance Range 220m
- Pluggable SFP+ Duplex LC Connector
- Standard Operating Temperature
- MSA Compliant

### Applications

- 10GBASE-LR/LW
- 0.6 to 10Gbps CPRI/OBSAI

### Description

The L-com FXC-SFPP10G-31-LRM is an SFP+ form-factor transceiver, supporting 10G Ethernet data rates. The L-com FXC-SFPP10G-31-LRM features a 1310 nm transmitter and supports 220 m links over multimode fiber. The FXC-SFPP10G-31-LRM is an MSA-compliant transceiver, compatible with most switch and router platforms. The L-com FXC-SFPP10G-31-LRM features digital diagnostics for performance monitoring of the transceiver. The L-com FXC-SFPP10G-31-LRM SFP+ transceiver is one of thousands of fiber optic connectivity products available from L-com in-stock and ready to ship. Contact our knowledgeable technical support and sales staff for your answers on fiber optic connectivity or other L-com products.

### Configuration

Connector 1	LC
Connector Mode	Duplex
Compatibility	MSA

### Filter Specifications

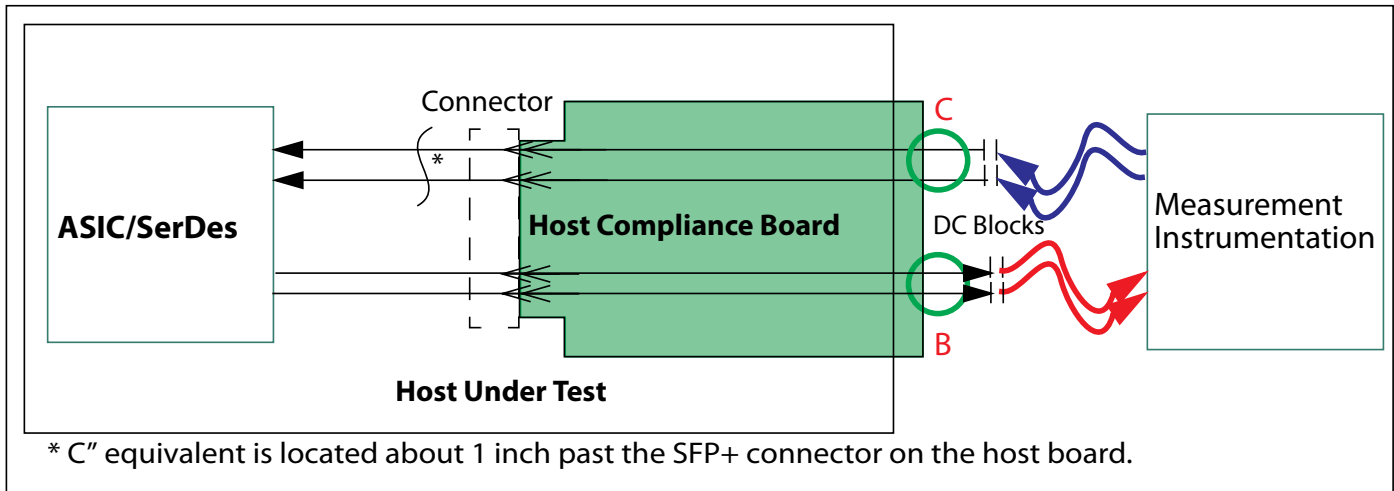
Description	Minimum	Typical	Maximum	Units
TX Center Wavelength	1,260	1,310	1,355	nm
TX Data Rate	0.6			Gbps
TX Spectral Width			3.5	nm
TX Average Output Power	-6.5		0.5	dBm
TX Extinction Ratio	3.5			dB
RX Center Wavelength	1,260		1,565	nm
RX Receiver Sensitivity			-10	dBm
RX Receiver Overload	1.5			dBm

Click the following link (or enter part number in "SEARCH" on website) to obtain additional part information including price, inventory and certifications:  
[Fiber Optic Transceiver SFP+ 10G Ethernet, 220 m reach, 1310 nm FXC-SFPP10G-31-LRM](#)

Fiber Optic Transceiver SFP+ 10G Ethernet, 220 m reach, 1310 nm



**FXC-SFPP10G-31-LRM**



**Figure 13 Host Compliance Board**

**Table 10 SFI Reference Points**

<i>Compliance point</i>	<i>Designation</i>
ASIC/SerDes output	A
Host output	B
Host input	C
ASIC/SerDes input	D
Module input	B'
Module output	C'
Module input calibration	B'' (double quotation)
Host input calibration	C'' (double quotation)

Fiber Optic Transceiver SFP+ 10G Ethernet, 220 m reach, 1310 nm



## FXC-SFPP10G-31-LRM

---

### Environmental Specifications

#### Temperature

Operating Range

0 to +70 deg C

Storage Range

-40 to +85 deg C

Notes:

**Compliance Certifications** (see [product page](#) for current document)

### Plotted and Other Data

Notes:

Fiber Optic Transceiver SFP+ 10G Ethernet, 220 m reach, 1310 nm from L-com has same day shipment for domestic and International orders. Our portfolio includes coaxial cable assemblies, connectors, adapters and custom products as well as lightning and surge protectors, NEMA rated enclosures, and an RF product line which includes antennas, amplifiers, passive, and active components.

The information contained within this document is accurate to the best of our knowledge and representative of the part described herein. It may be necessary to make modifications to the part and/or the documentation of the part in order to impliment improvements. L-com reserves the right to make such changes as required. Unless otherwise stated, all specifications are nominal. L-com does not make any representation or warranty regarding the suitability of the part described herein for any particular purpose, and L-com does not assume liability arising out of the use of any part or document.