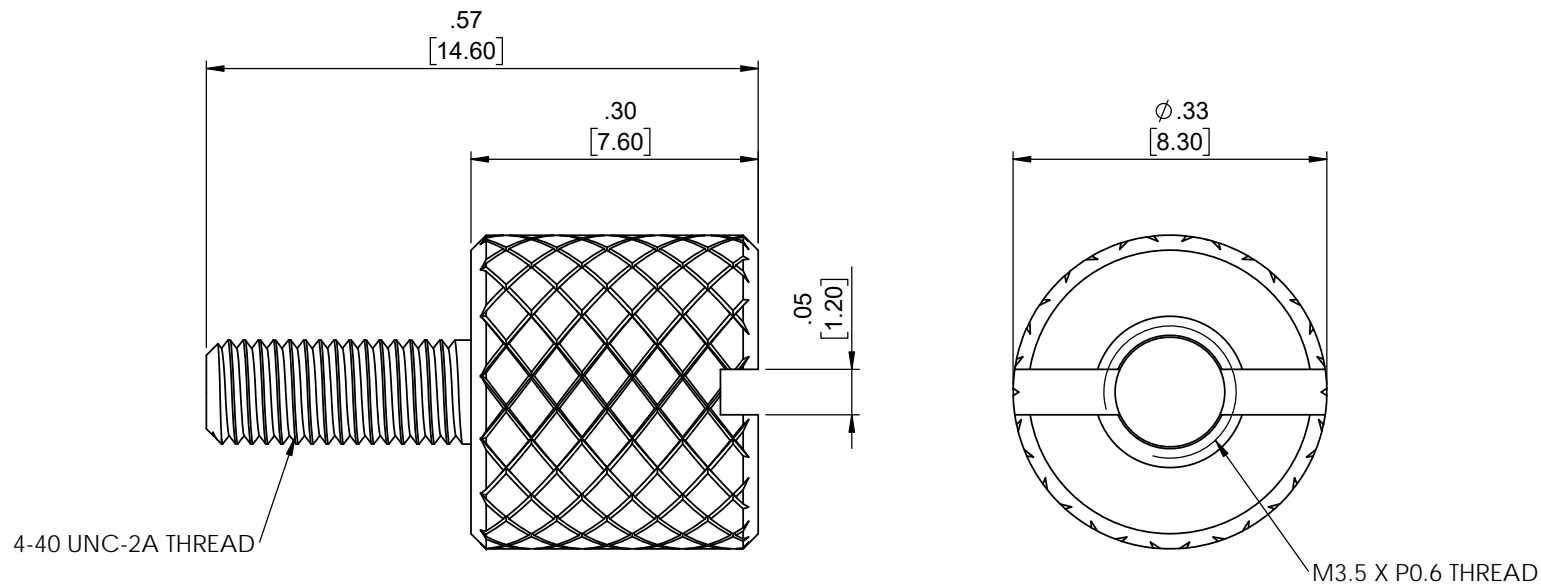


THE INFORMATION CONTAINED IN THIS DRAWING IS THE SOLE PROPERTY OF L-COM, INC. ANY REPRODUCTION IN PART OR WHOLE WITHOUT THE WRITTEN PERMISSION OF L-COM, INC. IS PROHIBITED.

REVISIONS			
REV	DESCRIPTION	DATE	APPROVED
A	INITIAL RELEASE	4/20/2017	RC



NOTES

1. MATERIAL: COLD ROLLED STEEL
2. FINISH: BLACK ZINC PLATED
3. BULK PACKAGE: 100 PIECES PER BAG

REGULATORY COMPLIANCE:
CE 2011/65/EU(RoHS DIRECTIVE)

UNLESS OTHERWISE SPECIFIED, DIMENSIONS ARE IN INCHES [mm] DIMENSIONAL TOLERANCES: .X = ±.1 [2.54] .XX = ±.01 [.25] .XXX = ±.005 [.13] ANGULAR TOLERANCES: ALL = ± 1°	APPROVALS	DATE	50 HIGH STREET NORTH ANDOVER, MA 01845				
	DRAWN BY RCLARK	04/19/2017					
	CHECKED BY D.FRISIELLO	4/20/2017	CATEGORY IEEE-488				
	APPROVED BY B.GATES	4/20/2017	PRODUCT DESCRIPTION CIB24SRA SCREWS 100PK				
PROJECTION 	CONFIGURATION DETAILS OF UNDIMENSIONED FEATURES MAY VARY		COLOR VARIATIONS MAY OCCUR	SIZE A	FSCM NO. 43321	DWG. NO. GPIB-J10-014	REV. A
SCALE: NONE			CAD FILE: GPIB-J10-014.SLDDRW		SHEET 1 OF 1		