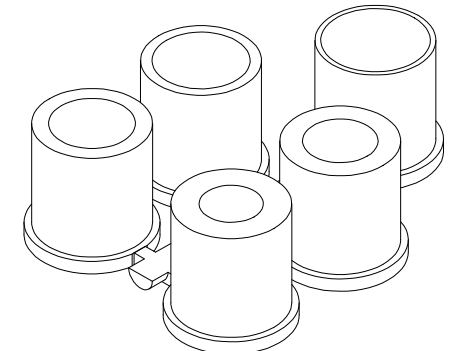
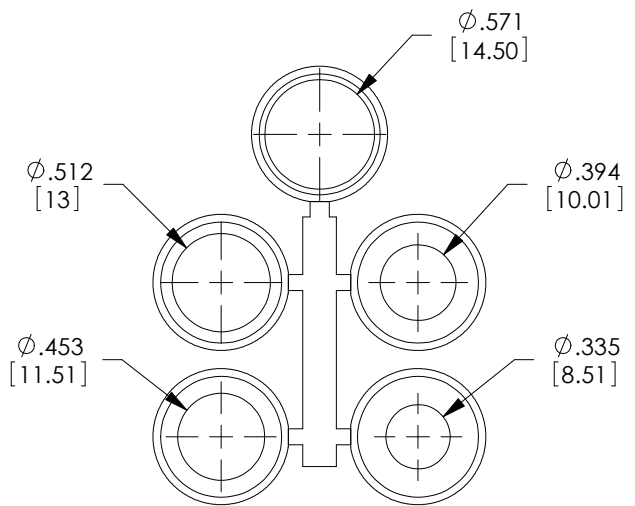
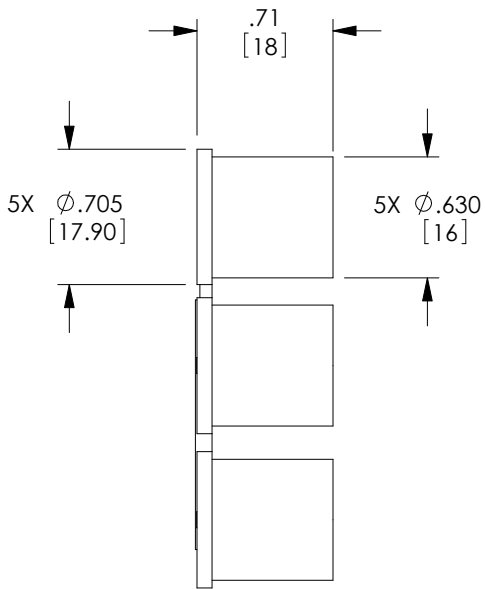


THE INFORMATION CONTAINED IN THIS DRAWING IS THE SOLE PROPERTY OF L-COM, INC. ANY REPRODUCTION IN PART OR WHOLE WITHOUT THE WRITTEN PERMISSION OF L-COM, INC. IS PROHIBITED.

REVISIONS			
REV	DESCRIPTION	DATE	APPROVED
A	DRAWING REPLACES GROM-37_50-OD1	10/6/14	D.FRISIELLO



**NOTES:**

GROMMETS ARE INTENDED FOR STRAIN RELIEF USE WITH L-COM SDC37AG AND SDC50AG HOODS.

MATERIAL: POLYVINYLCHLORIDE, BLACK.

COMPONENT SHALL BE INDIVIDUALLY PACKAGED IN ACCORDANCE WITH L-COM SPECIFICATION PS-0031.

**REGULATORY COMPLIANCE:**  
CE2011/65/EU(RoHS DIRECTIVE)

UNLESS OTHERWISE SPECIFIED, DIMENSIONS ARE IN INCHES [mm] OVERALL CABLE LENGTH TOLERANCE: ≤12 [305] = +1 [25] / -0 >12 [305] ≤60 [1524] = +2 [51] / -0 >60 [1524] ≤120 [3048] = +4 [102] / -0 >120 [3048] ≤300 [7620] = +6 [152] / -0 >300 [7620] = +5% / -0% ALL OTHER DIMENSIONAL TOLERANCES: .X = ± .2 [5.08] .XX = ± .02 [1.51] .XXX = ± .005 [1.13]	APPROVALS DRAWN BY T CLARK	DATE 11/4/2004		50 HIGH STREET NORTH ANDOVER, MA 01845		
	CHECKED BY D PARHAM	DATE 12/1/2004		CATEGORY D-SUBMINIATURE		
	APPROVED BY C MCCORMICK	DATE 12/1/2004	PRODUCT DESCRIPTION GROMMET, SDC 37 & 50 POS			
	PROJECTION 	CONFIGURATION DETAILS OF UNDIMENSIONED FEATURES MAY VARY	COLOR VARIATIONS MAY OCCUR	SIZE <b>A</b>	FSCM NO. <b>43321</b>	DWG. NO. <b>GROM-37&amp;50</b>
SCALE: NONE			CAD FILE: GROM-37&50.SLDDRW		SHEET 1 OF 1	