

1710-4200 MHz 20 dBi Gain Mesh Parabolic 2x2 MIMO
Dish Antenna - 2 x Type N Female Connector



HG-1742DP-20EG-NF

Features

- Low Windload Mesh Design
- +/-45 Slant Polarization
- 20 dBi Gain
- 2x2 MIMO
- Type N Female Connector

Applications

- LTE,5G,CBRS
- Cellular networks
- DAS (Distributed Antenna Systems)
- IEEE 802.11b/g/n WiFi applications

Description

The L-com HG-1742DP-20EG-NF is a high performance LTE / CBRS Mesh Parabolic Dish antenna specifically designed for cellular networks. L-com's HG-1742DP-20EG-NF has 20 to 22 dBi gain and can be used to broadcast Cellular LTE signals. The HG-1742DP-20EG-NF operates from 1710 to 4200 MHz which is ideal for 5G, LTE, PCS, UMTS, CBRS applications including LoRA, LTE-M, and NB-IOT. The Multi-Band design of the L-com HG-1742DP-20EG-NF antenna eliminates the need to purchase different antennas for each frequency. This simplifies installations since the same antenna can be used for a wide array of telecommunication applications where wide coverage is desired.

The HG-1742DP-20EG-NF from L-com has directional patterns with Dual Slant ($\pm 45^\circ$) polarization and features 2 x Type N Female connectors. The Type N connectorized HG-1742DP-20EG-NF antenna from L-com is designed specifically for outdoor operation and is ideal for point to point use in large open areas such as base station installations or cellular backhaul. The included mounting bracket and hardware makes this antenna very easy to install. This LTE / CBRS Mesh Parabolic Dish antenna just like our wide selection of superior quality RF parts, ship same day. Contact our knowledgeable and friendly technical support and sales staff for your answers on antennas or other L-com products."

Configuration

Design	Grid
Band Type	Multi
Radiation Pattern	Directional
Polarization	± 45 Deg. Slant
Connector Type	N Female
Lightning Protection	DC Ground

Electrical Specifications

Description	Minimum	Typical	Maximum	Units
Frequency Range	1,700		4,200	MHz
Impedance		50		Ohms
Gain		20		dBi
Front to Back Ratio	25			dB
Input Power			50	Watts

Click the following link (or enter part number in "SEARCH" on website) to obtain additional part information including price, inventory and certifications:
[1710-4200 MHz 20 dBi Gain Mesh Parabolic 2x2 MIMO Dish Antenna - 2 x Type N Female Connector HG-1742DP-20EG-NF](#)

1710-4200 MHz 20 dBi Gain Mesh Parabolic 2x2 MIMO Dish Antenna - 2 x Type N Female Connector



HG-1742DP-20EG-NF

Specifications by Band

Description	Band 1	Band 2	Band 3	Band 4	Band 5	Units
Range	1.71 to 2.69	3.3 to 4.2				GHz
Gain	20	22				dBi
Horizontal HPBW	15	12				Degrees
Vertical HPBW	15	12				Degrees
VSWR Max	2.5:1	2.5:1				

Mechanical Specifications

Size

Length	24 in [609.6 mm]
Width	24 in [609.6 mm]
Height	12 in [304.8 mm]
Mounting Mast Diameter	1.18 to 1.96 in [29.97 to 49.78 mm]
Weight	4.4 lbs [2 kg]

Environmental Specifications

Temperature

Operating Range	-40 to +70 deg C
Mechanical Tilt	20 Degrees

Compliance Certifications (see [product page](#) for current document)

Plotted and Other Data

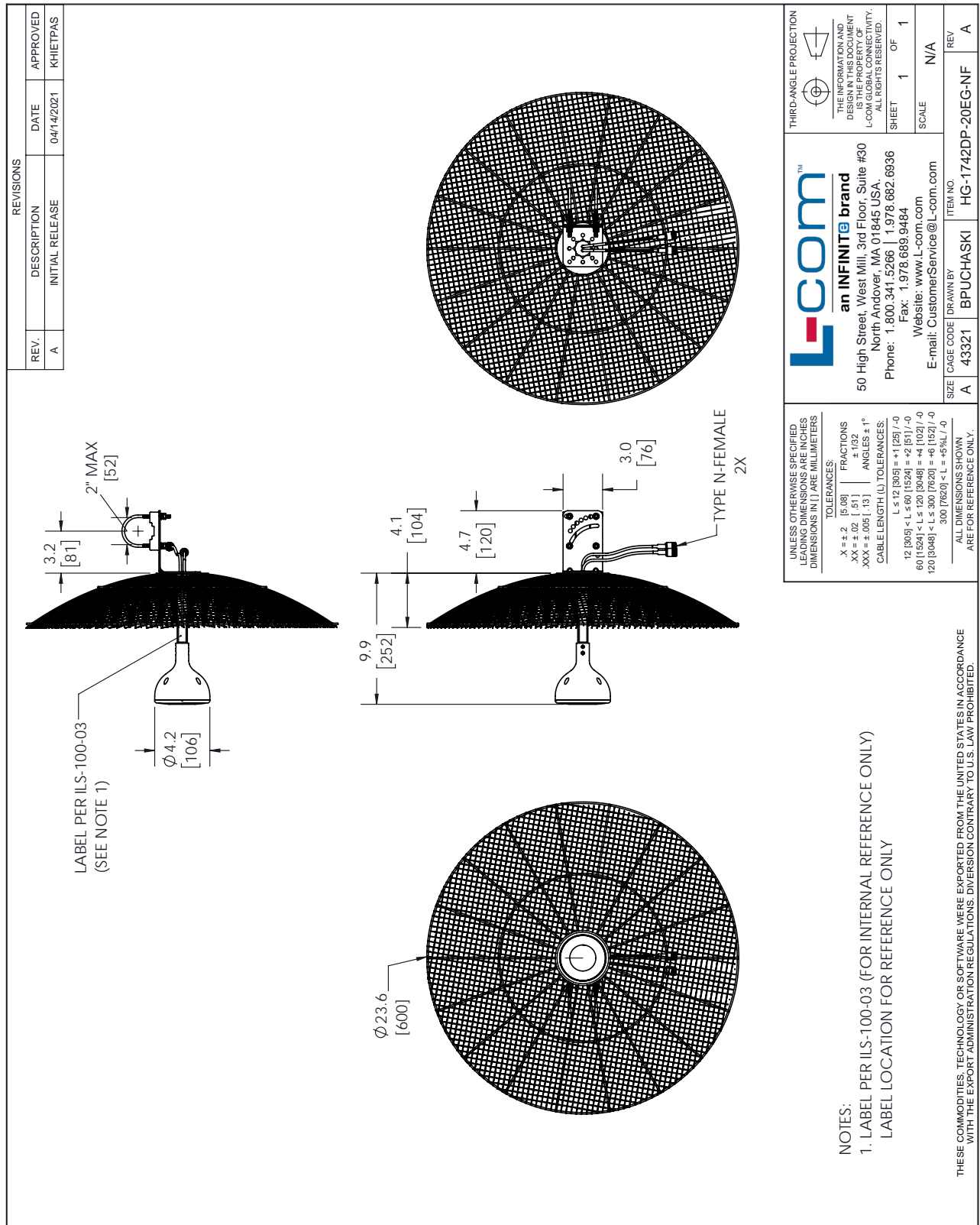
Notes:

1710-4200 MHz 20 dBi Gain Mesh Parabolic 2x2 MIMO Dish Antenna - 2 x Type N Female Connector from L-com has same day shipment for domestic and International orders. Our portfolio includes coaxial cable assemblies, connectors, adapters and custom products as well as lightning and surge protectors, NEMA rated enclosures, and an RF product line which includes antennas, amplifiers, passive, and active components.

The information contained within this document is accurate to the best of our knowledge and representative of the part described herein. It may be necessary to make modifications to the part and/or the documentation of the part in order to impliment improvements. L-com reserves the right to make such changes as required. Unless otherwise stated, all specifications are nominal. L-com does not make any representation or warranty regarding the suitability of the part described herein for any particular purpose, and L-com does not assume liability arising out of the use of any part or document.

1710-4200 MHz 20 dBi Gain Mesh Parabolic 2x2 MIMO Dish Antenna - 2 x Type N Female Connector

L-com CAD Drawing



NOTES:
1. LABEL PER ILS-100-03 (FOR INTERNAL REFERENCE ONLY)
LABEL LOCATION FOR REFERENCE ONLY

T-Rev.D