



Base Station Antenna Ground Plane Converter Kit NMO Mount/N Type Connectors

Antennas Technical Data Sheet

HG-GPCON-NMON

Features

- Base Station Ground Plane Kit
- Mobile NMO Antenna to Base Station Conversion
- Directly Mounts to 1.6" to 2.5" Mast Diameter
- High Grade 316 Stainless Steel and Nickel Plated Brass Construction Provides Durability and Resistance to Environmental Corrosion

Applications

- LPWAN/IOT
- Unlicensed IMS band
- Cellular

Description

The Base Station Ground Plane Kit provides for the conversion of mobile 800 and 900 MHz NMO antennas into base station antennas with a type N jack connector. This Product is designed for customers who are looking for a lower cost base station antenna option without sacrificing quality. Additionally, the base station kit is manufactured with high grade 316 stainless steel and nickel plated brass construction, providing durability and resistance to environment corrosion.

Note: NMO Antenna Sold Separately. Mounting Mast not included.

Configuration

Design	Base Station
Band Type	Dual
Connector Type	NMO Mount
Interface 2	N

Electrical Specifications

Description	Minimum	Typical	Maximum	Units
Frequency Band 1		800		MHz
Frequency Band 2		900		MHz
Input VSWR			1.2:1	
Impedance		50		Ohms
Input Power			200	Watts

Mechanical Specifications

Dialectric Insulation	Teflon
Mounting Application	Mast Mount
Size	
Length	8 in [203.2 mm]
Width	10.83 in [275.08 mm]
Maunting Mast Diameter	1.6 to 2.5 in [40.64 to 63.50 mm]
Weight	10.09 lbs [4.58 kg]

Click the following link (or enter part number in "SEARCH" on website) to obtain additional part information including price, inventory and certifications: [Base Station Antenna Ground Plane Converter Kit NMO Mount/N Type Connectors HG-GPCON-NMON](#)



an INFINIT® brand



Base Station Antenna Ground Plane Converter Kit NMO Mount/N Type Connectors

Antennas Technical Data Sheet

HG-GPCON-NMON

Connectors

Description	Connector 1	Connector 2	Connector 3
Outer Conductor Material and Plating	Brass, Nickel	Brass, Nickel	

Environmental Specifications

Temperature

Operating Range

-40 to +85 deg C

Storage Range

-40 to +85 deg C

Compliance Certifications (see [product page](#) for current document)

Plotted and Other Data

Notes:

Our portfolio includes cable assemblies, connectors, adapters and custom products, as well as their wireless product line which includes antennas, RF amplifiers, coaxial lightning and surge protectors, and NEMA rated enclosures.

Click the following link (or enter part number in "SEARCH" on website) to obtain additional part information including price, inventory and certifications: [Base Station Antenna Ground Plane Converter Kit NMO Mount/N Type Connectors HG-GP-CON-NMON](#)

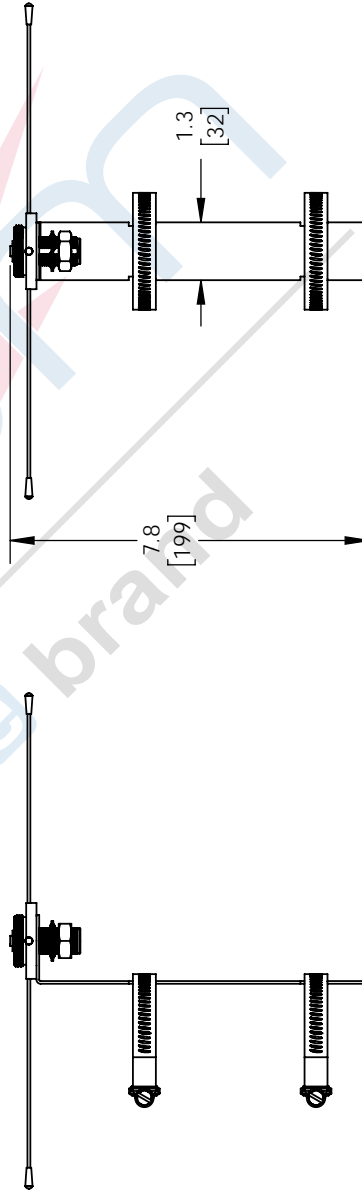
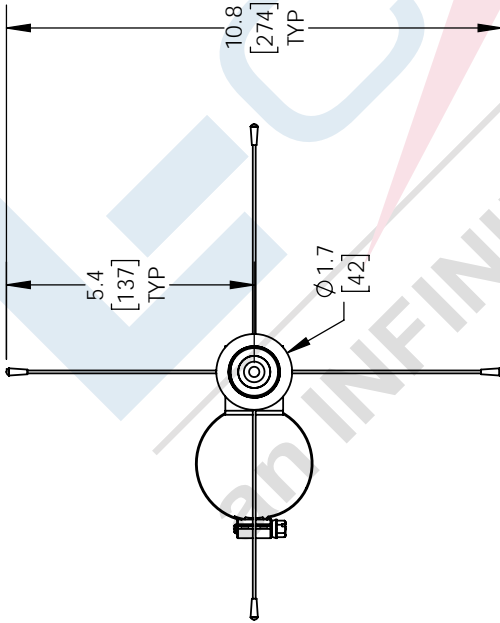
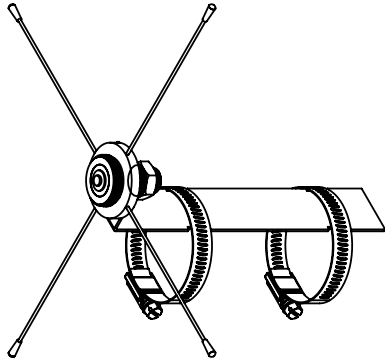
URL: <https://www.l-com.com/Undefined URL for PN HG-GPCON-NMON-p.aspx>

The information contained in this document is accurate to the best of our knowledge and representative of the part described herein. It may be necessary to make modifications to the part and/or the documentation of the part, in order to implement improvements. L-com reserves the right to make such changes as required. Unless otherwise stated, all specifications are nominal. L-com does not make any representation or warranty regarding the suitability of the part described herein for any particular purpose, and L-com does not assume any liability arising out of the use of any part or documentation.

HG-GPCON-NMON CAD Drawing

Base Station Antenna Ground Plane Converter Kit NMO Mount/N Type Connectors

REVISIONS		
REV.	DESCRIPTION	DATE
A	INITIAL RELEASE	08/07/2019
		APPROVED
		MMILLER



UNLESS OTHERWISE SPECIFIED
LENGTH DIMENSIONS SPECIFIED
DIMENSIONS IN MILLIMETERS

TOLERANCES:
 .X±.2 [5.08] FRACTIONS ± 1/32
 .XX±.01 [25] ANGLES ± 1°
 .XXX±.005 [13]
 ALL DIMENSIONS SHOWN
 ARE FOR REFERENCE ONLY.
 THIRD-ANGLE PROJECTION

L-com
 an INFINITI® brand
 50 High Street, West Mill, 3rd Floor, Suite #30
 North Andover, MA 01845 USA
 Phone: 1 800 341 5266 | 1 978 682 6936
 Fax: 1 978 689 9484
 www.L-com.com | e-mail: CustomerService@L-com.com

SIZE [CAGE] DRAWN BY PART NUMBER
 A 43321 BPUCHASKI HG-GPCON-NMON

THE INFORMATION AND DESIGN IN THIS DOCUMENT IS THE PROPERTY OF L-COM. ALL RIGHTS RESERVED.

SHEET 1 OF 1
 SCALE N/A

THESE COMMODITIES, TECHNOLOGY OR SOFTWARE WERE EXPORTED FROM THE UNITED STATES IN ACCORDANCE WITH THE EXPORT ADMINISTRATION REGULATIONS. DIVERSION CONTRARY TO U.S. LAW PROHIBITED.

T4Rev.B