



# 32 dBi Timing GPS/GLNSS Antenna 1,574-1,610 MHz TNC Connector

## Antennas Technical Data Sheet

## HG-GPGLTIM32

### Features

- High Selectivity Dual Filter RF Architecture
- Eliminates High Power RFI Operating within Multi-Located Base Station Environment
- Impact Resistant ASA Radome
- Rugged Die-Cast Aluminum Base
- Integrated Bulkhead, TNC Jack
- IP67 Rated
- ¾" NPT and 1"-14 Marine Mount Compatible
- UV Resistant/Cool Gray for Reduced Visibility

### Applications

- Network time Synchronization
- Precision frequency reference

### Description

The HG-GPGLTIM32 GPS/GLNSS Timing Antenna is a professional grade product used for advanced time and frequency system applications. Housed in an IP67 rated high impact ASA and die cast aluminum housing it's suitable for all outdoor and marine environments.

### Configuration

Design	GPS/GLNSS
Application Band	L1
Band Type	Single
DC Injection	Coaxial feed cable center conductor
Connector Type	TNC Jack
Housing Material and Plating	Gray

### Electrical Specifications

Description	Minimum	Typical	Maximum	Units
Frequency Range (GPS/GLNSS (L1))	1.574		1.61	GHz
Output VSWR			2:1	
Impedance		50		Ohms
Gain		32		dBi
Gain Variation		±3		dBi
Noise Figure		3.1	3.5	dB
Out Of Band Rejection			70	dB
Operating DC Voltage	2.7		5.5	Volts
Current		7	15	mA

Click the following link (or enter part number in "SEARCH" on website) to obtain additional part information including price, inventory and certifications: [32 dBi Timing GPS/GLNSS Antenna 1,574-1,610 MHz TNC Connector HG-GPGLTIM32](#)



# 32 dBi Timing GPS/GLNSS Antenna 1,574-1,610 MHz TNC Connector

## Antennas Technical Data Sheet

## HG-GPGLTIM32

### INSTALLATION INSTRUCTIONS

HG-GPGLTIM32

Timing Antenna

GPS, GPS/GLNSS

*Congratulations on your selection of another quality antenna product from L-Com*

*L-Com is committed to continually provide the greatest antenna VALUE for your wireless applications.*

- Model:** Remove the RF Connector dust cap and verify product description and output connector matches the system/cabling requirements.

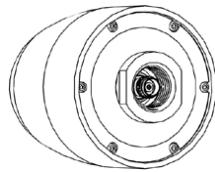


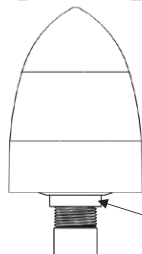
Fig.1

- Installation: Warning! Installation of this product near power lines is dangerous.**

**For your safety, follow the enclosed installation directions.**

- Timing Antenna installs directly to a vertically upright, standard 3/4" NPT pipe or 1"-14 Marine Mount thread. No additional hardware required to install or mount.
- The Timing Antenna is powered through the center conductor of the coaxial feed cable (not supplied). Verify the output voltage on the GPS or GPS/GLNSS receiver provides 2.7-5.5 VDC to the antenna.
- Route coaxial cable with appropriate mating connector through the mounting pipe and out the open end. Always keep coaxial feed cable length to a minimum. **Note:** Coaxial feed cable should not exceed 15 dB total insertion loss.
- Couple the RF coaxial cable to the output connector on the Timing Antenna. Verify a secure connection. Leave the opposite side end of the cable uncoupled and free to spin, until the antenna is completely installed to the pipe.
- Attach the Timing Antenna (with cable) to the end of the pipe by threading the antenna onto the pipe end. Continue to manually thread and secure with a firm hand grip.
- Applying Torque:** If required, the Timing Antenna includes an integrated wrench flat to apply additional torque using a standard 1-1/4" open-end wrench. **Note:** Apply torque carefully to avoid damage to the aluminum base. **CAUTION:** To avoid potential damage, **DO NOT APPLY TORQUE TO THE RADOME** using strap wrench or similar tool.
- Route the coaxial cable and attach to the GPS/GLNSS receiver. Verify performance.

**CAUTION: DO NOT APPLY TORQUE TO RADOME USING HAND TOOLS**



**Tip:** For best performance, install Timing Antenna vertically upright, with a clear and unobstructed wide angular view of the sky.

Apply torque using 1-1/4" open-end wrench at base only

### Mechanical Specifications

Housing Plating/Color	Gray
Mounting Application	3/4 in. NPT Pipe & 1"-14 Marine Mount
Base Diameter	3.25 in [82.55 mm]
Height	4.88 in [123.95 mm]
Weight	11.84 lbs [5.37 kg]

Click the following link (or enter part number in "SEARCH" on website) to obtain additional part information including price, inventory and certifications: [32 dBi Timing GPS/GLNSS Antenna 1,574-1,610 MHz TNC Connector HG-GPGLTIM32](#)



an INFINIT<sup>®</sup> brand



32 dBi Timing GPS/GLNSS Antenna 1,574-1,610 MHz TNC Connector

## Antennas Technical Data Sheet

HG-GPGLTIM32

### Environmental Specifications

#### Temperature

Operating Range

-40 to +85 deg C

Humidity

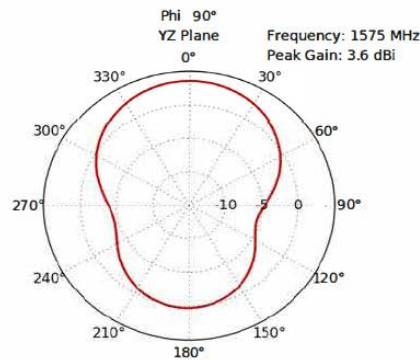
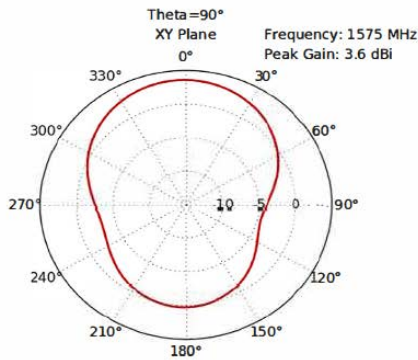
95%

**Compliance Certifications** (see [product page](#) for current document)

### Plotted and Other Data

Notes:

#### Typical Radiation Pattern



Click the following link (or enter part number in "SEARCH" on website) to obtain additional part information including price, inventory and certifications: [32 dBi Timing GPS/GLNSS Antenna 1,574-1,610 MHz TNC Connector HG-GPGLTIM32](#)



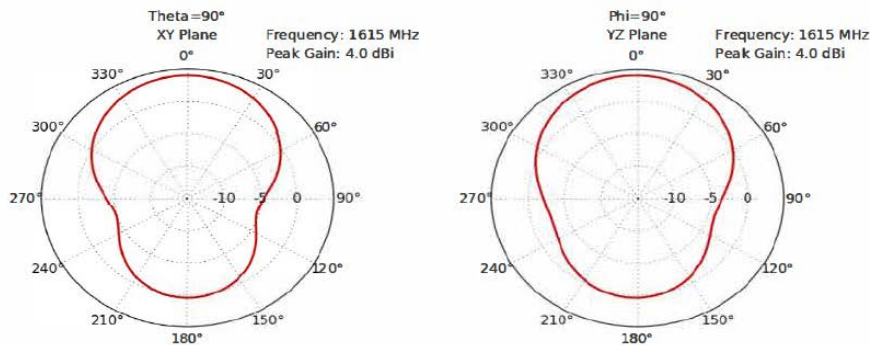
an INFINIT<sup>®</sup> brand



## 32 dBi Timing GPS/GLNSS Antenna 1,574-1,610 MHz TNC Connector

### Antennas Technical Data Sheet

HG-GPGLTIM32



Our portfolio includes cable assemblies, connectors, adapters and custom products, as well as their wireless product line which includes antennas, RF amplifiers, coaxial lightning and surge protectors, and NEMA rated enclosures.

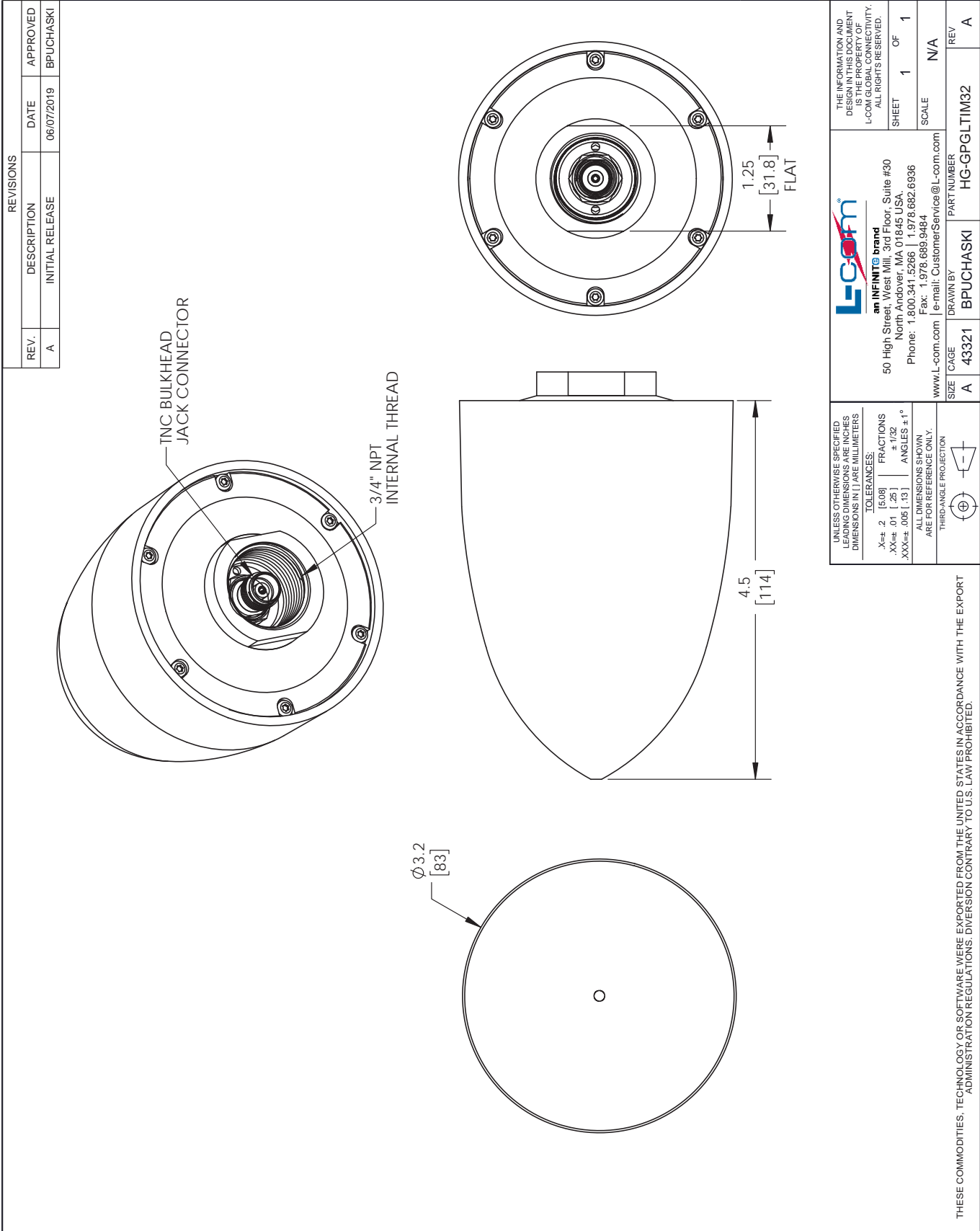
Click the following link (or enter part number in "SEARCH" on website) to obtain additional part information including price, inventory and certifications: [32 dBi Timing GPS/GLNSS Antenna 1,574-1,610 MHz TNC Connector HG-GPGLTIM32](#)

URL: <https://www.l-com.com/Undefined URL for PN HG-GPGLTIM32-p.aspx>

The information contained in this document is accurate to the best of our knowledge and representative of the part described herein. It may be necessary to make modifications to the part and/or the documentation of the part, in order to implement improvements. L-com reserves the right to make such changes as required. Unless otherwise stated, all specifications are nominal. L-com does not make any representation or warranty regarding the suitability of the part described herein for any particular purpose, and L-com does not assume any liability arising out of the use of any part or documentation.

# HG-GPGLTIM32 CAD Drawing

## 32 dBi Timing GPS/GLNSS Antenna 1,574-1,610 MHz TNC Connector



REVISIONS			
REV.	DESCRIPTION	DATE	APPROVED
A	INITIAL RELEASE	06/07/2019	BPUCHASKI

<p>UNLESS OTHERWISE SPECIFIED LEADING DIMENSIONS ARE INCHES DIMENSIONS IN [ ] ARE MILLIMETERS</p> <p>TOLERANCES: X== 2 [5.08] FRACTIONS XX== .01 [.25] ± 1/32 XXX== .005 [.13] ANGLES ± 1°</p> <p>ALL DIMENSIONS SHOWN ARE FOR REFERENCE ONLY.</p> <p>THIRD ANGLE PROJECTION</p>		<p>THE INFORMATION AND DESIGN IS THE PROPERTY OF L-COM GLOBAL CONNECTIVITY. ALL RIGHTS RESERVED.</p> <p>SHEET 1 OF 1</p> <p>SCALE N/A</p>	
<p>an INFINITO brand 50 High Street, West Mill, 3rd Floor, Suite #30 North Andover, MA 01845 USA. Phone: 1.800.341.5266   1.978.682.6836 Fax: 1.978.689.9484 www.L-com.com e-mail: CustomerService@L-com.com</p>		<p>DRAWN BY PART NUMBER BPUCHASKI HG-GPGLTIM32</p>	
SIZE	CAGE	REV	REV
A	43321		A

THESE COMMODITIES, TECHNOLOGY OR SOFTWARE WERE EXPORTED FROM THE UNITED STATES IN ACCORDANCE WITH THE EXPORT ADMINISTRATION REGULATIONS. DIVERSION CONTRARY TO U.S. LAW PROHIBITED.

T-Rev.B