

1.71 to 2.7 GHz, 3.3 to 3.6 GHz, 4-port WISP Panel Antenna, 13 and 14 dBi, 33-degree, 4 N-type female, +/- 45 dual Polarization



## HG1736-12XP-040-4NF

### Features

- 1710 to 2700 MHz and 3300 to 3600 MHz, 14 dBi gain
- 33 deg. beamwidth sector antenna
- 4 x N-type female connector
- Weather proof - UV resistant PVC radome
- Dual slant polarization (+/- 45 deg.)
- VSWR < 2:1
- 100 W max input power per port

### Applications

- Point to point data links (PtP)
- Point to multi-point data links (PtMP)
- 2x2, 4x4 MIMO capability
- WLAN, Wi-Fi 2.4 GHz, Wireless networks
- DAS, CBRS and 3 GHz WISP
- Smart cities expansion for coverage and IOT / IIOT
- 5G bands - n1, n2, n3, n7, n25, n30, n34, n39, n40, n41, n65, n66, n78, n80, n84, n86, n95, n97, n98, n101
- 4G LTE bands - B1, B2, B3, B4, B7, B25, B30, B33, B34, B37, B38, B39, B40, B41, B42, B65, B66, B69, B70

### Description

L-com's HG1736-12XP-040-4NF is a 1.71 GHz to 2.7 GHz, 3.3 GHz to 3.6 GHz WISP panel antenna that is used for cellular or mobile base stations or wireless networking due to its size and directional properties. Our antenna comes equipped with die-cast aluminum brackets that afford +/- 45 dual polarization. This panel antenna features a pole mount, a 33-degree beam width and is rugged and weatherproof.

The WISP antenna from L-com has a +/- 45 dual polarization and a gain of 13 and 14 dBi. This 4-port antenna includes a 4 N-type female connectors, which make 2 x 2 and 4 x 4 MIMO configurations possible for high speeds or multiple technology deployments. The HG1736-12XP-040-4NF WISP panel antenna is ideal suited for IOT, IIOT and various 5G and 4G LTE bands.

Our 4-port flat panel antenna has stainless steel hardware that assures a long service life. This panel antenna is also used as a client-side antenna instead of a reflector dish due to its high gain and moderate beam width for its relatively small size. The gain of the HG1736-12XP-040-4NF dual-band antenna is 13 dBi for the frequency range of 1.71 GHz to 2.7 GHz and 14 dBi for the frequency range of 3.3 GHz to 3.6 GHz. L-com WISP antennas are perfect for WLAN, PtP, PtMP, 2x2 and 4x4 MIMO capability, 2.4 GHz Wi-Fi, wireless networks, DAS, CBRS, 3 GHz WISP and smart cities expansion for coverage.

The L-com has the largest in-stock collection of 4-port WISP panel antennas for your critical equipment and power sources. Quickly make your online purchase right now to take advantage of our same-day shipping. For further information on similar products, our expert technical support and knowledgeable sales team can help you get the 1.71 GHz to 2.7 GHz, 3.3 GHz to 3.6 GHz WISP panel antenna as per your requirements.

### Configuration

Design	Panel
Band Type	Multi
Radiation Pattern	Directional
Polarization	45 Deg. Slant
Connector Type	N Female
Number of Ports	4
Lightning Protection	DC Grounded

Click the following link (or enter part number in "SEARCH" on website) to obtain additional part information including price, inventory and certifications: [1.71 to 2.7 GHz, 3.3 to 3.6 GHz, 4-port WISP Panel Antenna, 13 and 14 dBi, 33-degree, 4 N-type female, +/- 45 dual Polarization HG1736-12XP-](#)

1.71 to 2.7 GHz, 3.3 to 3.6 GHz, 4-port WISP Panel Antenna, 13 and 14 dBi, 33-degree, 4 N-type female, +/- 45 dual Polarization



## HG1736-12XP-040-4NF

### Electrical Specifications

Description	Minimum	Typical	Maximum	Units
Frequency Range	1,710		3,600	MHz
Impedance		50		Ohms
Input Power			100	Watts

### Specifications by Band

Description	Band 1	Band 2	Band 3	Band 4	Band 5	Units
Range	1.71-2.7	3.3-3.6				GHz
Gain	13	14				dBi
Horizontal HPBW	33	34				Degrees
Vertical HPBW	34	34				Degrees
Port to Port Isolation	27	33				dB
Front to Back Ratio	27	28				dB
VSWR Max	2:1	1.7:1				

### Mechanical Specifications

Radome Material	PVC
<b>Size</b>	
Length	11.02 in [279.91 mm]
Width	3.15 in [80.01 mm]
Height	11.02 in [279.91 mm]
Mounting Mast Diameter	1.1811 to 2.3622 in [30.00 to 60.00 mm]
Weight	3.97 lbs [1.8 kg]

### Environmental Specifications

<b>Temperature</b>	
Operating Range	-40 to +60 deg C
Wind Survivability	134.216 MPH [216 KPH]

**Compliance Certifications** (see [product page](#) for current document)

### Plotted and Other Data

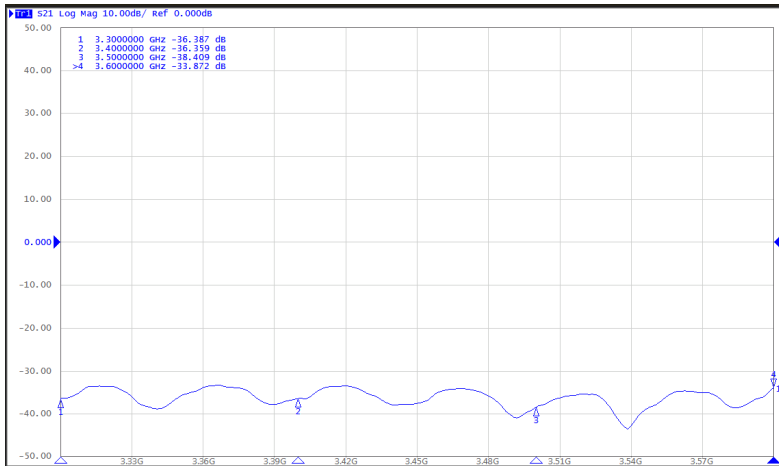
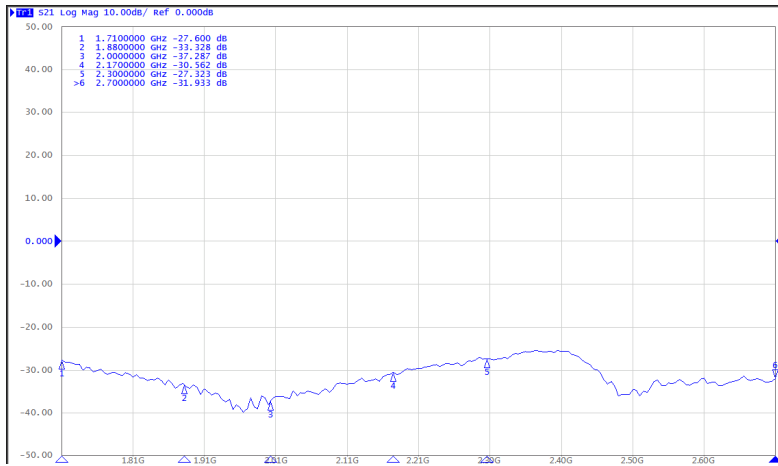
Notes:

1.71 to 2.7 GHz, 3.3 to 3.6 GHz, 4-port WISP Panel Antenna, 13 and 14 dBi, 33-degree, 4 N-type female, +/- 45 dual Polarization



**HG1736-12XP-040-4NF**

Isolation:

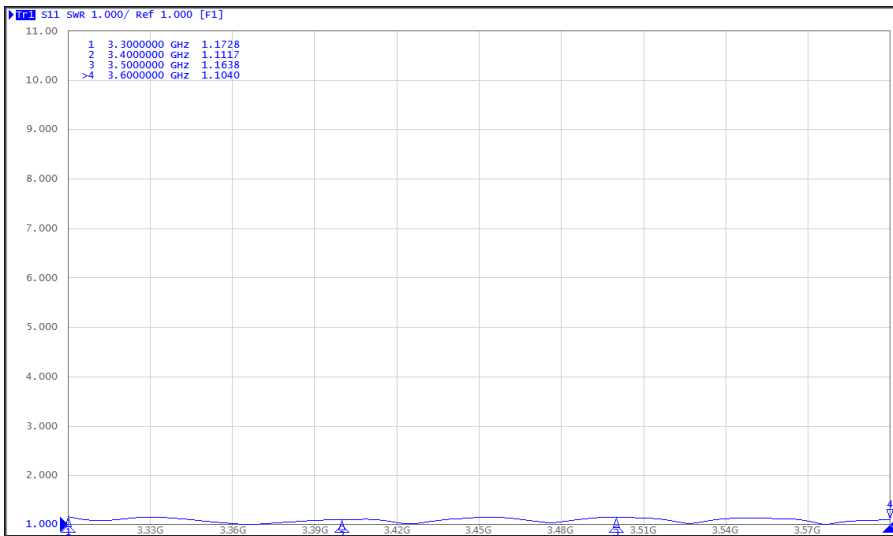
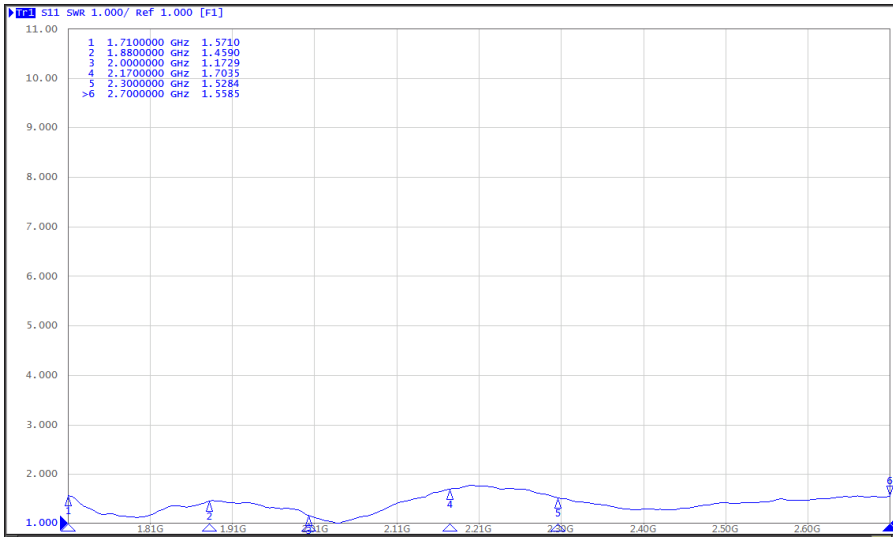


1.71 to 2.7 GHz, 3.3 to 3.6 GHz, 4-port WISP Panel Antenna, 13 and 14 dBi, 33-degree, 4 N-type female, +/- 45 dual Polarization



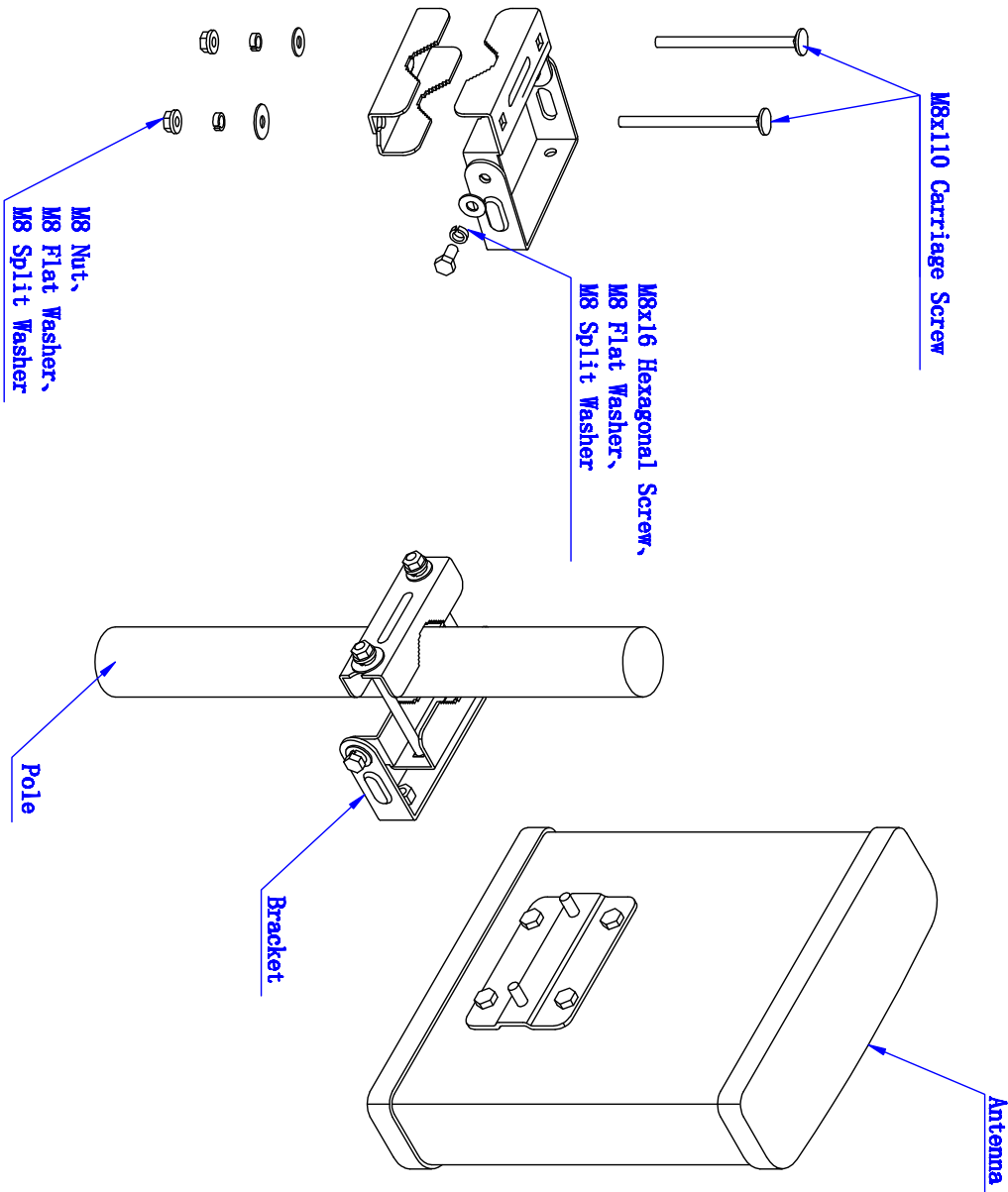
**HG1736-12XP-040-4NF**

VSWR:



1.71 to 2.7 GHz, 3.3 to 3.6 GHz, 4-port WISP Panel Antenna, 13 and 14 dBi, 33-degree, 4 N-type female, +/- 45 dual Polarization

**HG1736-12XP-040-4NF**

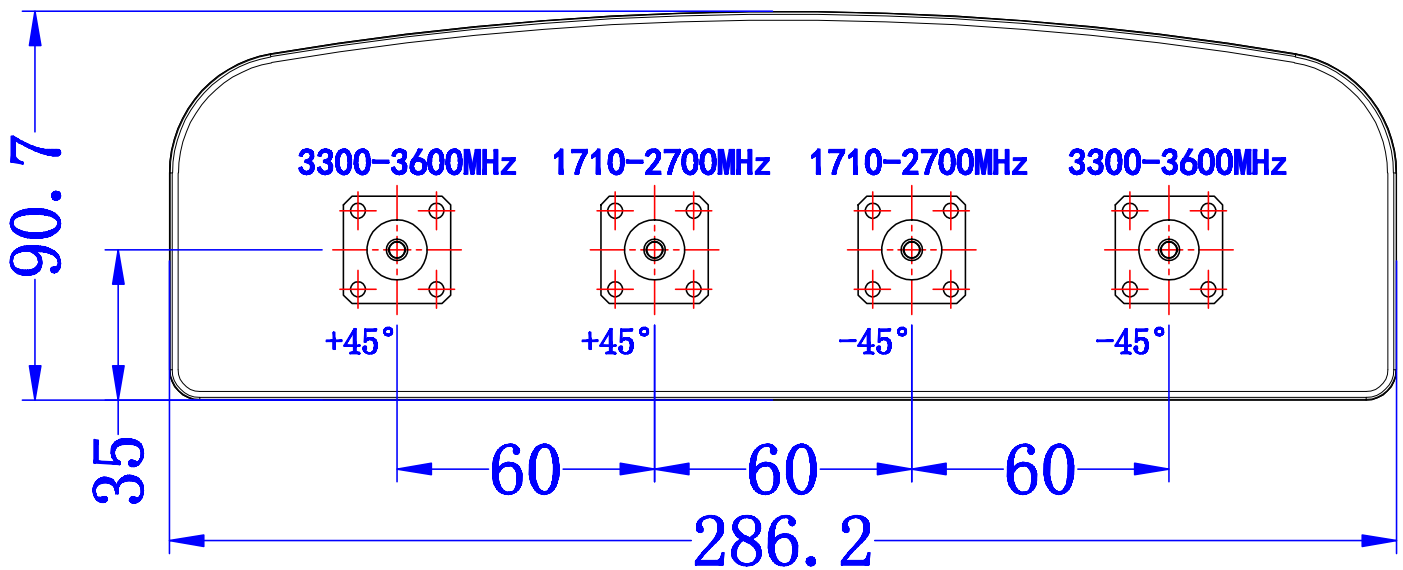


1.71 to 2.7 GHz, 3.3 to 3.6 GHz, 4-port WISP Panel Antenna, 13 and 14 dBi, 33-degree, 4 N-type female, +/- 45 dual Polarization



HG1736-12XP-040-4NF

# KP-23SX4-40



Unit: mm

1.71 to 2.7 GHz, 3.3 to 3.6 GHz, 4-port WISP Panel Antenna, 13 and 14 dBi, 33-degree, 4 N-type female, +/- 45 dual Polarization from L-com has same day shipment for domestic and International orders. Our portfolio includes coaxial cable assemblies, connectors, adapters and custom products as well as lightning and surge protectors, NEMA rated enclosures, and an RF product line which

1.71 to 2.7 GHz, 3.3 to 3.6 GHz, 4-port WISP Panel Antenna, 13 and 14 dBi, 33-degree, 4 N-type female, +/- 45 dual Polarization

## HG1736-12XP-040-4NF

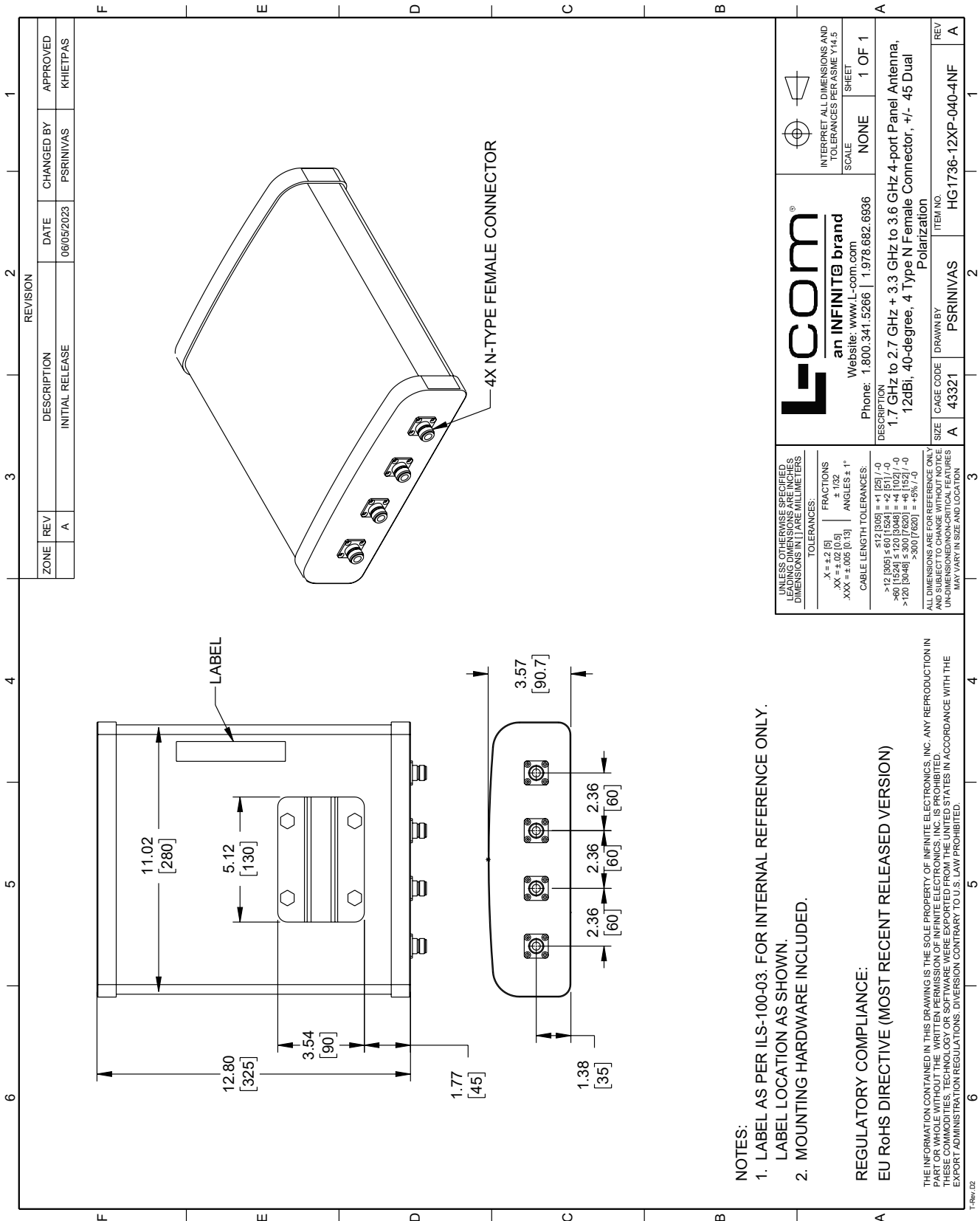


includes antennas, amplifiers, passive, and active components.

The information contained within this document is accurate to the best of our knowledge and representative of the part described herein. It may be necessary to make modifications to the part and/or the documentation of the part in order to implement improvements. L-com reserves the right to make such changes as required. Unless otherwise stated, all specifications are nominal. L-com does not make any representation or warranty regarding the suitability of the part described herein for any particular purpose, and L-com does not assume liability arising out of the use of any part or document.

1.71 to 2.7 GHz, 3.3 to 3.6 GHz, 4-port WISP Panel Antenna, 13 and 14 dBi, 33-degree, 4 N-type female, +/- 45 dual Polarization

**L-com CAD Drawing**



ZONE		REVISION		DATE		CHANGED BY		APPROVED	
A	1	INITIAL RELEASE	06/05/2023	PSRINIVAS	KHIETPAS				

**L-com**  
an INFINITe brand  
Website: www.L-com.com  
Phone: 1.800.341.5266 | 1.978.682.6936

INTERPRET ALL DIMENSIONS AND TOLERANCES PER ASME Y14.5  
SCALE: NONE SHEET: 1 OF 1

DESCRIPTION: 1.7 GHz to 2.7 GHz + 3.3 GHz to 3.6 GHz 4-port Panel Antenna, 12dBi, 40-degree, 4 Type N Female Connector, +/- 45 Dual Polarization

ITEM NO. HG1736-12XP-040-4NF  
CAGE CODE 43321  
DRAWN BY PSRINIVAS

UNLESS OTHERWISE SPECIFIED, LEADING DIMENSIONS ARE IN MILLIMETERS UNLESS OTHERWISE INDICATED IN MILLIMETERS.  
TOLERANCES:  
X = ±.2 [5] FRACTIONS ±.152 ANGLES ± 1°  
.XX = ±.02 [0.5]  
.XXX = ±.05 [1.3]  
CABLE LENGTH TOLERANCES:  
≤ 12 [305] = +1 [25] / -0  
> 12 [305] ≤ 60 [1524] = +2 [51] / -0  
> 60 [1524] ≤ 120 [3048] = +4 [102] / -0  
> 120 [3048] ≤ 300 [7620] = +5% / -0

ALL DIMENSIONS ARE FOR REFERENCE ONLY. UNLESS OTHERWISE SPECIFIED, DIMENSIONS ARE IN MILLIMETERS AND SUBJECT TO CHANGE WITHOUT NOTICE AND SUBJECT TO EXPORT ADMINISTRATION REGULATIONS. DIVERSION CONTRARY TO U.S. LAW PROHIBITED. MAY VARY IN SIZE AND LOCATION.

- NOTES:
1. LABEL AS PER ILS-100-03. FOR INTERNAL REFERENCE ONLY. LABEL LOCATION AS SHOWN.
  2. MOUNTING HARDWARE INCLUDED.

REGULATORY COMPLIANCE:  
EU RoHS DIRECTIVE (MOST RECENT RELEASED VERSION)

THE INFORMATION CONTAINED IN THIS DRAWING IS THE SOLE PROPERTY OF INFINITE ELECTRONICS, INC. ANY REPRODUCTION IN PART OR WHOLE WITHOUT THE WRITTEN PERMISSION OF INFINITE ELECTRONICS, INC. IS PROHIBITED. THESE COMMODITIES, TECHNOLOGY OR SOFTWARE WERE EXPORTED FROM THE UNITED STATES IN ACCORDANCE WITH THE EXPORT ADMINISTRATION REGULATIONS. DIVERSION CONTRARY TO U.S. LAW PROHIBITED.