

2300 MHz-2700 MHz, 14 dBi, 65-degree H/V Dual Pol, 8-port MIMO sector Antenna, 8 x Type N Female connector



HG2314DP-065-8NF

Features

- Frequency coverage for 2300 MHz to 2700 MHz
- Very High Gain 14 dBi Directional Antenna
- Easy Install universal mounting bracket provided\Weatherproof ABS – UV Resistance PVC radome
- 8 x Type N Female connector
- 65° beamwidth with dual H/V polarization
- 100 W max input power

Applications

- 2X2, 4X4 and 8X8 MIMO ready
- 2.4 GHz applications supported
- Wireless LAN systems & IEEE 802.16e applications
- Mobile WiMAX Wireless Internet Provider “cell” site
- Smart cities expansion for coverage and IOT / IIOT
- Outdoor or indoor point-to-point (PtP) or point-to-multipoint (PtMP) applications

Description

The L-com HG2314DP-065-8NF 8-port Sector Antenna works from 2300 MHz to 2700 MHz. provides industry leading gain, side lobes suppression, and high front-to-back ratio. The HG2314DP-065-8NF has gain performance of 14 dBi gain and is perfectly suited for macro base station or small cell deployments. Available in 65° beamwidth with dual H/V polarization.

The HG2314DP-065-8NF from L-com patterns are engineered to be symmetric in both polarizations, which will minimize chain imbalance. The HG2314DP-065-8NF sector antennas has 8 Type N Female connectors which make 2x2, 4x4, and 8x8 MIMO configurations possible for high speeds or multiple technology deployments. The sector antenna’s 25 dB port to port isolation and 25 dB front to back ratio allows for channel (frequency) reuse and can reach high levels of spectral efficiency in the most challenging and noisy environments.

L-com’s HG2314DP-065-8NF sector antenna has powder coated, high strength mounting brackets are built to withstand wind speeds of up to 135 mph and survive in corrosive environments with large swing in seasonal weather not impacting performance. The 2.3 GHz to 2.7 GHz HG2314DP-065-8NF sector antenna with 8 x N-type female connector has rugged and waterproof structure provides durable platform built for a broad range of environments and features a heavy-duty UV-resistance plastic radome for all-weather operation. This High performance 8-port sector antenna with N Female Type connector is in stock and ready to ship the same day. Contact our knowledgeable and friendly technical support and sales staff for your answers on antennas or other L-com products.

Configuration

Design	Sector
Band Type	Single
Radiation Pattern	Directional
Polarization	Vertical/Horizontal
Cable Type	Coax Cable
Connector Type	N Female
Number of Ports	8
Lightning Protection	DC Grounded

Electrical Specifications

Description	Minimum	Typical	Maximum	Units
-------------	---------	---------	---------	-------

Click the following link (or enter part number in “SEARCH” on website) to obtain additional part information including price, inventory and certifications:
[2300 MHz-2700 MHz, 14 dBi, 65-degree H/V Dual Pol, 8-port MIMO sector Antenna, 8 x Type N Female connector HG2314DP-065-8NF](#)

2300 MHz-2700 MHz, 14 dBi, 65-degree H/V Dual Pol, 8-port MIMO sector Antenna, 8 x Type N Female connector



HG2314DP-065-8NF

Frequency Range	2,300	2,700	MHz
Input VSWR		1.7:1	
Impedance	50		Ohms
Gain	14		dBi
Front to Back Ratio	25		dB
Horizontal (Azimuth) HPBW	65		Degrees
Vertical (Elevation) HPBW	15		Degrees
Input Power		100	Watts

Mechanical Specifications

Radome Material	PVC
Size	
Length	35.43 in [899.92 mm]
Width	11.02 in [279.91 mm]
Height	3.14 in [79.76 mm]
Mounting Mast Diameter	1.37 to 1.96 in [34.80 to 49.78 mm]
Weight	11.464 lbs [5.2 kg]

Environmental Specifications

Temperature	
Operating Range	-40 to +60 deg C
Wind Survivability	135 MPH [217.26 KPH]

Compliance Certifications (see [product page](#) for current document)

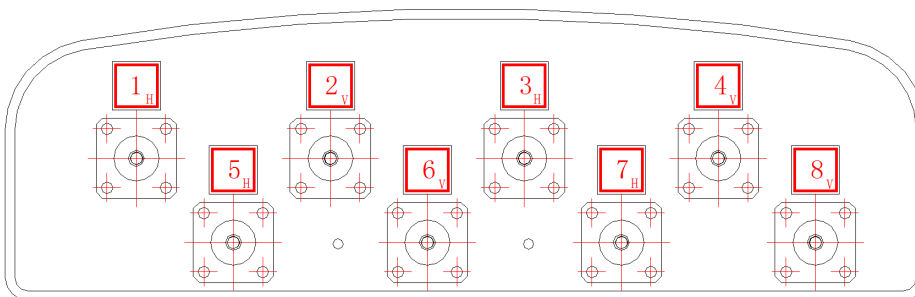
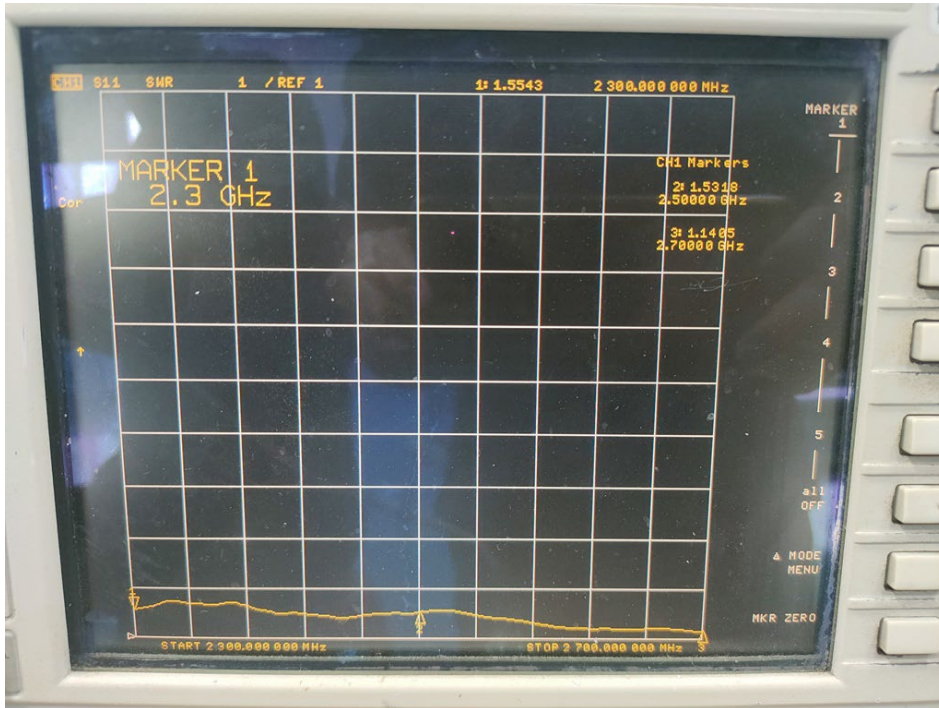
Plotted and Other Data

Notes:

2300 MHz-2700 MHz, 14 dBi, 65-degree H/V Dual Pol, 8-port MIMO sector Antenna, 8 x Type N Female connector



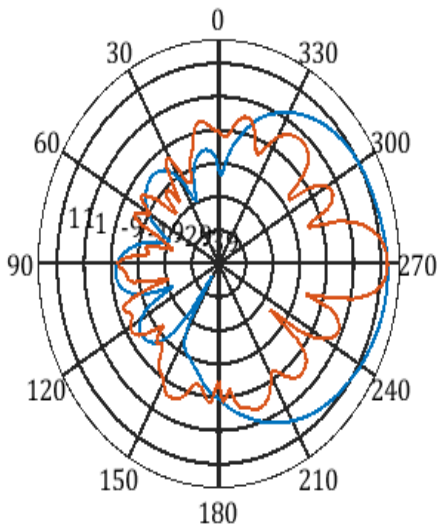
HG2314DP-065-8NF



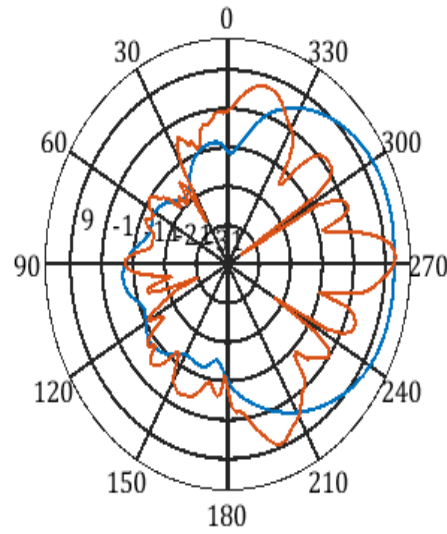
2300 MHz-2700 MHz, 14 dBi, 65-degree H/V Dual Pol, 8-port MIMO sector Antenna, 8 x Type N Female connector



HG2314DP-065-8NF



f=2300MHz,Co@2-cuts



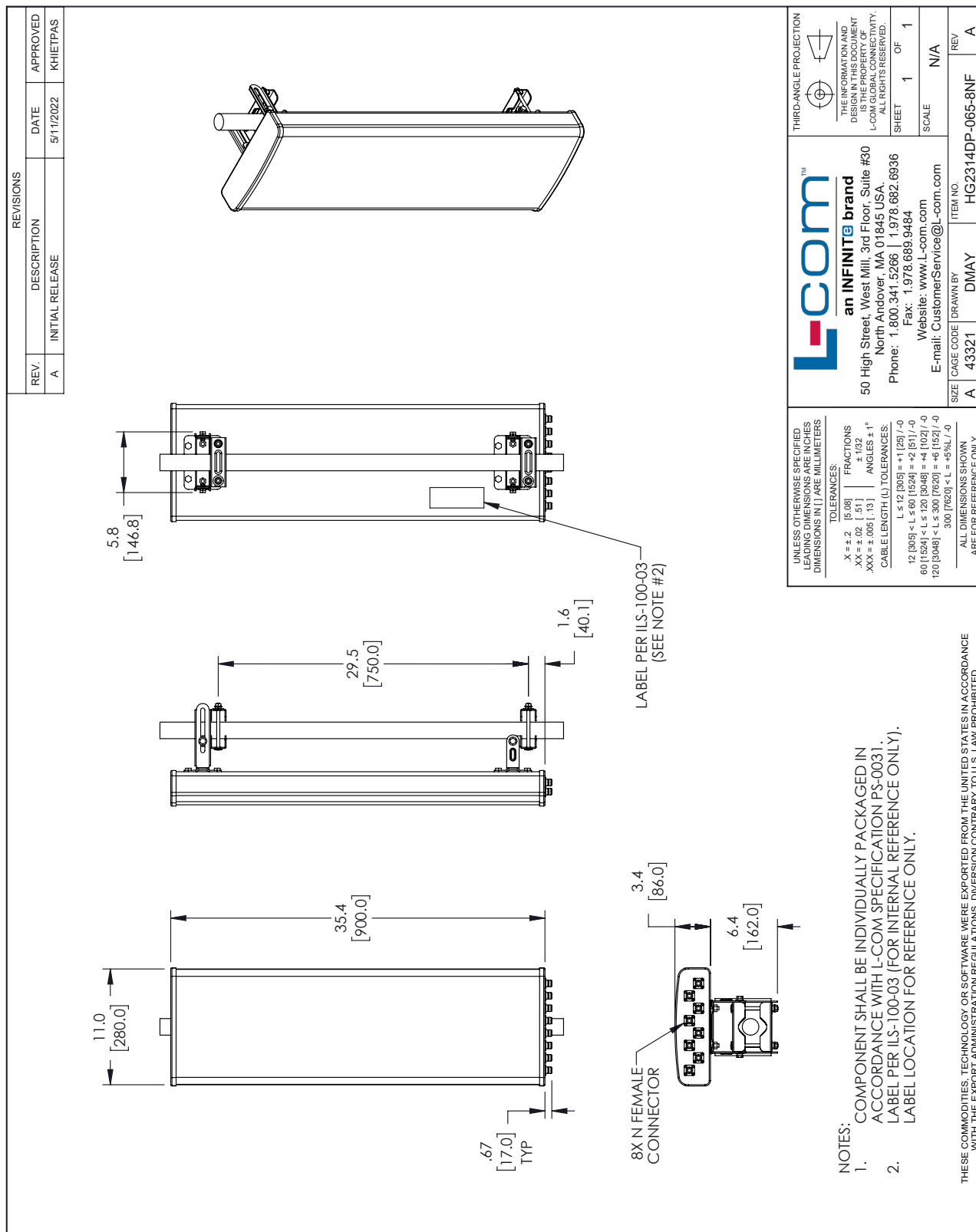
f=2700MHz,Co@2-cuts

2300 MHz-2700 MHz, 14 dBi, 65-degree H/V Dual Pol, 8-port MIMO sector Antenna, 8 x Type N Female connector from L-com has same day shipment for domestic and International orders. Our portfolio includes coaxial cable assemblies, connectors, adapters and custom products as well as lightning and surge protectors, NEMA rated enclosures, and an RF product line which includes antennas, amplifiers, passive, and active components.

The information contained within this document is accurate to the best of our knowledge and representative of the part described herein. It may be necessary to make modifications to the part and/or the documentation of the part in order to impliment improvements. L-com reserves the right to make such changes as required. Unless otherwise stated, all specifications are nominal. L-com does not make any representation or warranty regarding the suitability of the part described herein for any particular purpose, and L-com does not assume liability arising out of the use of any part or document.

2300 MHz-2700 MHz, 14 dBi, 65-degree H/V Dual Pol, 8-port MIMO sector Antenna, 8 x Type N Female connector

L-com CAD Drawing



- NOTES:
1. COMPONENT SHALL BE INDIVIDUALLY PACKAGED IN ACCORDANCE WITH L-COM SPECIFICATION PS-0031. LABEL PER ILS-100-03 (FOR INTERNAL REFERENCE ONLY).
 2. LABEL LOCATION FOR REFERENCE ONLY.

THESE COMMODITIES, TECHNOLOGY OR SOFTWARE WERE EXPORTED FROM THE UNITED STATES IN ACCORDANCE WITH THE EXPORT ADMINISTRATION REGULATIONS. DIVERSION CONTRARY TO U.S. LAW PROHIBITED.

T-Rev.D