

2300-2700 MHz / 5150- 5850 MHz / 5900-7200 MHz, 17 / 20 / 17 dBi, Wifi  
MIMO Sector Antenna, 65-degree, +/-45 Dual Pol, 4-Port Type N Female



## HG2371-17XP-065-4NF

### Features

- Tri Band frequency coverage for 2.3 GHz to 2.7 GHz, 5.15 GHz to 5.85 GHz and 5.9 GHz to 7.2 GHz
- Very High Gain 17 dBi to 20 dBi Directional Antenna with 2X2 MIMO peak performance
- Supports low-latency, bandwidth-hungry applications like high-definition video and augmented reality/virtual reality applications
- 2 Type N female connector x (2.3 GHz to 2.7 GHz + 5.15 GHz to 5.85 GHz) and 2 Type N female connectors x (5.9 GHz to 7.2 GHz)
- 65° beamwidth with dual +/-45 slant polarization
- 100 W max input power per port
- Easy Install mounting bracket provided
- Weatherproof ABS – UV Resistance PVC radome

### Applications

- 2X2 MIMO ready with Dual bands in one shell configuration
- Outdoor and indoor tri band Wi-Fi6 and Wi-Fi 6E 2.4/5GHz/6GHz applications supported
- Wireless LAN systems & IEEE.802.16ax applications with MU-MIMO and OFDMA
- WiFi 6 and WiFi 6E enables higher data rates up to 35% with enhanced efficiency and speed
- Increased Bandwidth enhances spectral efficiency and supports faster radio applications
- Smart cities expansion for coverage and IOT / IIOT
- Point-to-point (PtP) or point-to-multipoint (PtMP) applications

### Description

L-Com's WiFi 6e Sector Antenna HG2371-17XP-065-4NF is in stock and ready to ship on the same-day of order. The frequency range of the HG2371-17XP-065-4NF sector antennas is 2300 MHz to 7200 MHz with a gain of 17–20–17 dBi. This multi band MIMO antenna supports Wi-Fi latest frequency band and has a 65-degree beam width. The 4- ports 2300-7200 MHz sector antenna include N-type female connectors with +/-45 slant polarization.

The N-type MIMO omni antenna covers a wide range of frequency bands up to 7.2GHz and is shorter than 40-inches for universal zoning compliance. The HG2371-17XP-065-4NF unlicensed WiFi 6 frequency bands sector antenna is "future-proof" in regard to network capabilities without any add-ons. The type N female sector antenna can handle maximum input power of 100 watts and uses universal radio mounts.

The WiFi 6e antenna is 2x2 MIMO ready and offers Dual slant +/- 45 polarizations, degree and 90-degree options and covers extensive frequency bands up to 7.2 GHz. These Wi-Fi 6 antennas are a good fit for the telecommunications industry and for indoor (stadium, large arenas) plus outdoor applications. The HG2371-17XP-065-4NF antennas are equipped with universal radio brackets.

These MIMO multi-port Wi-Fi 6e antennas can operate in the unlicensed bands of 6 GHz. These omni antennas can also operate within the latest Wi-Fi bands of 2.3 GHz to 7.2 GHz.

Contact L-Com's expert technical support for assistance with the Wi-Fi sector antenna or any sector antenna. Download our HG2371-17XP-065-4NF datasheet with specifications and CAD drawing with dimensions for details. Our knowledgeable sales team simplifies the purchasing process and ensures that your Wi-Fi 6e sector antenna cable will be exact to specification.

Order your Wi-Fi 6e Sector Antenna HG2371-17XP-065-4NF from L-com today. There is no MOQ (minimum order quantity) and the product ships same day from our warehouse.

Click the following link (or enter part number in "SEARCH" on website) to obtain additional part information including price, inventory and certifications:  
[2300-2700 MHz / 5150- 5850 MHz / 5900-7200 MHz, 17 / 20 / 17 dBi, Wifi MIMO Sector Antenna, 65-degree, +/-45 Dual Pol, 4-Port Type N Female](#)

2300-2700 MHz / 5150- 5850 MHz / 5900-7200 MHz, 17 / 20 / 17 dBi, Wifi  
MIMO Sector Antenna, 65-degree, +/-45 Dual Pol, 4-Port Type N Female



## HG2371-17XP-065-4NF

### Configuration

Design	Sector
Band Type	Multi
Radiation Pattern	Directional
Polarization	45 Deg. Slant
Connector Type	N Female
Interface 2	N Female
Interface 3	N Female
Interface 4	N Female
Number of Ports	4
Lightning Protection	DC Grounded

### Electrical Specifications

Description	Minimum	Typical	Maximum	Units
Input VSWR			2:1	
Impedance		50		Ohms
Front to Back Ratio	25			dB
Electrical Downtilt		4		Degrees
Port to Port Isolation	20			dB
Input Power			100	Watts

### Specifications by Band

Description	Band 1	Band 2	Band 3	Band 4	Band 5	Units
Range	2.3 to 2.7	5.15 to 5.85	5.9 to 7.2			GHz
Gain	17	20	17			dBi
Horizontal HPBW	65	65	65			Degrees
Vertical HPBW	8	4	8			Degrees
Port to Port Isolation	20	20	20			dB
Front to Back Ratio	25	25	25			dB

### Mechanical Specifications

Radome Material	PVC
<b>Size</b>	
Length	34.64 in [879.86 mm]
Width	11.02 in [279.91 mm]
Height	3.14 in [79.76 mm]

2300-2700 MHz / 5150- 5850 MHz / 5900-7200 MHz, 17 / 20 / 17 dBi, Wifi  
MIMO Sector Antenna, 65-degree, +/-45 Dual Pol, 4-Port Type N Female



## HG2371-17XP-065-4NF

---

Mounting Mast Diameter	1.181 to 2.362 in [30.00 to 59.99 mm]
Weight	11.02 lbs [5 kg]

### Environmental Specifications

#### Temperature

Operating Range	-40 to +60 deg C
Wind Survivability	134 MPH [215.65 KPH]

**Compliance Certifications** (see [product page](#) for current document)

### Plotted and Other Data

Notes:

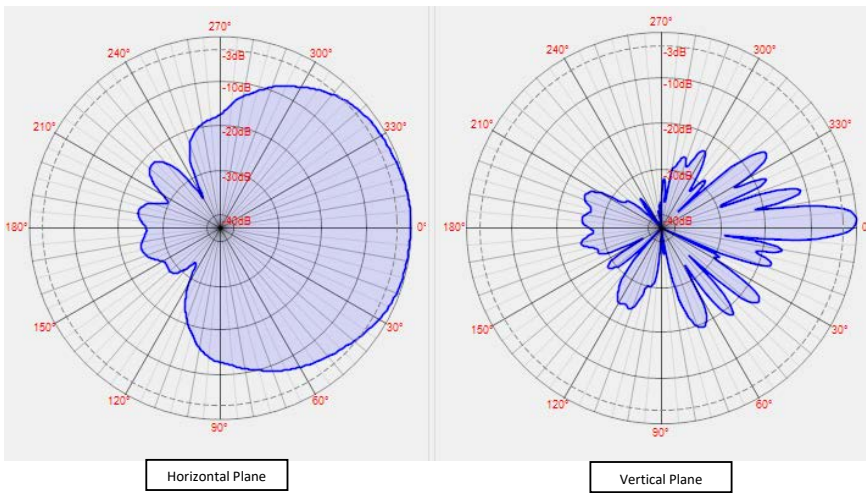
2300-2700 MHz / 5150- 5850 MHz / 5900-7200 MHz, 17 / 20 / 17 dBi, Wifi MIMO Sector Antenna, 65-degree, +/-45 Dual Pol, 4-Port Type N Female



**HG2371-17XP-065-4NF**

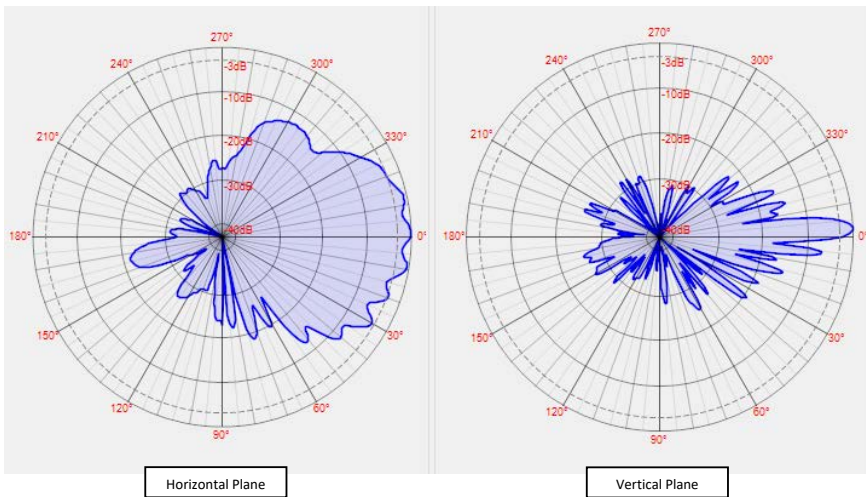
Frequency: 2300 MHz

Gain: 14.81 dBi



Frequency: 5700 MHz

Gain: 16.14 dBi



2300-2700 MHz / 5150- 5850 MHz / 5900-7200 MHz, 17 / 20 / 17 dBi, Wifi MIMO Sector Antenna, 65-degree, +/-45 Dual Pol, 4-Port

2300-2700 MHz / 5150- 5850 MHz / 5900-7200 MHz, 17 / 20 / 17 dBi, Wifi  
MIMO Sector Antenna, 65-degree, +/-45 Dual Pol, 4-Port Type N Female

## HG2371-17XP-065-4NF

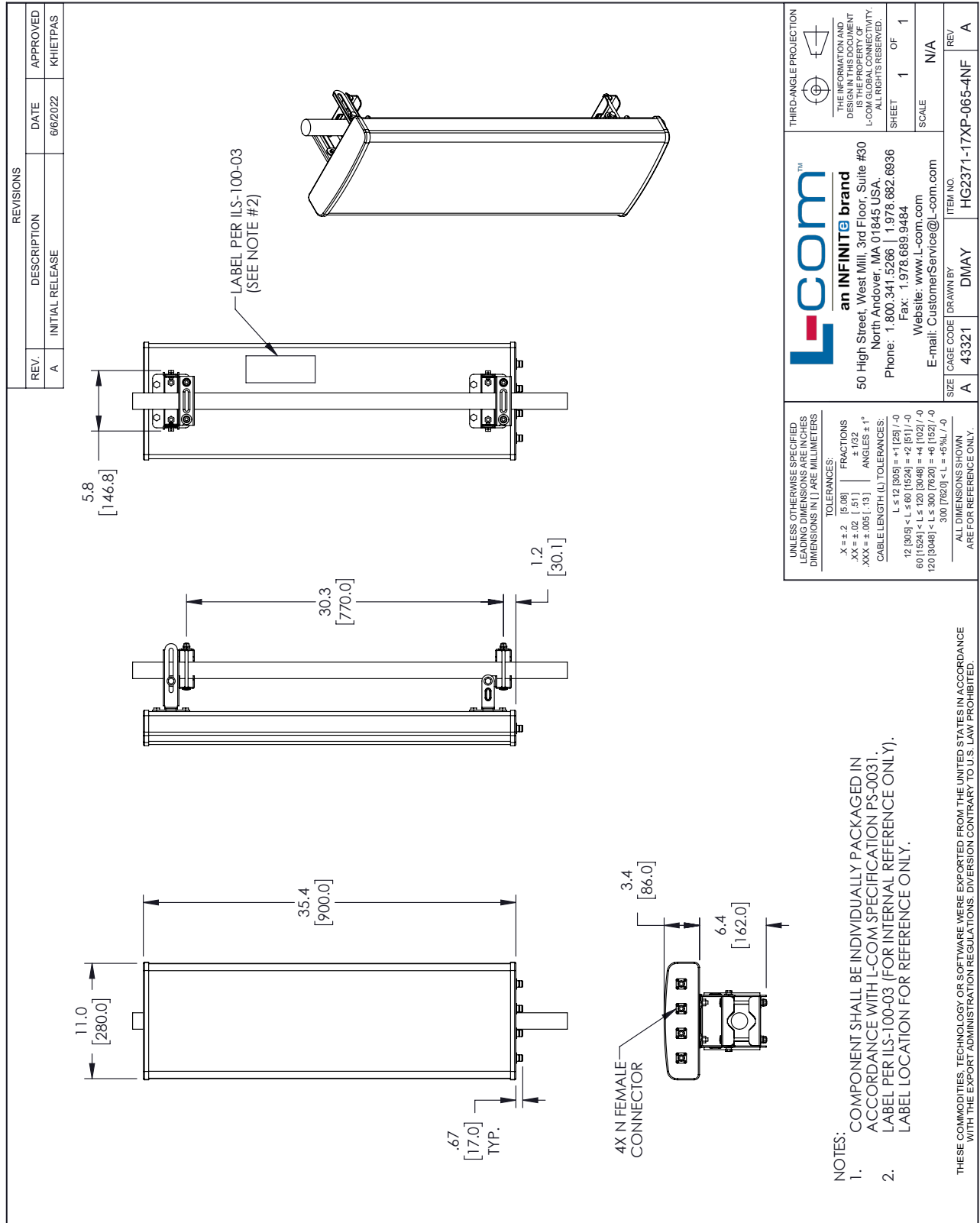


Type N Female from L-com has same day shipment for domestic and International orders. Our portfolio includes coaxial cable assemblies, connectors, adapters and custom products as well as lightning and surge protectors, NEMA rated enclosures, and an RF product line which includes antennas, amplifiers, passive, and active components.

The information contained within this document is accurate to the best of our knowledge and representative of the part described herein. It may be necessary to make modifications to the part and/or the documentation of the part in order to impliment improvements. L-com reserves the right to make such changes as required. Unless otherwise stated, all specifications are nominal. L-com does not make any representation or warranty regarding the suitability of the part described herein for any particular purpose, and L-com does not assume liability arising out of the use of any part or document.

2300-2700 MHz / 5150- 5850 MHz / 5900-7200 MHz, 17 / 20 / 17 dBi, Wifi MIMO  
Sector Antenna, 65-degree, +/-45 Dual Pol, 4-Port Type N Female

L-com CAD Drawing



**L-com™**  
an INFINITE brand

50 High Street, West Mill, 3rd Floor, Suite #30  
North Andover, MA 01845 USA  
Phone: 1.800.341.5266 | 1.978.682.6936  
Fax: 1.978.689.9484  
Website: www.L-com.com  
E-mail: CustomerService@L-com.com

UNLESS OTHERWISE SPECIFIED LEADING DIMENSIONS ARE IN INCHES DIMENSIONS IN [ ] ARE MILLIMETERS

TOLERANCES:  
 .X = ±.2 [5.08]      FRACTIONS ± 1/32  
 .XX = ±.02 [ .51]      ANGLES ± 1°  
 .XXX = ±.005 [ .13]

CABLE LENGTH (L) TOLERANCES:  
 L ≤ 12 [305] < L ≤ 60 [1524] = ±1.0% / -0  
 60 [1524] < L ≤ 120 [3048] = ±4.1% / -0  
 120 [3048] < L ≤ 300 [7620] = ±6.1% / -0  
 300 [7620] < L = ±5% / -0

ALL DIMENSIONS SHOWN ARE FOR REFERENCE ONLY.

- NOTES:
1. COMPONENT SHALL BE INDIVIDUALLY PACKAGED IN ACCORDANCE WITH L-COM SPECIFICATION PS-0031.
  2. LABEL PER ILS-100-03 (FOR INTERNAL REFERENCE ONLY). LABEL LOCATION FOR REFERENCE ONLY.

THESE COMMODITIES, TECHNOLOGY OR SOFTWARE WERE EXPORTED FROM THE UNITED STATES IN ACCORDANCE WITH THE EXPORT ADMINISTRATION REGULATIONS. DIVERSION CONTRARY TO U.S. LAW PROHIBITED.

T-Rev.D