

Embedded 2.4/5 GHz PCB Antenna, 3 dBi gain, IPEX Connector



## HG2458-03PU-100IPEX

### Features

- Highly efficient printed circuit board (PCB) design
- Designed for omni-directional applications
- Low profile, compact size
- IPEX connector

### Applications

- Integrate into self contained wireless equipment
- Embedded applications requiring integration flexibility
- 2.4 GHz & 5 GHz WLAN

### Description

The HG2458-03PU-100IPEX is a multiband omnidirectional antenna designed to integrate into devices requiring wireless capability. By embedding these antennas directly into a device, the need for external antennas is eliminated. The omni-directional radiation pattern makes it ideal for multipoint and mobile wireless systems.

### Configuration

Cable Type	1.13mm
Connector Type	IPEX

### Electrical Specifications

Description	Minimum	Typical	Maximum	Units
Input VSWR			2:01	
Impedance		50		Ohms
Gain			3	

### Specifications by Band

Description	Band 1	Band 2	Band 3	Band 4	Band 5	Units
Range	2,400-2,500	5,150-5,850				MHz

### Mechanical Specifications

<b>Size</b>	
Length	1.37795 in [35 mm]
Width	0.314961 in [8 mm]

### Environmental Specifications

<b>Temperature</b>	
Operating Range	-20 to +65 deg C

Click the following link (or enter part number in "SEARCH" on website) to obtain additional part information including price, inventory and certifications:  
[Embedded 2.4/5 GHz PCB Antenna, 3 dBi gain, IPEX Connector HG2458-03PU-100IPEX](#)

Embedded 2.4/5 GHz PCB Antenna, 3 dBi gain, IPEX Connector

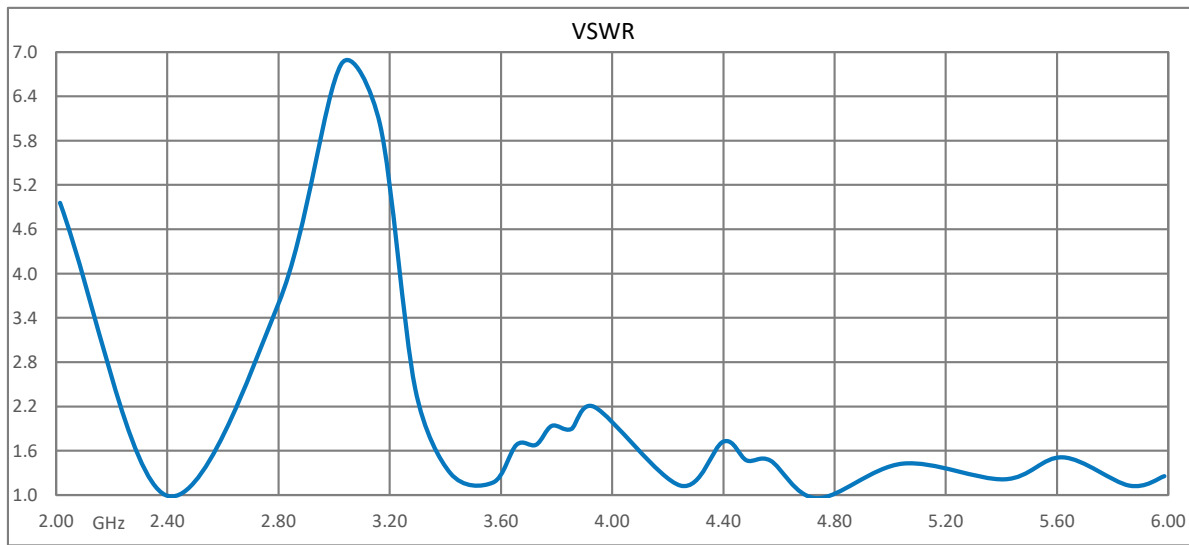


## HG2458-03PU-100IPEX

**Compliance Certifications** (see [product page](#) for current document)

### Plotted and Other Data

Notes:

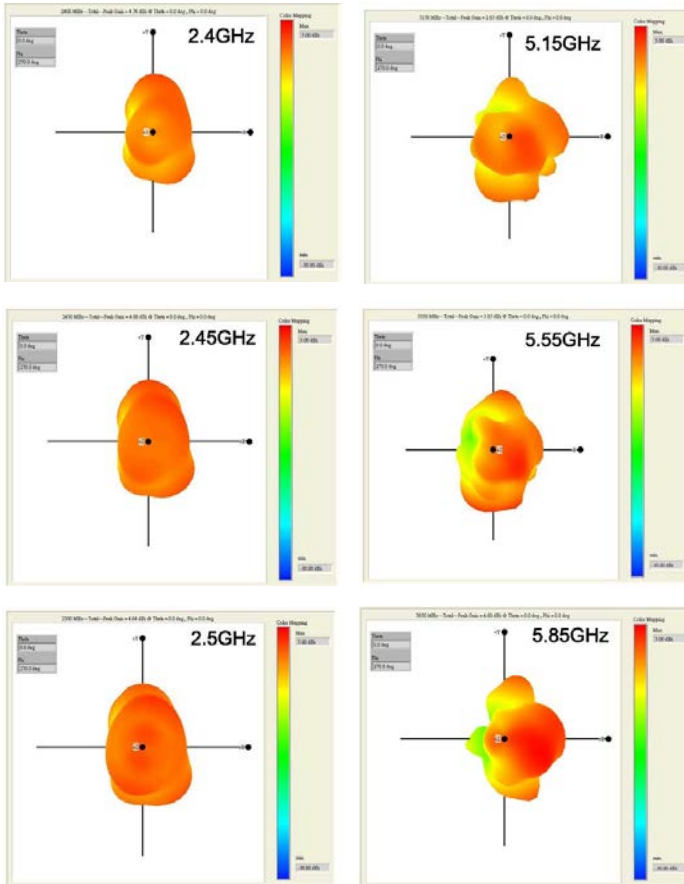


Embedded 2.4/5 GHz PCB Antenna, 3 dBi gain, IPEX Connector



**HG2458-03PU-100IPEX**

Frequency (GHz)	2.4	2.45	2.5	5.15	5.55	5.85
Directivity (dBi)	3.54	4.08	3.87	2.81	3.83	4.57
Efficiency (dB)	4.23	4.24	4.16	4.78	5.50	6.71
Efficiency (%)	85.23	96.35	93.52	63.52	68.10	61.04
Peak Gain (dBi)	3.54	4.08	3.87	2.81	3.83	4.57



Embedded 2.4/5 GHz PCB Antenna, 3 dBi gain, IPEX Connector from L-com has same day shipment for domestic and International

Embedded 2.4/5 GHz PCB Antenna, 3 dBi gain, IPEX Connector

## HG2458-03PU-100IPEX

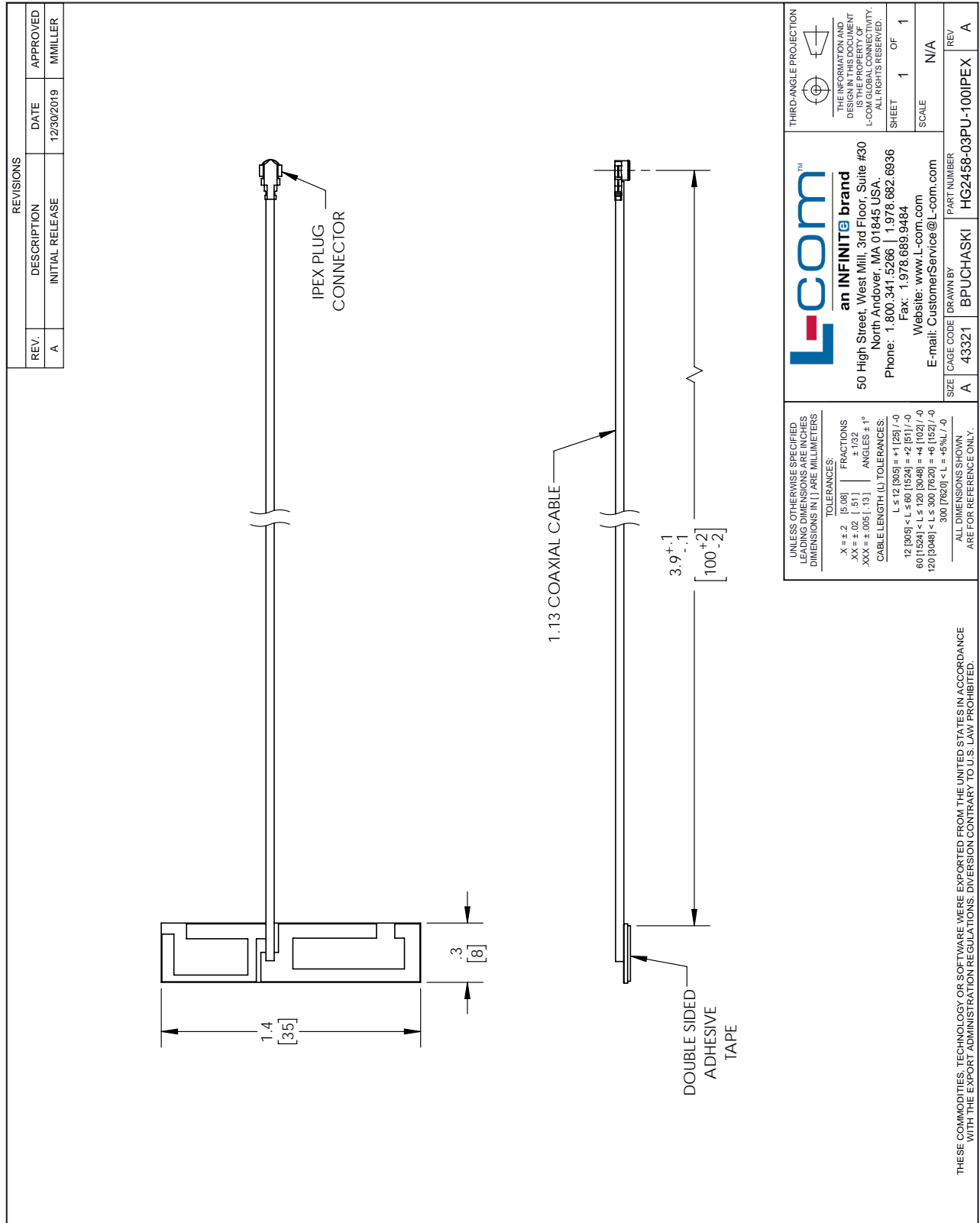


orders. Our portfolio includes coaxial cable assemblies, connectors, adapters and custom products as well as lightning and surge protectors, NEMA rated enclosures, and an RF product line which includes antennas, amplifiers, passive, and active components.

The information contained within this document is accurate to the best of our knowledge and representative of the part described herein. It may be necessary to make modifications to the part and/or the documentation of the part in order to impliment improvements. L-com reserves the right to make such changes as required. Unless otherwise stated, all specifications are nominal. L-com does not make any representation or warranty regarding the suitability of the part described herein for any particular purpose, and L-com does not assume liability arising out of the use of any part or document.

# Embedded 2.4/5 GHz PCB Antenna, 3 dBi gain, IPEX Connector

## L-com CAD Drawing



<p><b>L-com™</b> an INFINITE brand</p> <p>50 High Street, West Mill, 3rd Floor, Suite #30 North Andover, MA 01845, USA. Phone: 1.800.341.5266   1.978.682.6936 Fax: 1.978.689.9484 Website: www.L-com.com E-mail: CustomerService@L-com.com</p>	<p>THIRD-ANGLE PROJECTION</p> <p>THE INFORMATION AND DIMENSIONS SHOWN ARE THE PROPERTY OF L-COM GLOBAL CONNECTIVITY. ALL RIGHTS RESERVED.</p> <p>SHEET 1 OF 1</p> <p>SCALE N/A</p>
<p>UNLESS OTHERWISE SPECIFIED LEADING DIMENSIONS ARE IN INCHES DIMENSIONS IN [ ] ARE IN MILLIMETERS</p> <p>TOLERANCES:</p> <p>.X = ±.2 [5.08]      FRACTIONS      ± 1/32</p> <p>.XX = ±.02 [ .51 ]      ANGLES ± 1°</p> <p>.XXX = ±.005 [ .13 ]</p> <p>CABLE LENGTH (L) TOLERANCES:</p> <p>L ≤ 12 [305] = ±1 [25] / -0</p> <p>12 [305] &lt; L ≤ 60 [1524] = ±2 [51] / -0</p> <p>60 [1524] &lt; L ≤ 120 [3048] = ±4 [102] / -0</p> <p>120 [3048] &lt; L ≤ 300 [7620] = ±6 [152] / -0</p> <p>300 [7620] &lt; L = ±5%L / -0</p>	<p>ALL DIMENSIONS SHOWN ARE FOR REFERENCE ONLY.</p>
<p>THESE COMMODITIES, TECHNOLOGY OR SOFTWARE WERE EXPORTED FROM THE UNITED STATES IN ACCORDANCE WITH THE EXPORT ADMINISTRATION REGULATIONS. DIVERSION CONTRARY TO U.S. LAW PROHIBITED.</p>	<p>SIZE A      CAGE CODE 43321      DRAWN BY BPUCHASKI      PART NUMBER HG2458-03PU-100IPEX      REV A</p>

T-Rev.D