

3300-4200 MHz, 17 dBi, Sector Panel Antenna, 45 Deg. Slant Polarized, 4 x N-Type Female Connectors



HG3342DP-090-4NF

Features

- 3300 MHz to 4200 MHz, 17 dBi gain
- 90 deg. beamwidth sector antenna
- 4 x N-type female connector
- Weather proof - UV resistant PVC radome
- Dual slant polarization (+/- 45 deg.)
- VSWR < 2:1
- 100 W max input power per port

Applications

- Long distance backhaul
- Point to point data links (PtP)
- Point to multi-point data links (PtMP)
- Standard C-band and extended C-band
- 5G bands - n77, n78
- MIMO capability
- CBRS and extended CBRS
- 3 GHz WISP and LTE network

Description

L-com's HG3342DP-090-4NF is a 3300 – 4200 MHz MIMO directional panel antenna with a 17 dBi nominal gain. This antenna is well suited for multiple-input and multiple-output (MIMO) and a variety of telecom applications. The MIMO sector panel antenna has a front-to-back ratio of 28 dB with a 45 deg. slant polarization. Our high-quality single-band antenna has 4-ports and is DC grounded to protect against lightning. This N-type connectorized antenna supports the latest C bands and CBRS bands for 5G.

The HG3342DP-090-4NF sector panel antenna comes with an impedance of 50 Ohms and a max input power of 100 Watts. Our directional panel antenna is designed to withstand temperatures between -40 to 60 deg C. The HG3342DP-090-4NF from L-com has a minimum mounting pole diameter of 1.18 inches and a maximum mounting pole diameter of 2.36 inches.

Our 3300 – 4200 MHz single-band directional panel antenna has a gain of 17 dBi and an N-type connector. L-com's HG3342DP-090-4NF antenna with 100 Watts max input power has 90 degrees of horizontal and 6 degrees of vertical HPBW. This 45 deg. slant polarized antenna has a gray-colored radome made of PVC.

L-com has the largest in-stock selection of N-type female connectorized 3300 – 4200 MHz MIMO sector panel antenna with same-day shipment. Make your online purchase right now to take advantage of our same-day shipping. For further information on similar products, our expert technical support and knowledgeable sales team can help you get the ideal 45 deg. slant polarized antenna for your requirements.

Configuration

Design	Panel
Application Band	MIMO
Band Type	Single
Radiation Pattern	Directional
Polarization	45 Deg. Slant
Connector Type	N Female
Interface 2	N Female
Interface 3	N Female
Interface 4	N Female
Number of Ports	4
Lightning Protection	DC Grounded

Click the following link (or enter part number in "SEARCH" on website) to obtain additional part information including price, inventory and certifications: [3300-4200 MHz, 17 dBi, Sector Panel Antenna, 45 Deg. Slant Polarized, 4 x N-Type Female Connectors HG3342DP-090-4NF](#)

3300-4200 MHz, 17 dBi, Sector Panel Antenna, 45 Deg.
Slant Polarized, 4 x N-Type Female Connectors



HG3342DP-090-4NF

Electrical Specifications

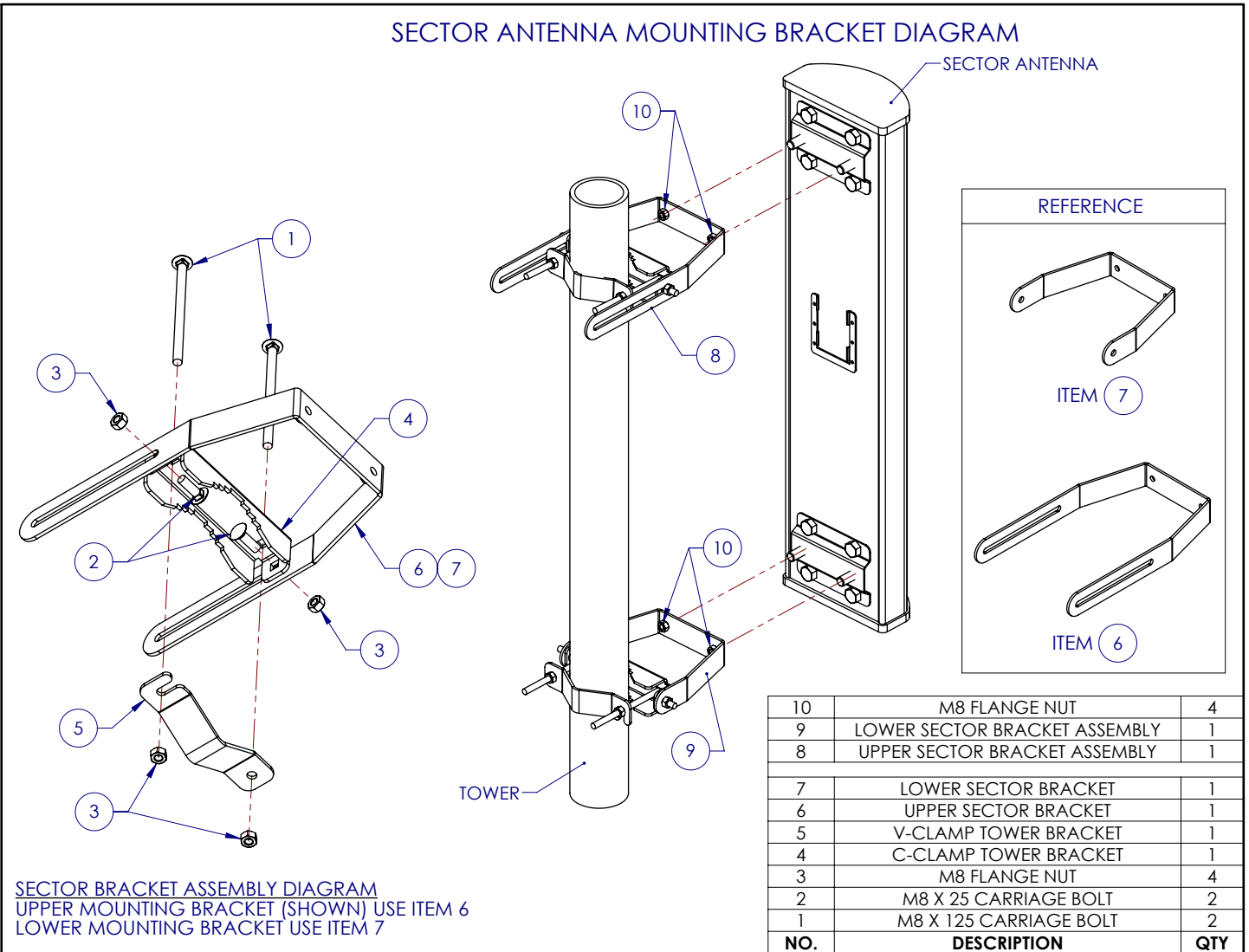
Description	Minimum	Typical	Maximum	Units
Frequency Range	3,300		4,200	MHz
Input VSWR			2:1	
Impedance		50		Ohms
Gain		17		dBi
Front to Back Ratio	28			dB
Port to Port Isolation	28			dB
Horizontal (Azimuth) HPBW		90		Degrees
Vertical (Elevation) HPBW		6		Degrees
Input Power			100	Watts

3300-4200 MHz, 17 dBi, Sector Panel Antenna, 45 Deg.
Slant Polarized, 4 x N-Type Female Connectors

HG3342DP-090-4NF

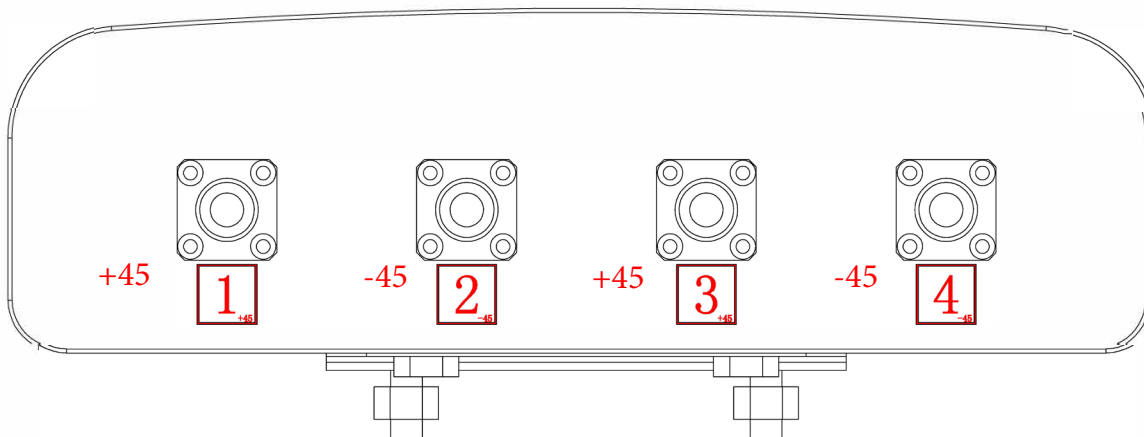


SECTOR ANTENNA MOUNTING BRACKET DIAGRAM



3300-4200 MHz, 17 dBi, Sector Panel Antenna, 45 Deg.
Slant Polarized, 4 x N-Type Female Connectors

HG3342DP-090-4NF



Mechanical Specifications

Radome Material

PVC

Size

Length

31.69 in [804.93 mm]

Width

11.02 in [279.91 mm]

Height

3.15 in [80.01 mm]

Mounting Mast Diameter

1.18 to 2.36 in [29.97 to 59.94 mm]

Weight

9.9225 lbs [4.5 kg]

3300-4200 MHz, 17 dBi, Sector Panel Antenna, 45 Deg.
Slant Polarized, 4 x N-Type Female Connectors



HG3342DP-090-4NF

Environmental Specifications

Temperature

Operating Range

-40 to +60 deg C

Wind Survivability

134 MPH [215.65 KPH]

Compliance Certifications (see [product page](#) for current document)

Plotted and Other Data

Notes:

3300-4200 MHz, 17 dBi, Sector Panel Antenna, 45 Deg. Slant Polarized, 4 x N-Type Female Connectors from L-com has same day shipment for domestic and International orders. Our portfolio includes coaxial cable assemblies, connectors, adapters and custom products as well as lightning and surge protectors, NEMA rated enclosures, and an RF product line which includes antennas, amplifiers, passive, and active components.

The information contained within this document is accurate to the best of our knowledge and representative of the part described herein. It may be necessary to make modifications to the part and/or the documentation of the part in order to impliment improvements. L-com reserves the right to make such changes as required. Unless otherwise stated, all specifications are nominal. L-com does not make any representation or warranty regarding the suitability of the part described herein for any particular purpose, and L-com does not assume liability arising out of the use of any part or document.

