

3300-4200 MHz, 2-Foot, 24 dBi, Parabolic Dish Antenna, Vertical/
Horizontal Polarized, 2 x N-Type Female Connectors



HG3342DP-24D

Features

- 2-Foot parabolic antenna
- 3300 MHz to 4200 MHz, 24 dBi gain
- 915mm LMR200 pigtail
- 2 x N-type female connector
- All aluminum dish material
- Dual polarization (V/H)
- VSWR < 2:1
- 100 W max input power per port

Applications

- Long distance backhaul
- Point to point data links (PtP)
- Point to multi-point data links (PtMP)
- Standard C-band and extended C-band
- 5G bands - n77, n78
- MIMO capability
- CBRS and extended CBRS
- 3 GHz WISP and LTE network

Description

L-com's HG3342DP-24D is a 3300 – 4200 MHz directional dish antenna with a 24 dBi nominal gain. The 2-foot parabolic dish antenna has a front-to-back ratio of 30 dB with vertical/horizontal polarization. Our high-quality single-band dual polarized antenna has 2-ports and is DC grounded to protect against lightning. This N-type connectorized antenna supports the latest C bands and CBRS bands for 5G.

The HG3342DP-24D parabolic dish antenna comes with an impedance of 50 Ohms and a max input power of 100 Watts. Our 2-foot directional dish antenna is designed to withstand temperatures between -40 to 60 deg C. The HG3342DP-24D from L-com has a minimum mounting pole diameter of 1.18 inches and a maximum mounting pole diameter of 2.36 inches.

Our 3300 – 4200 MHz single-band directional dish antenna has a gain of 24 dBi and an N-type connector. L-com's HG3342DP-24D dual polarized antenna with 100 Watts max input power has 9 degrees of horizontal and 9 degrees of vertical HPBW. This vertical/horizontal polarized antenna has a gray-colored radome made of aluminum alloy.

L-com has the largest in-stock selection of N-type female connectorized 3300 – 4200 MHz parabolic dish antenna with same-day shipment. Make your online purchase right now to take advantage of our same-day shipping. For further information on similar products, our expert technical support and knowledgeable sales team can help you get the ideal vertical/horizontal polarized antenna for your requirements.

Configuration

Design	Dish
Band Type	Single
Radiation Pattern	Directional
Polarization	Vertical/Horizontal
Cable Type	LMR200
Cable Length	36.02 in [914.91 mm]
Connector Type	N Female
Interface 2	N Female
Number of Ports	2
Lightning Protection	DC Grounded

Click the following link (or enter part number in "SEARCH" on website) to obtain additional part information including price, inventory and certifications:
[3300-4200 MHz, 2-Foot, 24 dBi, Parabolic Dish Antenna, Vertical/Horizontal Polarized, 2 x N-Type Female Connectors HG3342DP-24D](#)

3300-4200 MHz, 2-Foot, 24 dBi, Parabolic Dish Antenna, Vertical/
Horizontal Polarized, 2 x N-Type Female Connectors



HG3342DP-24D

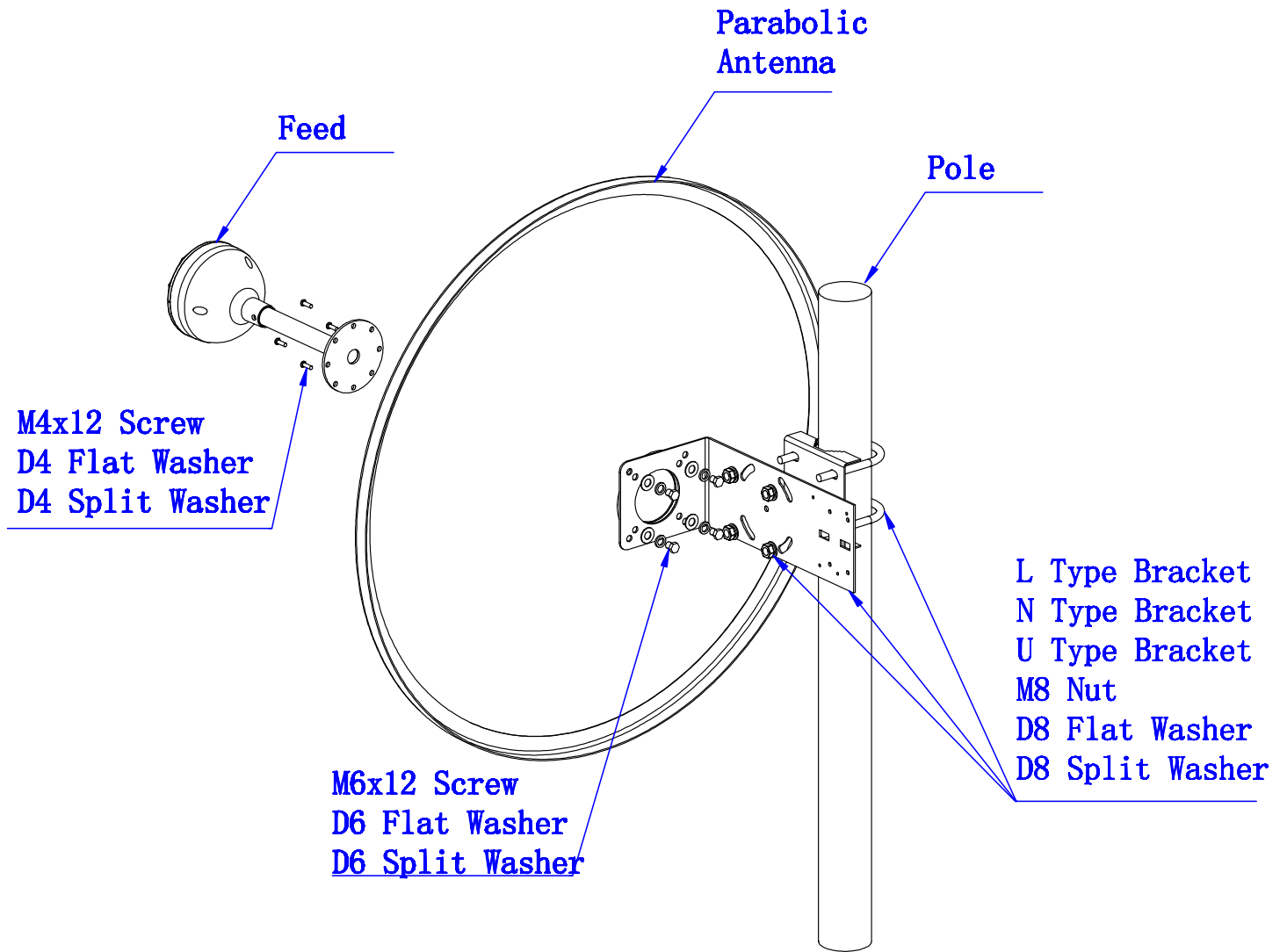
Electrical Specifications

Description	Minimum	Typical	Maximum	Units
Frequency Range	3,300		4,200	MHz
Input VSWR			2:1	
Impedance		50		Ohms
Gain		24		dBi
Front to Back Ratio	30			dB
Horizontal (Azimuth) HPBW		9		Degrees
Vertical (Elevation) HPBW		9		Degrees
Input Power			100	Watts

3300-4200 MHz, 2-Foot, 24 dBi, Parabolic Dish Antenna, Vertical/
Horizontal Polarized, 2 x N-Type Female Connectors



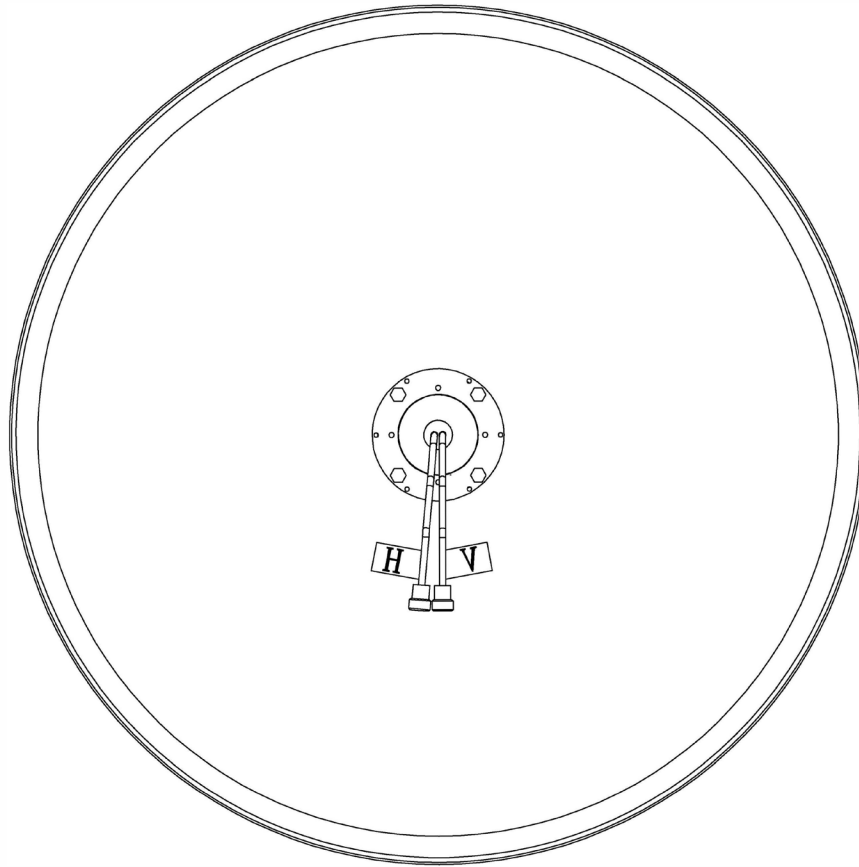
HG3342DP-24D



3300-4200 MHz, 2-Foot, 24 dBi, Parabolic Dish Antenna, Vertical/
Horizontal Polarized, 2 x N-Type Female Connectors



HG3342DP-24D



Mechanical Specifications

Radome Material	Aluminium alloy
Size	
Length	23.62 in [599.95 mm]
Width	23.62 in [599.95 mm]
Height	8 in [203.2 mm]
Mounting Mast Diameter	1.18 to 2.36 in [29.97 to 59.94 mm]
Weight	4.41 lbs [2 kg]

3300-4200 MHz, 2-Foot, 24 dBi, Parabolic Dish Antenna, Vertical/
Horizontal Polarized, 2 x N-Type Female Connectors



HG3342DP-24D

Environmental Specifications

Temperature

Operating Range

-40 to +60 deg C

Wind Survivability

134 MPH [215.65 KPH]

Compliance Certifications (see [product page](#) for current document)

Plotted and Other Data

Notes:

3300-4200 MHz, 2-Foot, 24 dBi, Parabolic Dish Antenna, Vertical/Horizontal Polarized, 2 x N-Type Female Connectors from L-com has same day shipment for domestic and International orders. Our portfolio includes coaxial cable assemblies, connectors, adapters and custom products as well as lightning and surge protectors, NEMA rated enclosures, and an RF product line which includes antennas, amplifiers, passive, and active components.

The information contained within this document is accurate to the best of our knowledge and representative of the part described herein. It may be necessary to make modifications to the part and/or the documentation of the part in order to implement improvements. L-com reserves the right to make such changes as required. Unless otherwise stated, all specifications are nominal. L-com does not make any representation or warranty regarding the suitability of the part described herein for any particular purpose, and L-com does not assume liability arising out of the use of any part or document.

3300-4200 MHz, 2-Foot, 24 dBi, Parabolic Dish Antenna, Vertical/
Horizontal Polarized, 2 x N-Type Female Connectors

L-com CAD Drawing

