

4950 MHz to 7125 MHz, 3-foot Parabolic Antenna,
2x2 MIMO, 34 dBi, RPSMA, 2 Pack



HG4971DP-34D-RSP

Features

- 3-Foot standard parabolic antenna
- 4950 to 7125 MHz, 34 dBi
- VSWR < 2.5:1
- All aluminum dish
- Dual slant (V/H or $\pm 45^\circ$)
- 50 W max input power per port
- 2 x RPSMA female connectors
- DC ground

Applications

- Long distance backhaul
- Point to point data links (PtP)
- Point to multi-point data links (PtMP)
- Wi-Fi 5, Wi-Fi 6, Wi-Fi 6E and Wi-Fi 7
- Unlicensed 5GHz and 6GHz bands
- 5G bands - n46, n47, n96, n102, n104
- 2x2 MIMO capability
- High speed internet access

Description

The L-Com HG4971DP-34D-RSP parabolic antenna is for point to point communications that uses a parabolic reflector to direct the waves to the receiver in its focal point. It has a frequency range of 4950 to 7125 MHz, providing stability over a wide bandwidth to support gigabit transmissions and has operating temperature ranging from -40°C to 70°C (-32°F to 158°F). This antenna has a 34 dBi high gain, which describes electrical power conversion capability.

The L-Com HG4971DP-34D-RSP parabolic antenna has an RP-SMA connector capable of carrying microwave frequencies used to join coaxial cables. This point to point antenna has a 50 Ohms impedance and is highly directional, which means it receives greater power in a specific direction. This antenna features dual slant (V/H or $\pm 45^\circ$) polarization, which makes them compatible with any single or dual polarized 2 x 2 MIMO radio and eliminates the risk of link strength degradation due to polarization mismatch.

The L-Com white parabolic antenna is of 3 feet size and has less than 2.5 VSWR (Voltage Standing Wave Ratio) that results in the best power transfer and reduced losses. It has 50 W maximum power per port within which it has the ability to perform without damage. This antenna has dc ground lightning protection to protect the system from damage due to lightning strikes.

This L-Com HG4971DP-34D-RSP parabolic antenna, 4950 to 7125 MHz, 34 dBi is in stock and ready to ship same-day. This high-performance 34 dBi wifi 6e antenna is ideal for 4.9/5.1/5.3/5.4/5.8/6 GHz ISM and UNII band, Wi-Fi 6e and Wi-Fi 7, and long distance backhaul and point to point data link applications. Based on your specifications, our expert technical support and highly trained sales team can find the ideal 4950 to 7125 MHz, 34 dBi parabolic antenna.

Configuration

| | |
|----------------------|----------------------|
| Design | Parabolic |
| Application Band | MIMO |
| Band Type | Single |
| Polarization | H/V or 45 Deg. Slant |
| Connector Type | SMA Reverse Polarity |
| Interface 2 | SMA Reverse Polarity |
| Number of Ports | 2 |
| Lightning Protection | DC Grounded |

Click the following link (or enter part number in "SEARCH" on website) to obtain additional part information including price, inventory and certifications:
4950 MHz to 7125 MHz, 3-foot Parabolic Antenna, 2x2 MIMO, 34 dBi, RPSMA, 2 Pack HG4971DP-34D-RSP

4950 MHz to 7125 MHz, 3-foot Parabolic Antenna,
2x2 MIMO, 34 dBi, RPSMA, 2 Pack



HG4971DP-34D-RSP

Electrical Specifications

| Description | Minimum | Typical | Maximum | Units |
|---------------------------|---------|---------|---------|---------|
| Frequency Range | 4,950 | | 7,125 | MHz |
| Input VSWR | | | 2:1 | |
| Impedance | | 50 | | Ohms |
| Front to Back Ratio | 40 | | | dB |
| Horizontal (Azimuth) HPBW | | 3.5 | | Degrees |
| Vertical (Elevation) HPBW | | 3.5 | | Degrees |
| Input Power | | | 50 | Watts |

Specifications by Band

| Description | Band 1 | Band 2 | Band 3 | Band 4 | Band 5 | Units |
|-------------|----------|---------|-----------|--------|--------|-------|
| Range | 4.95-5.1 | 5.1-5.9 | 5.9-7.125 | | | GHz |
| Gain | 31.5 | 32.5 | 34 | | | dBi |
| VSWR Max | 2.5:1 | 2:1 | 2:1 | | | |

Mechanical Specifications

| | |
|------------------------|--|
| Radome Material | Aluminum |
| Size | |
| Length | 35.4 in [899.16 mm] |
| Width | 35.4 in [899.16 mm] |
| Height | 17 in [431.8 mm] |
| Mounting Mast Diameter | 1.1811 to 3.14961 in [30.00 to 80.00 mm] |
| Weight | 22 lbs [9.98 kg] |

Environmental Specifications

| | |
|--------------------|------------------|
| Temperature | |
| Operating Range | -40 to +70 deg C |

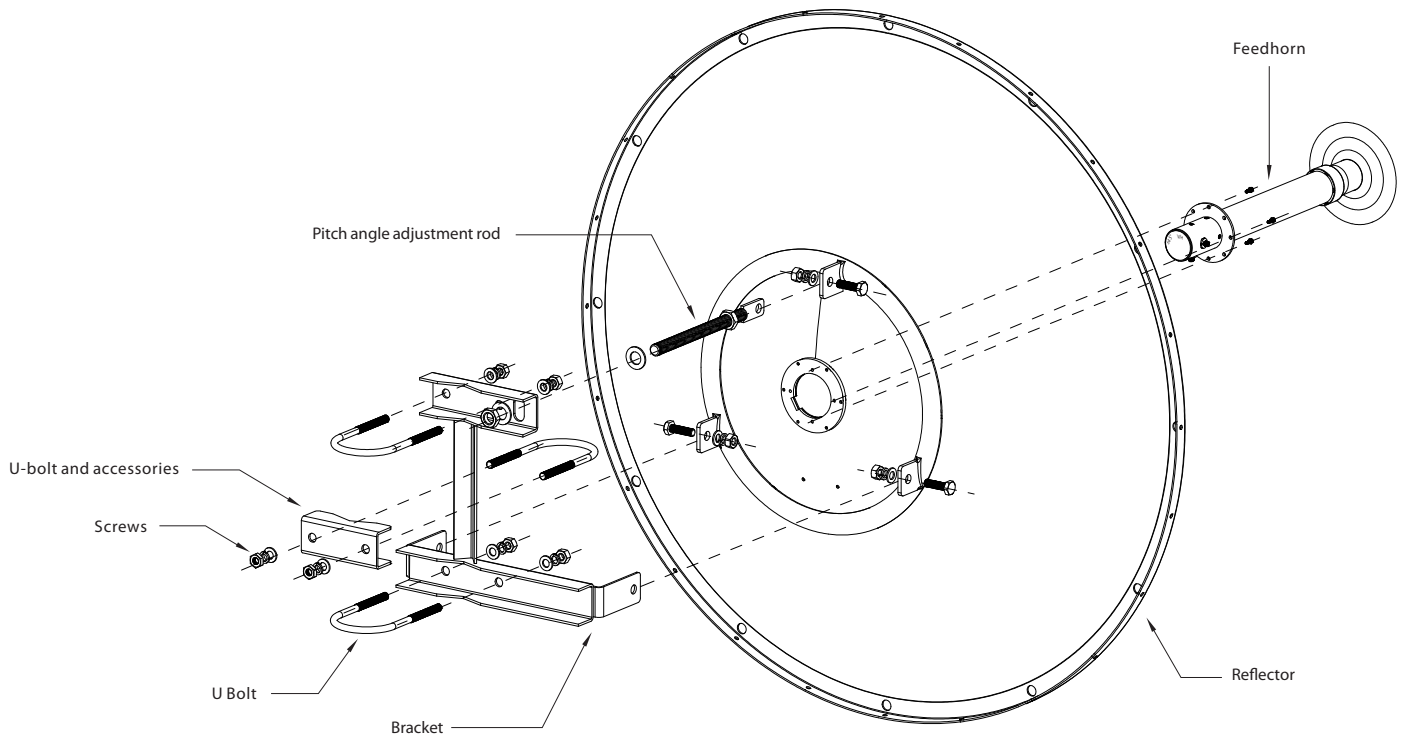
Compliance Certifications (see [product page](#) for current document)

Plotted and Other Data

Notes:

4950 MHz to 7125 MHz, 3-foot Parabolic Antenna,
2x2 MIMO, 34 dBi, RPSMA, 2 Pack

HG4971DP-34D-RSP



4950 MHz to 7125 MHz, 3-foot Parabolic Antenna, 2x2 MIMO, 34 dBi, RPSMA, 2 Pack from L-com has same day shipment for domestic and International orders. Our portfolio includes coaxial cable assemblies, connectors, adapters and custom products as well as lightning and surge protectors, NEMA rated enclosures, and an RF product line which includes antennas, amplifiers, passive, and active components.

The information contained within this document is accurate to the best of our knowledge and representative of the part described herein. It may be necessary to make modifications to the part and/or the documentation of the part in order to impliment improvements. L-com reserves the right to make such changes as required. Unless otherwise stated, all specifications are nominal. L-com does not make any representation or warranty regarding the suitability of the part described herein for any particular purpose, and L-com does not assume liability arising out of the use of any part or document.

L-com CAD Drawing

