

4.9 - 6.4 GHz, MIMO, Directional Dish Antenna with C5x, C6x, B5x Mimosa Adapter, 4-foot



## HG4971DP-36DC-C5X

### Features

- Twist-on antenna for Mimosa C5x, C6x and B5x PTP
- 4-Foot parabolic antenna
- All aluminum dish material
- Wooden crate packaging
- Dual linear polarization (V/H or +/-45 deg.)
- 4900 to 6400 MHz, 36dBi Gain

### Applications

- Long distance backhaul
- Point to point data links
- 4.9/5.1/5.3/5.4/5.8/6 GHz ISM and UNII band
- Wi-Fi 2.4 and Wi-Fi 5
- MIMO capability available
- 4.9 GHz public safety
- Licensed frequencies up to 6.4 GHz

### Description

L-Com's HG4971DP-36DC-C5X is a 4900 - 6400 MHz, MIMO directional dish antenna with a 36 dBi nominal gain. This antenna is well suited for multiple-input and multiple-output (MIMO) and a variety of telecom applications. The MIMO antenna has a front-to-back ratio of 42 dB with a +/-45 Deg. Slant or V/H polarization. This MIMO dish antenna is suitable for the enterprise, industrial, telecom operators, radio OEMs, network deployment, backhaul engineers, and telecom industries.

The HG4971DP-36DC-C5X dish antenna comes with an impedance of 50 Ohms and a max input power of 50 Watts. Our directional dish antenna is designed to withstand temperatures between -40 to +70 deg C. Our 4 foot MIMO dish antenna supports B5x, C6x and C5x MIMOSA easy twist-on adapters for radio heads. The HG4971DP-36DC-C5X from L-Com has a minimum mounting pole diameter of 1.1 inches and a maximum mounting pole diameter of 3.1 inches.

Our 4900 - 6400 MHz multi-band directional dish antenna has a gain of 36 dBi and a C5X type connector. This 4 foot C5X dish antenna comes with a reliable, rugged, and flexible MIMOSA adapter and features dual linear polarization. This multi band directional industrial antenna has a port to port isolation of 30 dB and 3-degree horizontal and 3-degree vertical HPBW. Our 4 foot long multi band gray dish antenna has a maximum VSWR of 2.5:1.

L-Com has the largest in-stock selection of C5X-type connectorized 4900 - 6400 MHz MIMO dish antenna with the same-day shipment. Make your online purchase right now to take advantage of our same-day shipping. For further information on similar products, our expert technical support and knowledgeable sales team can help you get the ideal +/-45 Deg. Slant or V/H polarized multi-band antenna for your requirements.

### Configuration

Design	Dish
Application Band	MIMO
Band Type	Multi
Radiation Pattern	Directional
Polarization	45 Deg. Slant
Connector Type	C5X, C6X, B5X
Lightning Protection	DC Ground

Click the following link (or enter part number in "SEARCH" on website) to obtain additional part information including price, inventory and certifications:  
[4.9 - 6.4 GHz, MIMO, Directional Dish Antenna with C5x, C6x, B5x Mimosa Adapter, 4-foot HG4971DP-36DC-C5X](#)

4.9 - 6.4 GHz, MIMO, Directional Dish Antenna with  
C5x, C6x, B5x Mimosa Adapter, 4-foot



## HG4971DP-36DC-C5X

### Electrical Specifications

Description	Minimum	Typical	Maximum	Units
Frequency Range	4,900		6,400	MHz
Input VSWR		2:01	2.5:1	
Impedance		50		Ohms
Gain	35	36	36.5	dBi
Front to Back Ratio	42			dB
Horizontal (Azimuth) HPBW		3		Degrees
Vertical (Elevation) HPBW		3		Degrees
Input Power			50	Watts

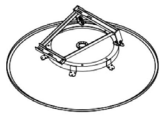
4.9 - 6.4 GHz, MIMO, Directional Dish Antenna with  
C5x, C6x, B5x Mimosa Adapter, 4-foot

**HG4971DP-36DC-C5X**

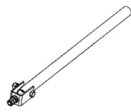


**Installation steps**

Before use this equipment, please read this guide for installing equipment quickly.



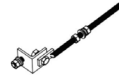
Antenna  
(Qty. 1pc)



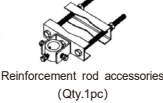
Reinforcement rod  
(Qty. 1pc)



Feedhorn  
(Qty. 1pc)



Pitch angle adjustment rod  
(Qty. 1pc)



Reinforcement rod accessories  
(Qty. 1pc)



Connector  
(Qty. 1pc)



U Bolt  
(Qty. 2pcs)



U-bolt and accessories  
(Qty. 1pc)



Stainless steel screws  
(for locking feedhorn)  
(M4 Qty. 4pcs)

**Bracket Installation**

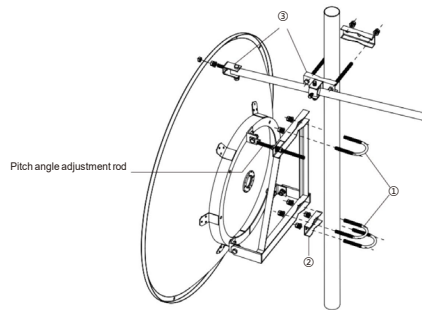
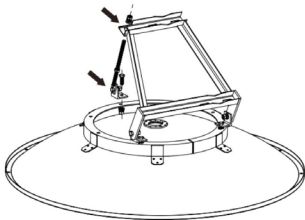
1. Remove the nuts at both ends of the adjusting rod. Pass one end through the hole of the fixed base at the bottom of the antenna, and fix it with nuts. Pass the other end through the hole of the bracket and tighten it clockwise with nut. (as shown in the figure)

2. ① Remove the nut on the U-bolt, select the appropriate position of the antenna to adjust the distortion of the antenna, lock the nut to the U-bolt, and fix the antenna.

② Remove the nuts on the U-bolt, fix it at the bottom of the antenna bracket, and lock it to the U-bolt with the nuts.

③ Fix one end of the reinforcing rod with the antenna, and the other end with the mast (as shown in the figure)

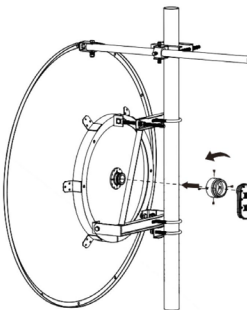
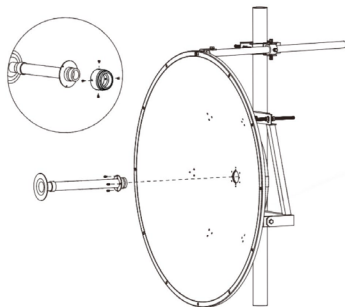
Note: The mounting assembly can accommodate a  $\varnothing 30 - 80\text{mm}$  pole.



3. ① Remove connector

② Install the feedhorn on the antenna and fix it with 3 M4 screws.

4. Screw the device clockwise into the connector and the holder, and then fix the device with 4 M4 hexagon socket screws.



**Specifications by Band**

4.9 - 6.4 GHz, MIMO, Directional Dish Antenna with C5x, C6x, B5x Mimosa Adapter, 4-foot



## HG4971DP-36DC-C5X

Description	Band 1	Band 2	Band 3	Band 4	Band 5	Units
Range	4.9 to 5.1	5.1 to 5.9	5.9 to 6.4			GHz
Gain	35	36	36.5			dBi
Port to Port Isolation	30	30	30			dB
VSWR Max	2.5:1	2:01	2:01			

### Mechanical Specifications

Base Material	Aluminum
Mounting Application	U-bolt
<b>Size</b>	
Length	47.2441 in [120 cm]
Width	47.2441 in [120 cm]
Height	18.8 in [477.52 mm]
Mounting Mast Diameter	1.18 to 3.15 in [29.97 to 80.01 mm]
Weight	88.1849 lbs [40 kg]

### Environmental Specifications

<b>Temperature</b>	
Operating Range	-40 to +70 deg C

**Compliance Certifications** (see [product page](#) for current document)

### Plotted and Other Data

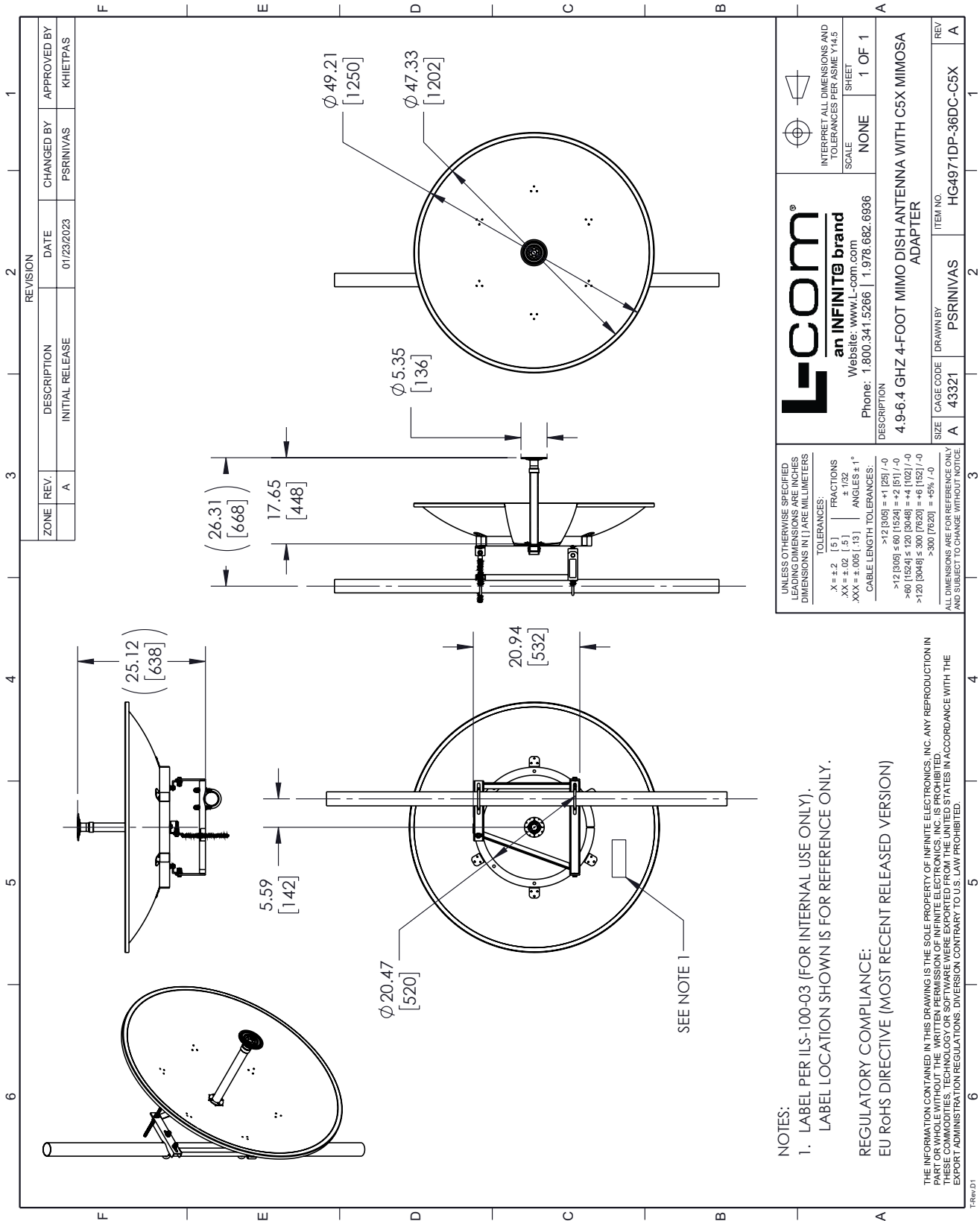
Notes:

4.9 - 6.4 GHz, MIMO, Directional Dish Antenna with C5x, C6x, B5x Mimosa Adapter, 4-foot from L-com has same day shipment for domestic and International orders. Our portfolio includes coaxial cable assemblies, connectors, adapters and custom products as well as lightning and surge protectors, NEMA rated enclosures, and an RF product line which includes antennas, amplifiers, passive, and active components.

The information contained within this document is accurate to the best of our knowledge and representative of the part described herein. It may be necessary to make modifications to the part and/or the documentation of the part in order to implement improvements. L-com reserves the right to make such changes as required. Unless otherwise stated, all specifications are nominal. L-com does not make any representation or warranty regarding the suitability of the part described herein for any particular purpose, and L-com does not assume liability arising out of the use of any part or document.

4.9 - 6.4 GHz, MIMO, Directional Dish Antenna with C5x, C6x, B5x Mimosa Adapter, 4-foot

L-com CAD Drawing



 <b>L-com</b> <sup>®</sup> an INFINITE brand Website: www.l-com.com Phone: 1.800.341.5266   1.978.682.6936		INTERPRET ALL DIMENSIONS AND TOLERANCES PER ASME Y14.5 SCALE: NONE SHEET: 1 OF 1
DESCRIPTION: 4.9-6.4 GHZ 4-FOOT MIMO DISH ANTENNA WITH C5X MIMOSA ADAPTER		
SIZE: A	CAGE CODE: 43321	DRAWN BY: PSRNIVAS
REV: A	ITEM NO: HG4971DP-36DC-C5X	REV: A