

## Non-Penetrating Peak Roof Mount 60-inch Mast and 34-inch Extra Pole, 2-pole Version, Galvanized Steel with Powder Coating

### HGX-PRM-2



#### Features

- Easy assembly instructions
- Contains peak roof mount and secondary arm
- 5 ft tall center mast
- Secondary arm of 2.75 ft
- Powder coated galvanized steel
- Operating windspeeds up to 50 KM/h (31 mph)
- Survival windspeeds up to 100 KM/h (62 mph)
- All assembly hardware included
- Rubber mat for max surface tension/protection
- Standard 16" x 8" cinder blocks (Not included)
- 150-degree max angle for roof pitch

#### Applications

- De-centralized wireless networks (FreedomFi, Helium, POLLEN, XNET, MetaBlox, etc.)
- Scientific and weather instrumentations
- Wireless or satellite antenna
- Security camera and instruments
- Solar panel

#### Description

The L-com's HGX-PRM-2 is a non-penetrating antenna peak roof mount which has strong and rugged design for antenna installations. The 2-pole version communication antenna mount has peak roof top mount with 60 inch center mast(HGX-PRM-1) and 34-inch extra arm(HGX-PRM-ARM). Our peak roof mount is designed for telecom installers, DIY installers, and satellite dish installers.

The HGX-PRM-2 communication antenna mount operates at windspeeds up to 50 Km/h or 31 MPH and survives at windspeeds up to 100 Km/h or 62 MPH. This non-anchoring roof mount has 60 inch pole and 34 inch pole to support more antennas. The 2-pole version peak roof mount is suitable for wireless internet providers, crypto enterprises, and commercial building owners.

This 2-pole version non-anchoring roof mount is made of galvanized steel and powder coated to withstand harsh weather and corrosion. This HGX-PRM-2 peak roof mount doesn't need screws or anchors, which minimizes damage to the roofs. The non-penetrating antenna mount is used for peak roofs and is available with easy assembly instructions.

The L-com has the largest in-stock selection of non-penetrating antenna peak roof mount with same-day shipping for domestic and international orders. Our portfolio includes coaxial cable assemblies, connectors, adapters, NEMA rated enclosures, and an RF product line which includes antennas, amplifiers, passive, and active components. For further information on similar products, our expert technical support and knowledgeable sales team can help you get the non-penetrating antenna peak roof mount as per your requirement.

Note: Ballast data should be determined by a local professional engineer. Adequate ballast material must be determined and provided by others.

Click the following link (or enter part number in "SEARCH" on website) to obtain additional part information including price, inventory and certifications:  
[Non-Penetrating Peak Roof Mount 60-inch Mast and 34-inch Extra Pole, 2-pole Version, Galvanized Steel with Powder Coating](#)

Non-Penetrating Peak Roof Mount 60-inch Mast and 34-inch Extra Pole, 2-pole Version, Galvanized Steel with Powder Coating

**HGX-PRM-2**



Note:

- **Ballast data should be determined by a local professional engineer. Adequate ballast material must be determined and provided by others**
- Prior to installation, verify that the installation, roof material and supporting structures have been investigated and found capable to withstand load
- Place ballast material (i.e., cinder blocks, concrete blocks, etc.) evenly on both side with at least 4 on each side, total 8 blocks per mount approx. 300lbs over all base angles (Estimated Operational Ballast)
- All antenna installations MUST be grounded
- **L-Com RECOMMENDS THAT BALLAST MATERIAL ALWAYS BE PLACED PRIOR TO MOUNTING ANTENNAS AND THAT THE MOUNT BE SECURED TO PREVENT HAZARDS FROM OCCURRING UNDER EXTREME WIND LOADING CONDITION**
- Inspect all bolts and screws for optimal tightness (recommended torque 13-14 lbs-ft.) to ensure there is no loose gaps after installation
- Recommended to use self -tapping screws provided with mount to reduce the loading of the roof if working environment is allowed to drill
- Inspect the mount, antennas, and tightness of nuts at six-month maximum intervals

Operational	50 Km/h (31 mph)	Under recommended Load
Survival	100 Km/h (62 mph)	Under recommended Load

**CONTACT A LOCAL PROFESSIONAL ENGINEER TO DETERMINE PROPER LOADING vs BALLAST WEIGHTS**

Operational: It is workable under 50km/h wind speeds.

Survival: The products may be deformed but will not fly away.

**Mechanical Specifications**  
Size

Non-Penetrating Peak Roof Mount 60-inch Mast and 34-inch Extra Pole, 2-pole Version, Galvanized Steel with Powder Coating

**HGX-PRM-2**



Length	35.57 in [903.48 mm]
Width	33 in [838.2 mm]
Height	59.06 in [150.01 cm]
Weight	57.3 lbs [25.99 kg]

**Environmental Specifications**

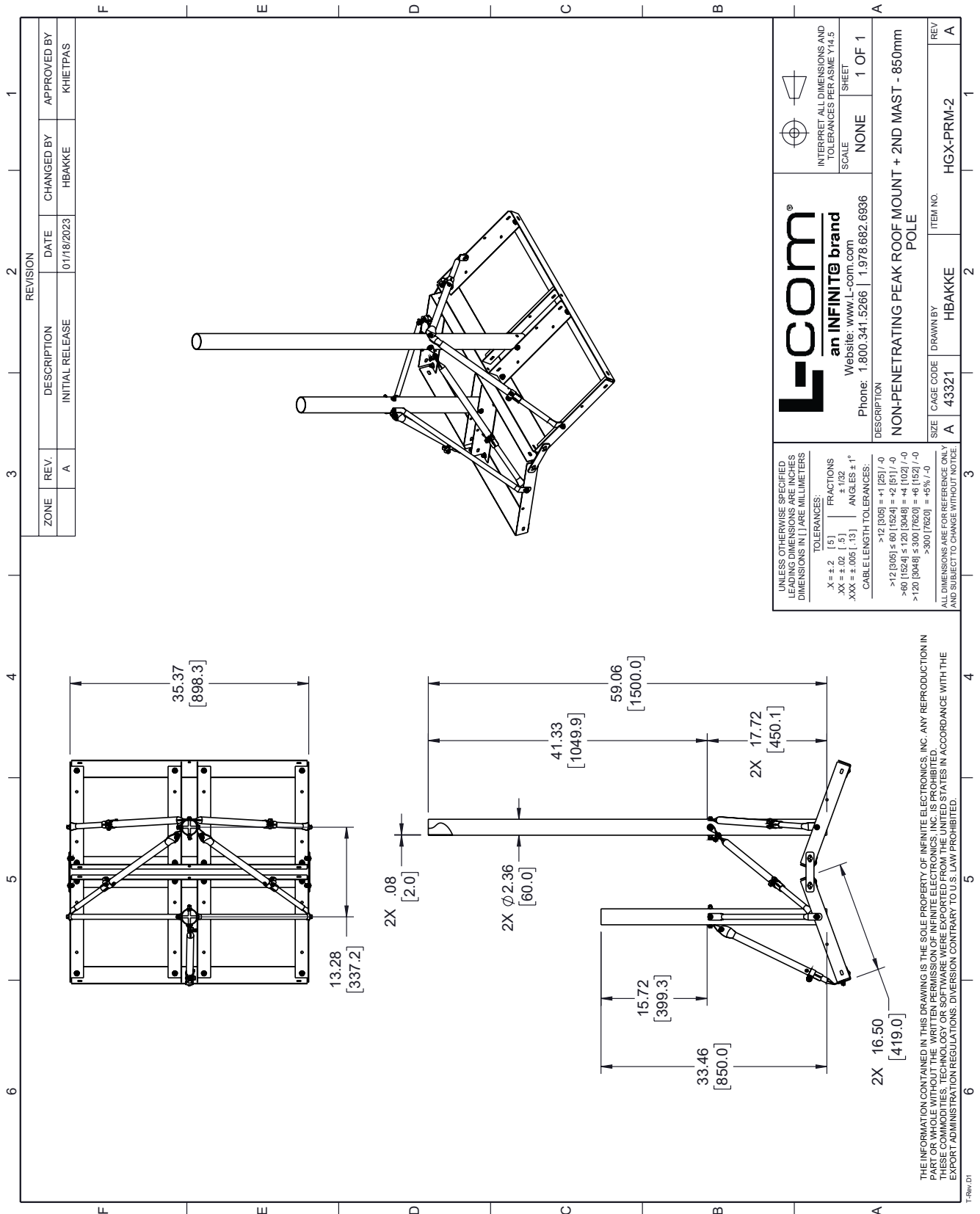
Operating Temperature, Min	-40 deg C
Operating Temperature, Max	80 deg C
Wind Velocity	31 MPH [49.89KPH]
Plating	Powder Coat
Material	Galvanized Steel
Package Quantity	1

Non-Penetrating Peak Roof Mount 60-inch Mast and 34-inch Extra Pole, 2-pole Version, Galvanized Steel with Powder Coating from L-com has same day shipment for domestic and International orders. Our portfolio includes coaxial cable assemblies, connectors, adapters and custom products as well as lightning and surge protectors, NEMA rated enclosures, and an RF product line which includes antennas, amplifiers, passive, and active components.

The information contained within this document is accurate to the best of our knowledge and representative of the part described herein. It may be necessary to make modifications to the part and/or the documentation of the part in order to impliment improvements. L-com reserves the right to make such changes as required. Unless otherwise stated, all specifications are nominal. L-com does not make any representation or warranty regarding the suitability of the part described herein for any particular purpose, and L-com does not assume liability arising out of the use of any part or document.

# Non-Penetrating Peak Roof Mount 60-inch Mast and 34-inch Extra Pole, 2-pole Version, Galvanized Steel with Powder Coating

## L-com CAD Drawing



REVISION			
ZONE	REV.	DESCRIPTION	DATE
	A	INITIAL RELEASE	01/18/2023
		CHANGED BY	HBAKKE
		APPROVED BY	KHIETPAS

**L-com**  
an INFINITE brand  
Website: [www.L-com.com](http://www.L-com.com)  
Phone: 1.800.341.5266 | 1.978.682.6936

INTERPRET ALL DIMENSIONS AND TOLERANCES PER ASME Y14.5  
SCALE NONE  
SHEET 1 OF 1

UNLESS OTHERWISE SPECIFIED, LEADING DIMENSIONS ARE INCHES DIMENSIONS IN [ ] ARE MILLIMETERS  
TOLERANCES:  
X = ±.2 [5] FRACTIONS  
XX = ±.02 [5] ±.132  
XXX = ±.005 [13] ANGLES ±1°  
CABLE LENGTH TOLERANCES:  
>12 [305] = ±1 [25] / -0  
>60 [1524] = ±6 [152] / -0  
>120 [3048] = ±12 [304] / -0  
>300 [7620] = ±5% / -0

DESCRIPTION  
NON-PENETRATING PEAK ROOF MOUNT + 2ND MAST - 850mm POLE

SIZE A CAGE CODE A 43321 DRAWN BY HBAKKE ITEM NO. HGX-PRM-2

REV A

THE INFORMATION CONTAINED IN THIS DRAWING IS THE SOLE PROPERTY OF INFINITE ELECTRONICS, INC. ANY REPRODUCTION IN PART OR WHOLE WITHOUT THE WRITTEN PERMISSION OF INFINITE ELECTRONICS, INC. IS PROHIBITED. THESE COMMODITIES, TECHNOLOGY OR SOFTWARE WERE EXPORTED FROM THE UNITED STATES IN ACCORDANCE WITH THE EXPORT ADMINISTRATION REGULATIONS. DIVERSION CONTRARY TO U.S. LAW PROHIBITED.

T-Rev: 01