

## Aluminum Terminal Box, 15 point, Side mounting



### LC-AL-15PT

#### Features

- The Aluminum Terminal Box is a product designed to enable separation of the box and terminal
- This is an ideal box for use in the body of sensitive electrical assemblies or electrical devices under commercial or industrial environmental conditions
- Aluminum enclosures also offer a degree of inherent EMI/RFI attenuation
- Input Current 17.5 Amps
- Ingress Protection IP67, strength grade IK 10, Flammability rating V-0

#### Applications

- Indoor and Outdoor installations
- Commercial or industrial environmental conditions
- Aluminum enclosure with matching cover is an easily field modified enclosure, that can be drilled/tapped/cut
- Industrial, municipal, medical, and campus low-voltage installations

#### Description

L-com's LC-AL-15PT is a terminal box enclosure designed for indoor or outdoor use for electrical assemblies and electrical devices under commercial or industrial environmental conditions. This enclosure is made from aluminum material with a matching cover and it can be easily drilled, tapped or cut. The terminal box enclosure offers a degree of inherent EMI and RFI attenuation. Our aluminum enclosure is in stock and available for same business day shipping.

Our LC-AL-15PT enclosure provides outstanding insulation and protection where equipment may be rinsed or be very wet. This aluminum box enclosure is available in 160mm width, 100mm height and 80mm depth. L-com's terminal box enclosure is impact and corrosion resistant and is perfect for harsh environments. This 15 point side mounting enclosure is suitable for industrial, municipal, medical, campus applications.

L-com has one of the largest in-stock selections of aluminum enclosures for local, domestic and international orders. We serve the petrochemical, metallurgy, mining, wastewater treatment, automotive, oil and gas industries. For further information on similar products, our expert technical support and knowledgeable sales team can help you get the perfect side mounting terminal box enclosures as per your requirements.

#### Mechanical Specifications

##### Size

Outer Height	3.94 in	[100.08 mm]
Outer Width	6.3 in	[160.02 mm]
Outer Depth	3.15 in	[80.01 mm]
Enclosure Material	Aluminum	

#### Environmental Specifications

#### Compliance Certifications

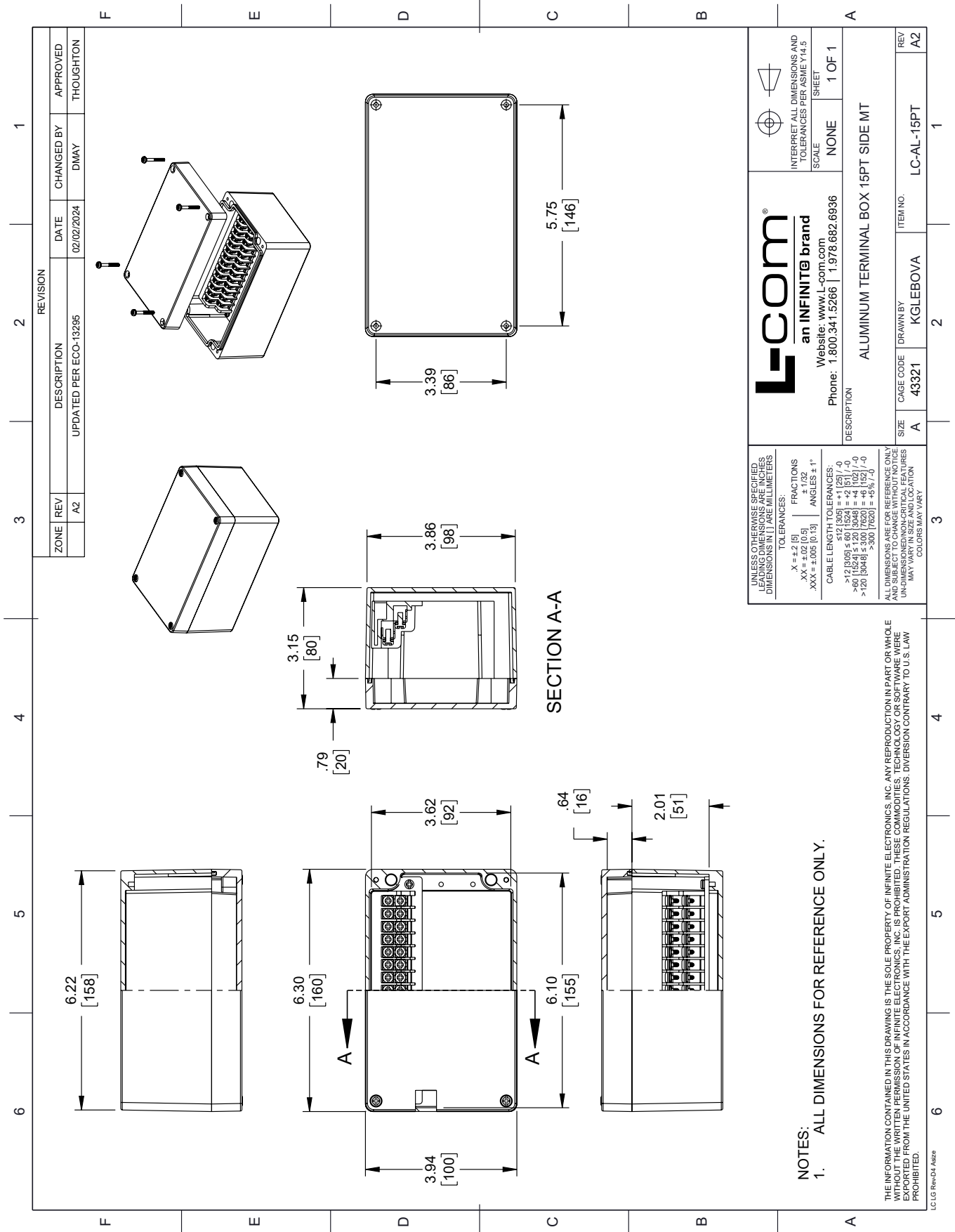
Aluminum Terminal Box, 15 point, Side mounting from L-com has same day shipment for domestic and International orders. Our portfolio includes coaxial cable assemblies, connectors, adapters and custom products as well as lightning and surge protectors, NEMA rated enclosures, and an RF product line which includes antennas, amplifiers, passive, and active components.

URL: <https://www.l-com.com/aluminum-terminal-box-15-point-side-mounting-lc-al-15pt-p.aspx>

The information contained within this document is accurate to the best of our knowledge and representative of the part described herein. It may be necessary to make modifications to the part and/or the documentation of the part in order to implement improvements. L-com reserves the right to make such changes as required. Unless otherwise stated, all specifications are nominal. L-com does not make any representation or warranty regarding the suitability of the part described herein for any particular purpose, and L-com does not assume liability arising out of the use of any part or document.

# LC-AL-15PT CAD Drawing

## Aluminum Terminal Box, 15 point, Side mounting



NOTES:  
1. ALL DIMENSIONS FOR REFERENCE ONLY.

THE INFORMATION CONTAINED IN THIS DRAWING IS THE SOLE PROPERTY OF INFINITE ELECTRONICS, INC. ANY REPRODUCTION IN PART OR WHOLE WITHOUT THE WRITTEN PERMISSION OF INFINITE ELECTRONICS, INC. IS PROHIBITED. THESE COMMODITIES, TECHNOLOGY OR SOFTWARE WERE EXPORTED FROM THE UNITED STATES IN ACCORDANCE WITH THE EXPORT ADMINISTRATION REGULATIONS. DIVERSION CONTRARY TO U.S. LAW IS PROHIBITED.

LC-LG-REV-04-Azize