

2400-2500, 5150-7125 MHz WF-Fi 6E Omni MIMO Antenna, 4 dBi Gain, 4 N Type Female Connectors



## LCANOM1061

### Features

- N Type Female Connector
- 4 x Vertical Polarization
- 4x4 MIMO Functionality
- Outdoor Rated Omnidirectional Antenna
- 2.4 GHz, 5 GHz, 6 GHz Wi-Fi Bands
- 6 dBi gain

### Applications

- Infotainment systems, Routers, Wi-Fi hotspots, HD video transmission, Gateways, Dash cameras, Public transportation
- Connected cars or self-driving cars, Fleet management, Logistics
- Public Safety Networks
- Zigbee, Bluetooth, Wi-Fi

### Description

The LCANOM1061 Wi-Fi 6e Omni Antenna from L-com is a high performance omnidirectional antenna designed for the 2400 MHz to 7125 MHz bands and is available to ship same day. It is a UV protected, outdoor rated antenna with omni-directional pattern. The LCANOM1061 is ideally suited for 802.11 protocols including 802.11ax as well as Zigbee, Bluetooth and is 4x4 MIMO capable.

The L-com high performance omni LCANOM1061 is a rugged antenna providing broad coverage, low latency, increased network capacity and 6 dBi gain. This 4 port N Female omnidirectional antenna is suitable for commercial radios and access points in public and private networks that are equipped with N Type connectors.

This Wi-Fi 6e LCANOM1061 omni antenna with 4 N Female connectors, as well as our wide selection of superior quality RF parts, ships same day. Contact our knowledgeable and friendly technical support and sales staff for your answers on antennas or other L-com products.

### Configuration

Design	Omni
Application Band	Wi-Fi 6E
Band Type	Dual
Radiation Pattern	Omni Directional
Polarization	Vertical
Cable Type	RG58/U
Cable Length	36 in [914.4 mm]
Connector Type	N Female
Number of Ports	4

### Electrical Specifications

Description	Minimum	Typical	Maximum	Units
Frequency Range	2,400		7,125	MHz
Input VSWR			2:1	
Impedance		50		Ohms
Input Power			50	Watts

Click the following link (or enter part number in "SEARCH" on website) to obtain additional part information including price, inventory and certifications:  
[2400-2500, 5150-7125 MHz WF-Fi 6E Omni MIMO Antenna, 4 dBi Gain, 4 N Type Female Connectors LCANOM1061](#)

2400-2500, 5150-7125 MHz WF-Fi 6E Omni MIMO Antenna, 4 dBi Gain, 4 N Type Female Connectors



## LCANOM1061

### Specifications by Band

Description	Band 1	Band 2	Band 3	Band 4	Band 5	Units
Range	2.4 to 2.5	5.15 to 7.125				GHz
Gain	4	6				dBi
Horizontal HPBW	360	360				Degrees
Vertical HPBW	55	35				Degrees

### Mechanical Specifications

Radome Material	UV Resistant ABS
<b>Size</b>	
Length	3 in [76.2 mm]
Width	5.7 in [144.78 mm]
Height	5.7 in [144.78 mm]
Weight	2 lbs [907.18 g]
Color	White

### Environmental Specifications

<b>Temperature</b>	
Operating Range	-40 to +70 deg C
Humidity	5 to 95

**Compliance Certifications** (see [product page](#) for current document)

### Plotted and Other Data

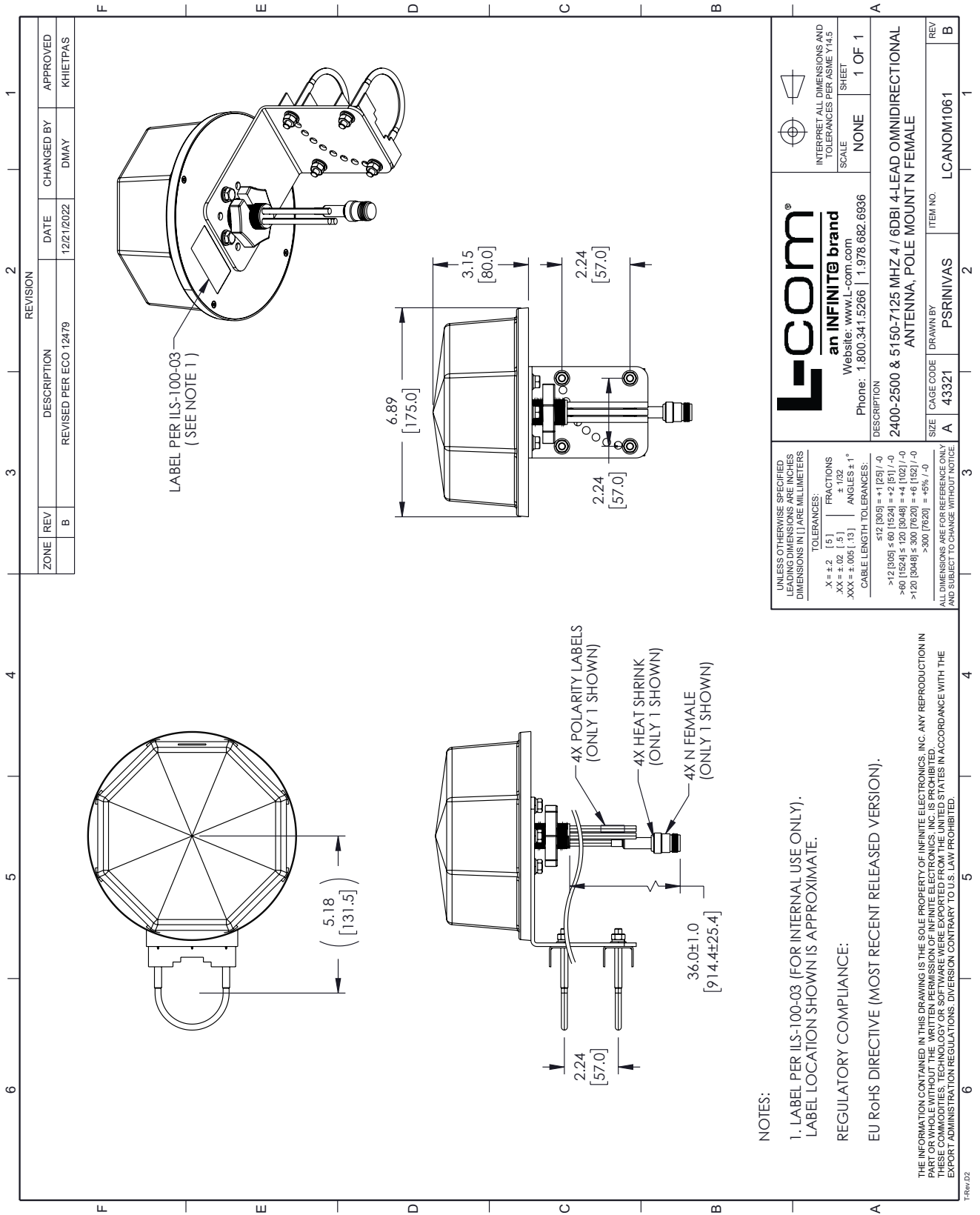
Notes:

2400-2500, 5150-7125 MHz WF-Fi 6E Omni MIMO Antenna, 4 dBi Gain, 4 N Type Female Connectors from L-com has same day shipment for domestic and International orders. Our portfolio includes coaxial cable assemblies, connectors, adapters and custom products as well as lightning and surge protectors, NEMA rated enclosures, and an RF product line which includes antennas, amplifiers, passive, and active components.

The information contained within this document is accurate to the best of our knowledge and representative of the part described herein. It may be necessary to make modifications to the part and/or the documentation of the part in order to implement improvements. L-com reserves the right to make such changes as required. Unless otherwise stated, all specifications are nominal. L-com does not make any representation or warranty regarding the suitability of the part described herein for any particular purpose, and L-com does not assume liability arising out of the use of any part or document.

2400-2500, 5150-7125 MHz WF-Fi 6E Omni MIMO Antenna, 4 dBi Gain, 4 N Type Female Connectors

L-com CAD Drawing



NOTES:

1. LABEL PER ILS-100-03 (FOR INTERNAL USE ONLY). LABEL LOCATION SHOWN IS APPROXIMATE.

REGULATORY COMPLIANCE:

EU ROHS DIRECTIVE (MOST RECENT RELEASED VERSION).

THE INFORMATION CONTAINED IN THIS DRAWING IS THE SOLE PROPERTY OF INFINITE ELECTRONICS, INC. ANY REPRODUCTION IN PART OR WHOLE WITHOUT THE WRITTEN PERMISSION OF INFINITE ELECTRONICS, INC. IS PROHIBITED. EXPORT RESTRICTIONS, EXPORT ADMINISTRATION REGULATIONS, DIVERSION CONTRARY TO U.S. LAW PROHIBITED.