

2400-2500, 5150-7125 MHz WF-Fi 6E Omni MIMO Antenna, 6 dBi Gain, 8 RP SMA Male Connectors



## LCANOM1062

### Features

- Reverse Polarity SMA (RP-SMA) Male Connector
- 8 x Vertical Polarization
- 8x8 MIMO Functionality
- Outdoor Rated Omnidirectional Antenna
- 2.4 GHz, 5 GHz, 6 GHz Wi-Fi Bands
- 6 dBi gain

### Applications

- Infotainment systems, Routers, Wi-Fi hotspots, HD video transmission, Gateways, Dash cameras, Public transportation
- Connected cars or self-driving cars, Fleet management, Logistics
- Public Safety Networks
- Zigbee, Bluetooth, Wi-Fi

### Description

The LCANOM1062 Wi-Fi 6e Omni Antenna from L-com is a high performance omnidirectional antenna designed for the 2400 MHz to 7125 MHz bands and is available to ship same day. It is a UV protected, outdoor rated antenna with omni-directional pattern. The LCANOM1062 is ideally suited for 802.11 protocols including 802.11ax as well as Zigbee, Bluetooth and is 8x8 MIMO capable.

The L-com high performance omni LCANOM1062 is a rugged antenna providing broad coverage, low latency, increased network capacity and 6 dBi gain. This 8 port RPSMA Male omnidirectional antenna is suitable for commercial radios and access points in public and private networks that are equipped with Reverse Polarity SMA Type connectors.

This Wi-Fi 6e LCANOM1062 omni antenna with 8 RPSMA Male connectors, as well as our wide selection of superior quality RF parts, ships same day. Contact our knowledgeable and friendly technical support and sales staff for your answers on antennas or other L-com products.

### Configuration

Design	Omni
Application Band	Wi-Fi 6E
Band Type	Dual
Radiation Pattern	Omni Directional
Polarization	Vertical
Cable Type	RG58/U
Cable Length	36 in [914.4 mm]
Connector Type	SMA Male Reverse Polarity
Number of Ports	8

### Electrical Specifications

Description	Minimum	Typical	Maximum	Units
Frequency Range	2,400		7,125	MHz
Input VSWR			2:1	
Impedance		50		Ohms
Input Power			50	Watts

Click the following link (or enter part number in "SEARCH" on website) to obtain additional part information including price, inventory and certifications:  
[2400-2500, 5150-7125 MHz WF-Fi 6E Omni MIMO Antenna, 6 dBi Gain, 8 RP SMA Male Connectors LCANOM1062](#)

2400-2500, 5150-7125 MHz WF-Fi 6E Omni MIMO  
Antenna, 6 dBi Gain, 8 RP SMA Male Connectors



## LCANOM1062

### Specifications by Band

Description	Band 1	Band 2	Band 3	Band 4	Band 5	Units
Range	2.4 to 2.5	5.15 to 7.125				GHz
Gain	6	6				dBi
Horizontal HPBW	360	360				Degrees
Vertical HPBW	45	30				Degrees

### Mechanical Specifications

Radome Material	UV Resistant ABS
<b>Size</b>	
Length	6.7 in [170.18 mm]
Width	5.8 in [147.32 mm]
Height	5.8 in [147.32 mm]
Weight	3.5 lbs [1.59 kg]
Color	White

### Environmental Specifications

<b>Temperature</b>	
Operating Range	-40 to +70 deg C
Wind Survivability	124 MPH [199.56 KPH]
Humidity	5 to 95
Ingress Protection	IP54

**Compliance Certifications** (see [product page](#) for current document)

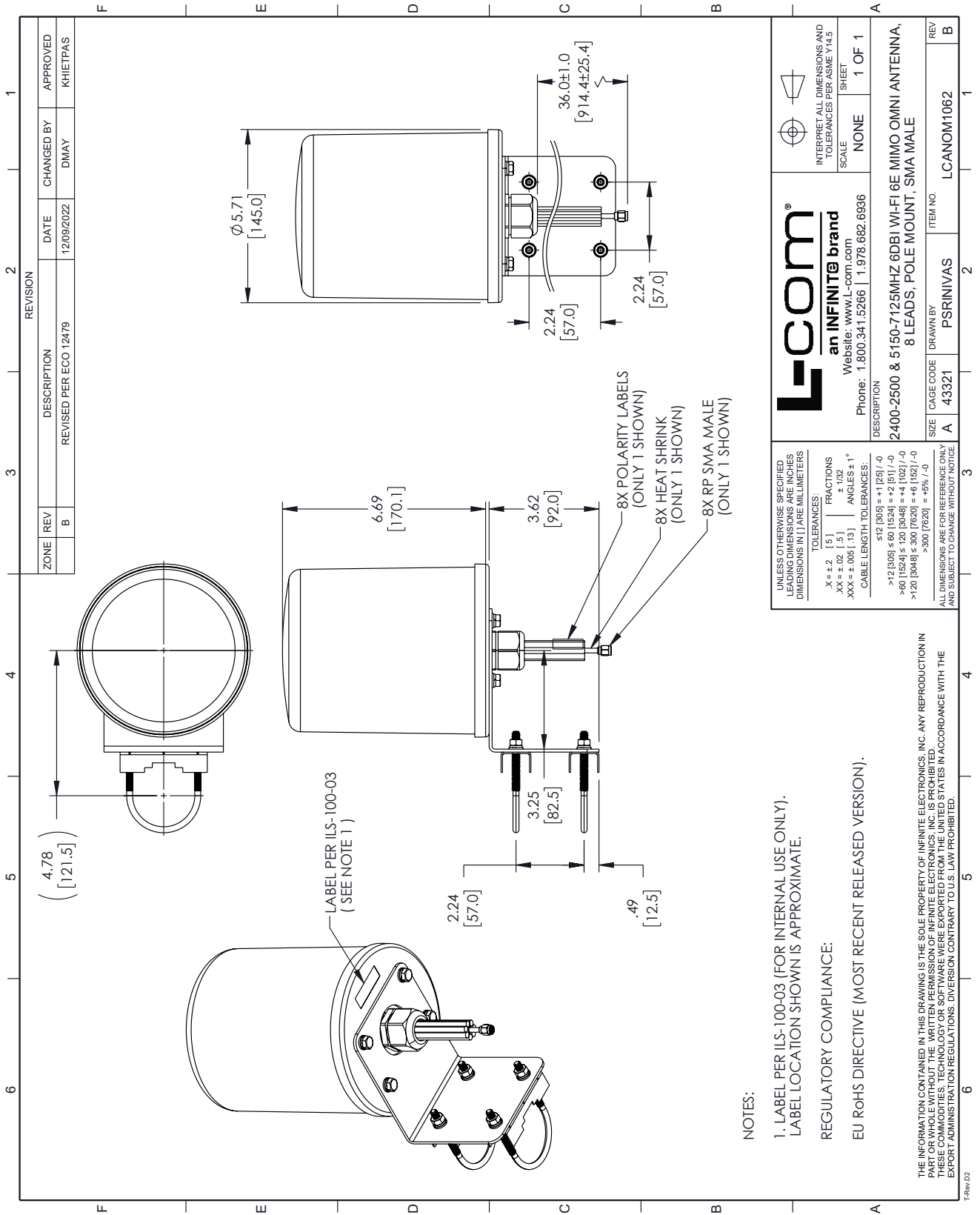
### Plotted and Other Data

Notes:

2400-2500, 5150-7125 MHz WF-Fi 6E Omni MIMO Antenna, 6 dBi Gain, 8 RP SMA Male Connectors from L-com has same day shipment for domestic and International orders. Our portfolio includes coaxial cable assemblies, connectors, adapters and custom products as well as lightning and surge protectors, NEMA rated enclosures, and an RF product line which includes antennas, amplifiers, passive, and active components.

The information contained within this document is accurate to the best of our knowledge and representative of the part described herein. It may be necessary to make modifications to the part and/or the documentation of the part in order to implement improvements. L-com reserves the right to make such changes as required. Unless otherwise stated, all specifications are nominal. L-com does not make any representation or warranty regarding the suitability of the part described herein for any particular purpose, and L-com does not assume liability arising out of the use of any part or document.

L-com CAD Drawing



NOTES:

1. LABEL PER ILS-100-03 (FOR INTERNAL USE ONLY). LABEL LOCATION SHOWN IS APPROXIMATE.

REGULATORY COMPLIANCE:

EU ROHS DIRECTIVE (MOST RECENT RELEASED VERSION).

THE INFORMATION CONTAINED IN THIS DRAWING IS THE SOLE PROPERTY OF INFINITE ELECTRONICS, INC. ANY REPRODUCTION IN PART OR WHOLE WITHOUT THE WRITTEN PERMISSION OF INFINITE ELECTRONICS, INC. IS PROHIBITED. EXPORT ADMINISTRATION REGULATIONS CONTRARY TO U.S. LAW PROHIBITED.

ZONE	REV	DESCRIPTION	DATE	CHANGED BY	APPROVED
B	B	REVISED PER ECO-12479	12/09/2022	DMAY	KHIETPAS

REVISION	DESCRIPTION	DATE	CHANGED BY	APPROVED
1	REVISED PER ECO-12479	12/09/2022	DMAY	KHIETPAS

**L-com**  
an INFINITE brand  
Website: www.l-com.com  
Phone: 1.800.341.5266 | 1.978.682.6936

INTERPRET ALL DIMENSIONS AND TOLERANCES PER ASME Y14.5  
SCALE: NONE  
SHEET: 1 OF 1

DESCRIPTION	ITEM NO.	REV
2400-2500 & 5150-7125MHZ 6DBI WI-FI 6E MIMO OMNI ANTENNA, 8 LEADS, POLE MOUNT, SMA MALE	LCANOM1062	1

UNLESS OTHERWISE SPECIFIED LEADING DIMENSIONS ARE IN INCHES DIMENSIONS IN [ ] ARE MILLIMETERS

TOLERANCES:  
 .X = ±.2 [5]  
 .XX = ±.02 [.5]  
 .XXX = ±.005 [0.13]  
 FRACTIONS ± 1/32  
 ANGLES ± 1°  
 CABLE LENGTH TOLERANCES:  
 ≤12 [305] = +1 [25] / -0  
 >12 [305] ≤ 60 [1524] = +2 [51] / -0  
 >60 [1524] ≤ 120 [3048] = +4 [102] / -0  
 >120 [3048] ≤ 300 [7620] = +6 [152] / -0  
 >300 [7620] = +5% / -0

ALL DIMENSIONS ARE FOR REFERENCE ONLY AND SUBJECT TO CHANGE WITHOUT NOTICE