

5-in-1 Cellular, GPS Combination IoT Antenna  
FAKRA Jack ABS Radome Black IP69K



**LCANOM1092**

**Features**

- 4 x Cellular 4G/5G
- 1 x GPS L1 / G1
- MIMO Capable
- Color coded FAKRA Jack
- 17 ft Cable Leads
- Indoor/Outdoor IP69K Rated
- UV Stabilized Black ABS

**Applications**

- Public Safety
- Emergency Services
- Mobile Base Stations
- Autonomous Vehicles
- Fleet Management
- Smart Cities
- Smart Utilities
- Industrial IoT

**Description**

The L-Com LCANOM1092 is a 5-in-1 combination antenna designed for public safety, emergency services, mobile base stations, autonomous vehicles, fleet management, smart cities, smart utilities, or industrial IoT applications. This vertically polarized omnidirectional antenna has color-coded FAKRA female connectors with 17 feet cable leads. Our high-quality mobile antenna with 5 ports has a typical input VSWR of 2:1.

The IoT combination antenna from L-Com has an overall length of 7 inches, width of 7 inches, and weight of 4 lbs. This LCANOM1092 mobile antenna is IP69K-rated and has a black-colored radome made of UV-stabilized ABS. The 4 cellular, 1 GPS combination antenna has an impedance of 50 Ohms and a maximum input power of 10 Watts.

Our vertically polarized mobile antenna can operate at temperatures ranging from -40 to 70 degrees C. This MIMO-capable IoT antenna features four 4G/5G, and one L1/G1 GPS band elements in one radome. Emergency services, first responders, and fleets can rely on our 5-in-1 combination antenna to maintain a secure link between vehicles and dispatch centers.

**Configuration**

Design	Mobile
Radiation Pattern	Omni Directional
Polarization	Vertical
Connector Type	FAKRA Female
Number of Ports	5

**Electrical Specifications**

Description	Minimum	Typical	Maximum	Units
Input VSWR		2:1		
Impedance		50		Ohms
Input Power			10	Watts

Click the following link (or enter part number in "SEARCH" on website) to obtain additional part information including price, inventory and certifications:  
[5-in-1 Cellular, GPS Combination IoT Antenna FAKRA Jack ABS Radome Black IP69K LCANOM1092](#)

5-in-1 Cellular, GPS Combination IoT Antenna  
FAKRA Jack ABS Radome Black IP69K



**LCANOM1092**

Cellular Specifications					
Frequency Range	617 - 960	1690 - 2700	3300 - 4200	4900 - 6000	MHz
Peak Gain	4	6	7	8	dBi
Port Count	4				
Cable Type	RG58				
Cable Length	17 [5]				
Connector Type	FAKRA Jack				
Connector Color	Bordeaux				
Connector Code	D				
GPS Specifications					
Frequency Range	1562 - 1612				MHz
VSWR	<2.0:1 ± 4 MHz				
LNA Gain	26				
Out of band rejection	>40 dB (@ > +/- 100 MHz)				
Typical Noise Figure	≤ 2.7				
Notch Filter rejection @787MHz	24				
Operating Voltage	3 - 5				
Typical Current	15				
Cable Type / Length	RG174 / 17 ft [5 m]				
Connector Type	FAKRA Jack				
Connector Color / Code	Blue / C				

**Mechanical Specifications**

Radome Material	UV Stabilized ABS
<b>Size</b>	
Length	7 in [177.8 mm]
Width	7 in [177.8 mm]
Height	3.15 in [80.01 mm]
Weight	4 lbs [1.81 kg]

**Environmental Specifications**

<b>Temperature</b>	
Operating Range	-40 to +70 deg C
Ingress Protection	IP69K

5-in-1 Cellular, GPS Combination IoT Antenna  
FAKRA Jack ABS Radome Black IP69K

## LCANOM1092



**Compliance Certifications** (see [product page](#) for current document)

### Plotted and Other Data

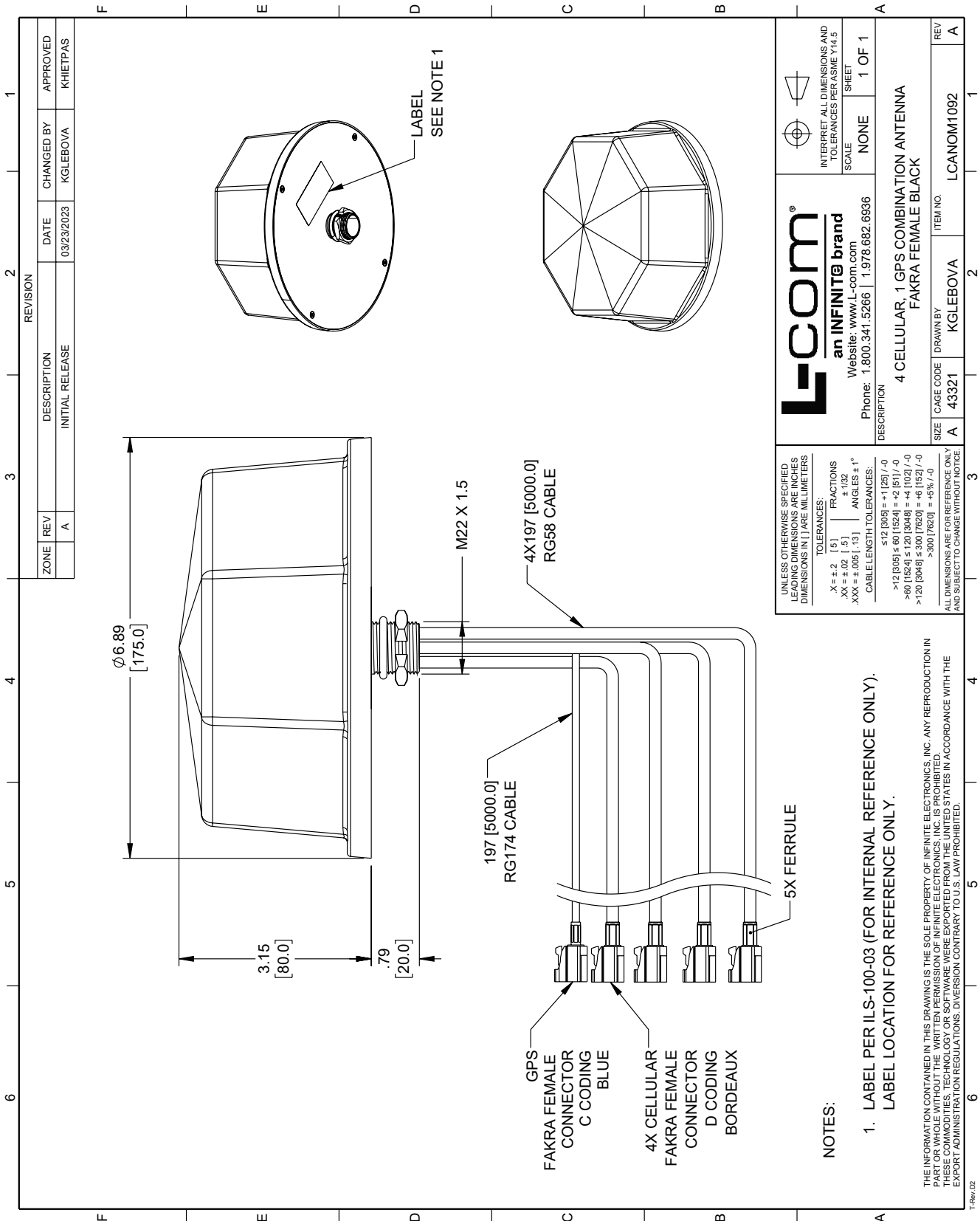
Notes:

5-in-1 Cellular, GPS Combination IoT Antenna FAKRA Jack ABS Radome Black IP69K from L-com has same day shipment for domestic and International orders. Our portfolio includes coaxial cable assemblies, connectors, adapters and custom products as well as lightning and surge protectors, NEMA rated enclosures, and an RF product line which includes antennas, amplifiers, passive, and active components.

The information contained within this document is accurate to the best of our knowledge and representative of the part described herein. It may be necessary to make modifications to the part and/or the documentation of the part in order to impliment improvements. L-com reserves the right to make such changes as required. Unless otherwise stated, all specifications are nominal. L-com does not make any representation or warranty regarding the suitability of the part described herein for any particular purpose, and L-com does not assume liability arising out of the use of any part or document.

# 5-in-1 Cellular, GPS Combination IoT Antenna FAKRA Jack ABS Radome Black IP69K

L-com CAD Drawing



ZONE		REV		DESCRIPTION		DATE		CHANGED BY		APPROVED	
A		A		INITIAL RELEASE		03/23/2023		KGLEBOVA		KHIETPAS	

**L-com**  
an INFINITE brand  
Website: www.L-com.com  
Phone: 1.800.341.5266 | 1.978.682.6936

INTERPRET ALL DIMENSIONS AND TOLERANCES PER ASME Y14.5  
SCALE NONE SHEET 1 OF 1

DESCRIPTION: 4 CELLULAR, 1 GPS COMBINATION ANTENNA FAKRA FEMALE BLACK

SIZE	CAGE CODE	DRAWN BY	ITEM NO.
A	43321	KGLEBOVA	LCANOM1092

REV A

UNLESS OTHERWISE SPECIFIED, LEADING DIMENSIONS ARE INCHES AND DIMENSIONS IN [ ] ARE MILLIMETERS.

TOLERANCES:  
X = +.2 [5] FRACTIONS  
XX = +.02 [5] ANGLES ± 1°  
XXX = ±.005 [13] ANGLES ± 1°

CABLE LENGTH TOLERANCES:  
≤ 12 [305] = ± 1/28 / -0  
> 12 [305] ≤ 60 [1524] = ± 2/51 / -0  
> 60 [1524] ≤ 120 [3048] = ± 4/102 / -0  
> 120 [3048] ≤ 300 [7620] = ± 6/152 / -0  
> 300 [7620] = ± 5% / -0

ALL DIMENSIONS ARE FOR REFERENCE ONLY AND SUBJECT TO CHANGE WITHOUT NOTICE.

THE INFORMATION CONTAINED IN THIS DRAWING IS THE SOLE PROPERTY OF INFINITE ELECTRONICS, INC. ANY REPRODUCTION IN PART OR WHOLE WITHOUT THE WRITTEN PERMISSION OF INFINITE ELECTRONICS, INC. IS PROHIBITED. THESE COMMODITIES, TECHNOLOGY OR SOFTWARE WERE EXPORTED FROM THE UNITED STATES IN ACCORDANCE WITH THE EXPORT ADMINISTRATION REGULATIONS. DIVERSION CONTRARY TO U.S. LAW PROHIBITED.

NOTES:  
1. LABEL PER ILS-100-03 (FOR INTERNAL REFERENCE ONLY).  
LABEL LOCATION FOR REFERENCE ONLY.

T-Rev: 02