

4 Cellular, 5 Wi-Fi, 1 GPS Combination Antenna
4 SMA, 5 RP SMA, 1 SMA Connector White



LCANOM1109

Features

- 5 x Cellular 4G/5G SMA Male
- 5 x Wi-Fi 2.4 GHz / 5 GHz RPSMA Male
- 1 x GPS L1 / G1 SMA Male
- MIMO Capable
- 17 ft Cable Leads
- Indoor/Outdoor IP69K Rated
- UV Stabilized White ABS

Applications

- Public Safety
- Emergency Services
- Mobile Base Stations
- Autonomous Vehicles
- Fleet Management
- Smart Cities
- Smart Utilities
- Industrial IoT

Description

The L-com LCANOM1109 is a 10-in-1 combination antenna designed for public safety, emergency services, mobile base stations, autonomous vehicles, fleet management, smart cities, smart utilities, or industrial IoT applications. This vertically polarized omnidirectional antenna has SMA male and RPSMA male connectors with 17 feet cable leads. Our high-quality mobile antenna with 10 ports has a typical input VSWR of 2:1.

The IoT combination antenna from L-com has an overall length of 7 inches, width of 7 inches, and weight of 4 lbs. This LCANOM1109 mobile antenna is IP69K-rated and has a black-colored radome made of UV-stabilized ABS. The 4 cellular, 5 Wi-Fi, 1 GPS combination antenna has an impedance of 50 Ohms and a maximum input power of 10 Watts.

Our vertically polarized mobile antenna can operate at temperatures ranging from -40 to 70 degrees C. This MIMO-capable IoT antenna features four 4G/5G, five 2.4/5 GHz, and one L1/G1 GPS band elements in one radome. Emergency services, first responders, and fleets can rely on our 10-in-1 combination antenna to maintain a secure link between vehicles and dispatch centers.

Configuration

| | |
|-------------------|---------------------------|
| Design | Mobile |
| Radiation Pattern | Omni Directional |
| Polarization | Vertical |
| Connector Type | SMA Male |
| Interface 2 | SMA Male Reverse Polarity |
| Number of Ports | 10 |

Electrical Specifications

| Description | Minimum | Typical | Maximum | Units |
|-------------|---------|---------|---------|-------|
| Input VSWR | | 2:1 | | |
| Impedance | | 50 | | Ohms |
| Gain | | 26 | | dBi |
| Input Power | | | 10 | Watts |

4 Cellular, 5 Wi-Fi, 1 GPS Combination Antenna
4 SMA, 5 RP SMA, 1 SMA Connector White



LCANOM1109

| Cellular Specifications | | | | | |
|-------------------------|---------------|-------------|-------------|-------------|-----|
| Frequency Range | 617 - 960 | 1690 - 2700 | 3300 - 4200 | 4900 - 6000 | MHz |
| Peak Gain | 4 | 6 | 7 | 8 | dBi |
| Port Count | 4 | | | | |
| Cable Type | RG58 | | | | |
| Cable Length | 17 [5] ft [m] | | | | |
| Connector Type | SMA Male | | | | |
| Wi-Fi Specifications | | | | | |
| Frequency Range | 2400 - 2500 | | 4900 - 6000 | | MHz |
| Peak Gain | 5 | | 6 | | dBi |
| Port Count | 5 | | | | |
| Cable Type | RG58 | | | | |
| Cable Length | 17 [5] ft [m] | | | | |
| Connector Type | RPSMA Male | | | | |

Mechanical Specifications

| | |
|-----------------|--------------------|
| Radome Material | UV Stabilized ABS |
| Size | |
| Length | 7 in [177.8 mm] |
| Width | 7 in [177.8 mm] |
| Height | 3.15 in [80.01 mm] |
| Weight | 4 lbs [1.81 kg] |

Environmental Specifications

| | |
|--------------------|------------------|
| Temperature | |
| Operating Range | -40 to +70 deg C |
| Ingress Protection | IP69K |

Compliance Certifications (see [product page](#) for current document)

Plotted and Other Data

Notes:

4 Cellular, 5 Wi-Fi, 1 GPS Combination Antenna
4 SMA, 5 RP SMA, 1 SMA Connector White



LCANOM1109

Typical Radiation Pattern

Appendix

Electrical Downtilt: Angle in the antenna's elevation pattern in which the maximum gain occurs.

Gain: Antenna's average gain.

Front to Back Ratio @ 180°±30°: Average difference between the antenna's maximum gain and the maximum gain in the antenna's back lobe over ±30° angles.

Cross-polarization Ratio (dB): Typical difference between the co-polarization and cross-polarization gain across the sector's 3 dB Beam Width.

Dedicated to serving the needs of the Wireless Internet Service Provider (WISP) market, KP Performance Antennas offers purpose built products that reliably perform in the field. KP Performance Antennas product line consists of Yagi, Grid, Omni, Dish and other style antennas that operate in the 900 MHz, 2.4 GHz, 3 GHz, and 5 GHz frequencies.

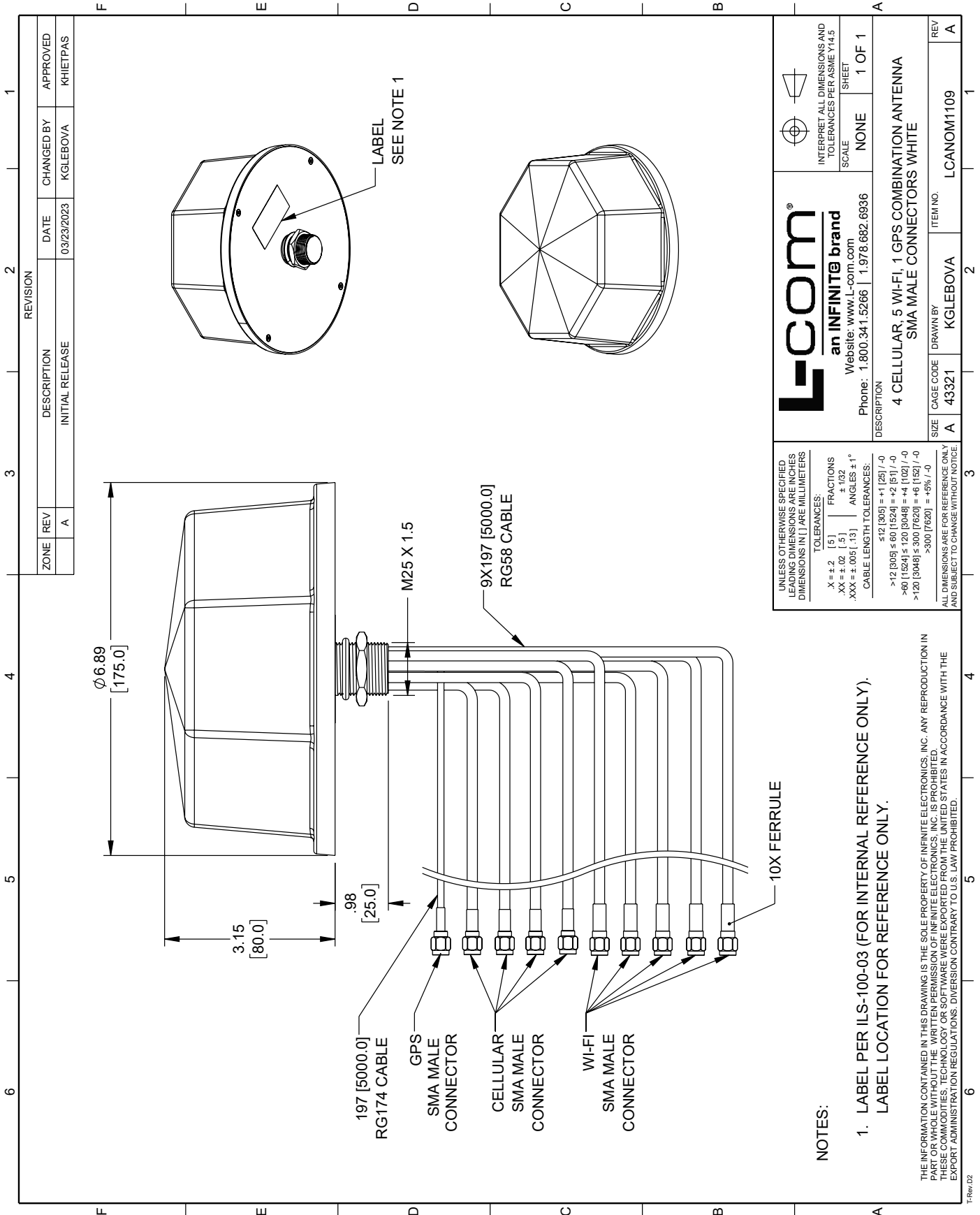
4 Cellular, 5 Wi-Fi, 1 GPS Combination Antenna 4 SMA, 5 RP SMA, 1 SMA Connector White from L-com has same day shipment for domestic and International orders. Our portfolio includes coaxial cable assemblies, connectors, adapters and custom products as well as lightning and surge protectors, NEMA rated enclosures, and an RF product line which includes antennas, amplifiers, passive, and active components.

URL: <https://www.l-com.com/iot-mobile-antenna-omnidirectional-sma-connectors-white-lcanom1109-p.aspx>

The information contained within this document is accurate to the best of our knowledge and representative of the part described herein. It may be necessary to make modifications to the part and/or the documentation of the part in order to implement improvements. L-com reserves the right to make such changes as required. Unless otherwise stated, all specifications are nominal. L-com does not make any representation or warranty regarding the suitability of the part described herein for any particular purpose, and L-com does not assume liability arising out of the use of any part or document.

LCANOM1109 CAD Drawing

4 Cellular, 5 Wi-Fi, 1 GPS Combination Antenna 4 SMA, 5 RP SMA, 1 SMA Connector White



L-com
an INFINITE brand
Website: www.L-com.com
Phone: 1.800.341.5266 | 1.978.682.6936

INTERPRET ALL DIMENSIONS AND TOLERANCES PER ASME Y14.5
SCALE NONE SHEET 1 OF 1

UNLESS OTHERWISE SPECIFIED, ALL DIMENSIONS ARE IN INCHES. DIMENSIONS IN [] ARE IN MILLIMETERS.
TOLERANCES:
X ± .2 (5) FRACTIONS ± .02 (.5) ANGLES ± 1°
.XX ± .005 (.13) CABLE LENGTH TOLERANCES:
<12 [305] = +.1 [25] / -0
>12 [305] = .60 [1524] = +.2 [51] / -0
>60 [1524] = 1.20 [3048] = +.4 [102] / -0
>120 [3048] = 3.00 [7620] = +.8 [152] / -0
>300 [7620] = +.8% / -0

DESCRIPTION: 4 CELLULAR, 5 WI-FI, 1 GPS COMBINATION ANTENNA SMA MALE CONNECTORS WHITE

SIZE A CAGE CODE A 43321 DRAWN BY KGLEBOVA ITEM NO. LCANOM1109 REV A

NOTES:
1. LABEL PER ILS-100-03 (FOR INTERNAL REFERENCE ONLY). LABEL LOCATION FOR REFERENCE ONLY.

THE INFORMATION CONTAINED IN THIS DRAWING IS THE SOLE PROPERTY OF INFINITE ELECTRONICS, INC. ANY REPRODUCTION IN PART OR WHOLE WITHOUT THE WRITTEN PERMISSION OF INFINITE ELECTRONICS, INC. IS PROHIBITED.
THESE COMMODITIES, TECHNOLOGY OR SOFTWARE WERE EXPORTED FROM THE UNITED STATES IN ACCORDANCE WITH THE EXPORT ADMINISTRATION REGULATIONS. DIVERSION CONTRARY TO U.S. LAW PROHIBITED.