

4ft Parabolic Radome for WiFi 6E / 7 Parabolic Dish Antennas



LCANRAD-4

Features

- Drain holes in the radome help prevent moisture build-up
- Easy to install - attaches directly to dish
- Light weight UV stable ABS construction
- Includes stainless steel hardware

Applications

- Provides protection against the following:
 - Ice and Snow
 - Rain
 - Wind
 - Blowing sand and Debris
 - Corrosion

Description

L-com LCANRAD-4 Radome Covers are an ideal way to protect your 4-foot parabolic dish antennas from the elements. These lightweight UV-stable ABS radomes feature drain holes to prevent moisture build-up. The LCANRAD-4 radome is designed to withstand harsh weather conditions, including high winds, rain, and snow. It also helps to reduce wind loading and provides a streamlined visual appearance for your parabolic dish. Easy to Assemble These radome kits bolt directly to the dish antennas with the provided stainless steel hardware. Drilling mounting holes in the antenna is not required. The radome cover can be attached to existing antennas already mounted in the field or pre-assemble to the antenna before mounting.

Configuration

Mechanical Specifications

Size

Length	49.57 in [125.91 cm]
Width	49.57 in [125.91 cm]
Height	14.65 in [372.11 mm]
Weight	8.38 lbs [3.8 kg]

Environmental Specifications

Temperature

Material	UV ABS
----------	--------

Typical Radiation Pattern

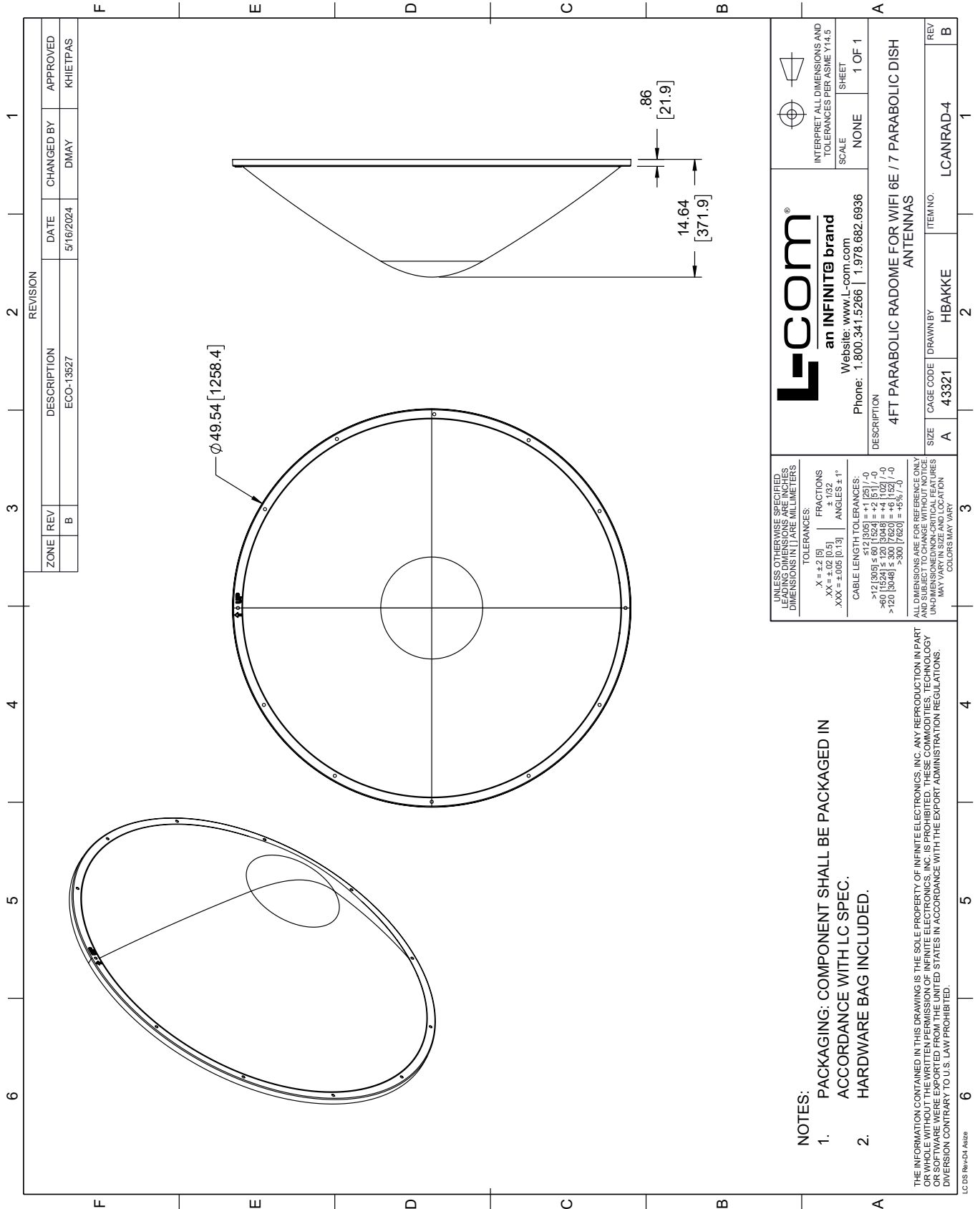
4ft Parabolic Radome for WiFi 6E / 7 Parabolic Dish Antennas from L-com has same day shipment for domestic and International orders. Our portfolio includes coaxial cable assemblies, connectors, adapters and custom products as well as lightning and surge protectors, NEMA rated enclosures, and an RF product line which includes antennas, amplifiers, passive, and active components.

URL: <https://www.l-com.com/4ft-parabolic-radome-wifi-6e-7-parabolic-dish-antennas-icanrad-4-p.aspx>

The information contained within this document is accurate to the best of our knowledge and representative of the part described herein. It may be necessary to make modifications to the part and/or the documentation of the part in order to implement improvements. L-com reserves the right to make such changes as required. Unless otherwise stated, all specifications are nominal. L-com does not make any representation or warranty regarding the suitability of the part described herein for any particular purpose, and L-com does not assume liability arising out of the use of any part or document.

CAD Drawing

4ft Parabolic Radome for WiFi 6E / 7 Parabolic Dish Antennas



REVISION		DATE	CHANGED BY	APPROVED	
ZONE	REV	DESCRIPTION	ECO-13527	DMAY	KHETTPAS
B					

L-com
an INFINITE brand
Website: www.L-com.com
Phone: 1.800.341.5266 | 1.978.682.6936

INTERPRET ALL DIMENSIONS AND TOLERANCES PER ASME Y14.5
SCALE: NONE
SHEET: 1 OF 1

UNLESS OTHERWISE SPECIFIED, LEADING DIMENSIONS ARE IN INCHES, DIMENSIONS IN [] ARE MILLIMETERS.

TOLERANCES:
 .X = ±.2 [5]
 .XX = ±.02 [0.5]
 .XXX = ±.005 [0.13]
 FRACTIONS: ± 1/32
 ANGLES: ± 1°

CABLE LENGTH TOLERANCES:
 <12 [305] ≤ 60 [1524] = ±1 [25] / -0
 >60 [1524] ≤ 120 [3048] = ±4 [102] / -0
 >120 [3048] ≤ 300 [7620] = ±5% / -0

ALL DIMENSIONS ARE FOR REFERENCE ONLY. UNLESS OTHERWISE SPECIFIED, DIMENSIONS ARE IN INCHES. DIMENSIONS IN [] ARE IN MILLIMETERS. UNLESS OTHERWISE SPECIFIED, LEADING DIMENSIONS ARE IN INCHES, DIMENSIONS IN [] ARE MILLIMETERS. COLORS MAY VARY.

DESCRIPTION: 4FT PARABOLIC RADOME FOR WIFI 6E / 7 PARABOLIC DISH ANTENNAS

SIZE	CAGE CODE	DRAWN BY	ITEM NO.
A	43321	HBAKKE	LCANRAD-4

- NOTES:**
1. PACKAGING: COMPONENT SHALL BE PACKAGED IN ACCORDANCE WITH LC SPEC.
 2. HARDWARE BAG INCLUDED.

THE INFORMATION CONTAINED IN THIS DRAWING IS THE SOLE PROPERTY OF INFINITE ELECTRONICS, INC. ANY REPRODUCTION IN PART OR WHOLE WITHOUT THE WRITTEN PERMISSION OF INFINITE ELECTRONICS, INC. IS PROHIBITED. THESE COMMODITIES, TECHNOLOGY OR SERVICES WERE EXPORTED FROM THE UNITED STATES IN ACCORDANCE WITH THE EXPORT ADMINISTRATION REGULATIONS. DIVISION CONTRARY TO U.S. LAWS PROHIBITED.

LC DS Rev-D4 Altize