

2.15 dBi, UHF Rubber Duck Antenna, 412-520 MHz, I-COM Connector, Vertical Polarization



LCANRBD1007

Features

- 412 MHz to 520 MHz, 2.15 dBi Gain
- I-COM connector
- Heliflex whip antenna
- Plug and play
- 20W power handling
- VSWR < 3:1
- Vertical polarization

Applications

- PtP or PtMP applications
- Trunking for two-way radio comms
- UHF applications
- Public Safety / Emergency services
- Tetra and P-25 applications exclusively supported
- Land and Private mobile radio (LMR) (PMR)
- Fixed and mobile services

Description

The LCANRBD1007 rubber duck antenna from L-Com is part of our extensive line of directional antennas that we offer with global same-day shipping from our facilities certified to ISO 9001:2015. L-Com's high-quality single-band rubber duck antenna has a 2.15 dBi nominal gain and can be procured with no order limit. This rubber duck single-band 2.15 dBi antenna has a frequency range of 412 MHz to 520 MHz.

We lead the industry in supplying products like this 412 MHz to 520 MHz single-band antenna, along with other RF, microwave, and millimeter wave components. This rubber duck antenna from L-Com uses an I-COM connector and has a maximum input power of 20 watts. Use our single-band rubber duck antenna with vertical polarization for fixed and mobile services, public safety or emergency services, trunking for two-way radio communications, land and private mobile radio (LMR) (PMR), PtP or PtMP, tetra, and P-25 applications.

L-Com's rubber duck antenna with 2.15 dBi gain has an I-COM-type connector. This I-COM-series connectorized omnidirectional antenna is 0.5 inches tall, 0.5 inches wide, and 6.3 inches long. The LCANRBD1007 UHF antenna has 360-degrees of horizontal and 80-degrees of vertical HPBW. Our high-quality antenna has a maximum input VSWR (voltage standing wave ratio) of 3:1.

L-Com's 50 Ohms impedance antenna can operate at temperatures ranging from -40 °C to 60 °C. This single-band rubber duck antenna is offered with expert technical support, PDF datasheets, and CAD drawings with dimensions and specifications. Order your 2.15 dBi UHF rubber duck antennas now and enjoy our international or domestic same-day shipping.

Configuration

Design	Rubber Duck
Band Type	Single
Radiation Pattern	Omni Directional
Polarization	Vertical
Connector Type	I-COM

Electrical Specifications

Description	Minimum	Typical	Maximum	Units
Frequency Range	412		520	MHz

Click the following link (or enter part number in "SEARCH" on website) to obtain additional part information including price, inventory and certifications: [2.15 dBi, UHF Rubber Duck Antenna, 412-520 MHz, I-COM Connector, Vertical Polarization LCANRBD1007](#)

2.15 dBi, UHF Rubber Duck Antenna, 412-520 MHz,
I-COM Connector, Vertical Polarization

LCANRBD1007



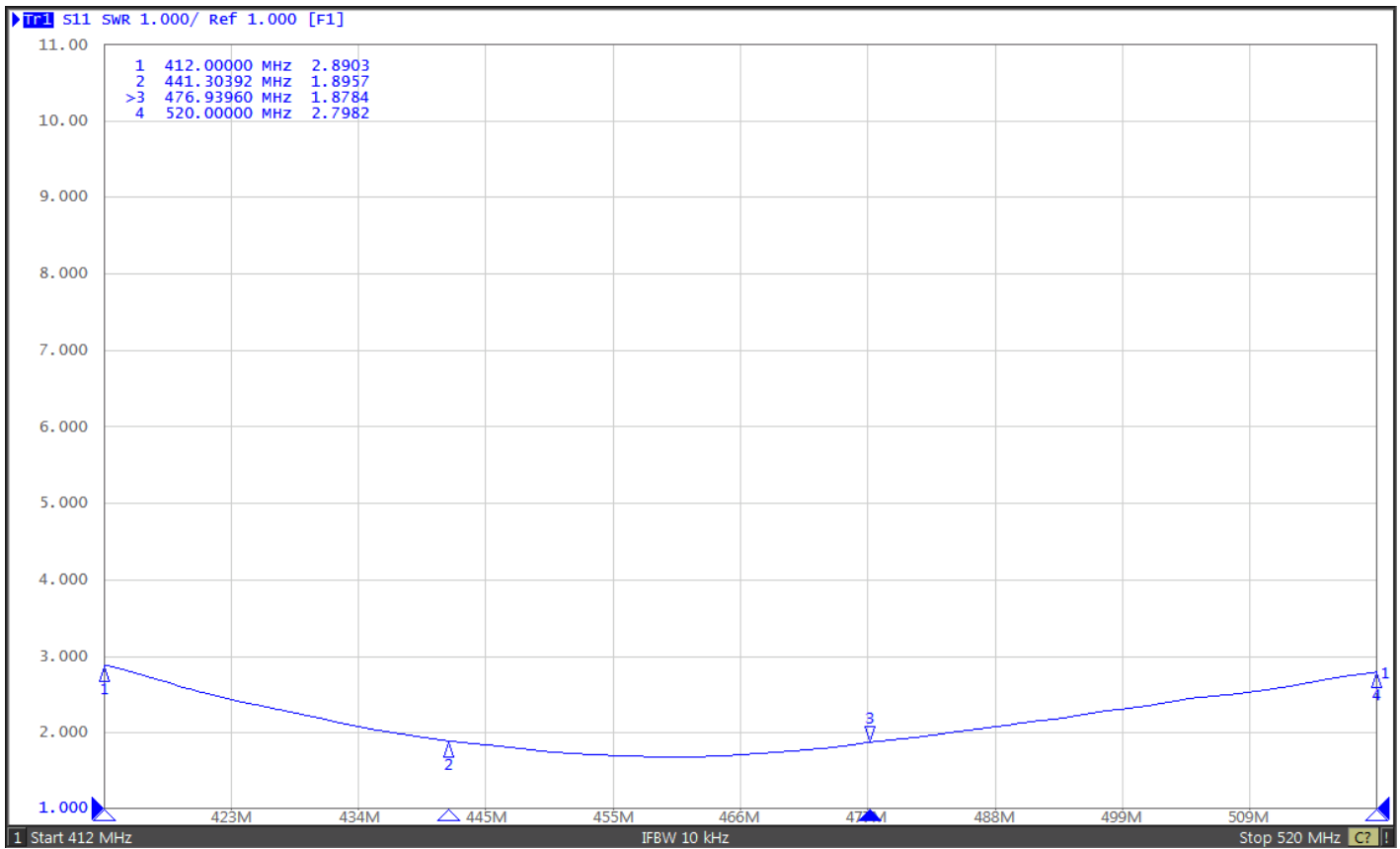
Input VSWR		3:1	
Impedance	50		Ohms
Gain	2.15		dBi
Horizontal (Azimuth) HPBW	Omnidirectional		
Vertical (Elevation) HPBW	80		Degrees
Input Power		20	Watts

2.15 dBi, UHF Rubber Duck Antenna, 412-520 MHz,
I-COM Connector, Vertical Polarization

LCANRBD1007



VSWR plot:



Mechanical Specifications

Size

Length	6.3 in [160.02 mm]
Width	0.5 in [12.7 mm]
Height	0.5 in [12.7 mm]
Weight	0.044 lbs [19.96 g]

2.15 dBi, UHF Rubber Duck Antenna, 412-520 MHz,
I-COM Connector, Vertical Polarization

LCANRBD1007



Environmental Specifications

Temperature

Operating Range -40 to +60 deg C

Compliance Certifications (see [product page](#) for current document)

Plotted and Other Data

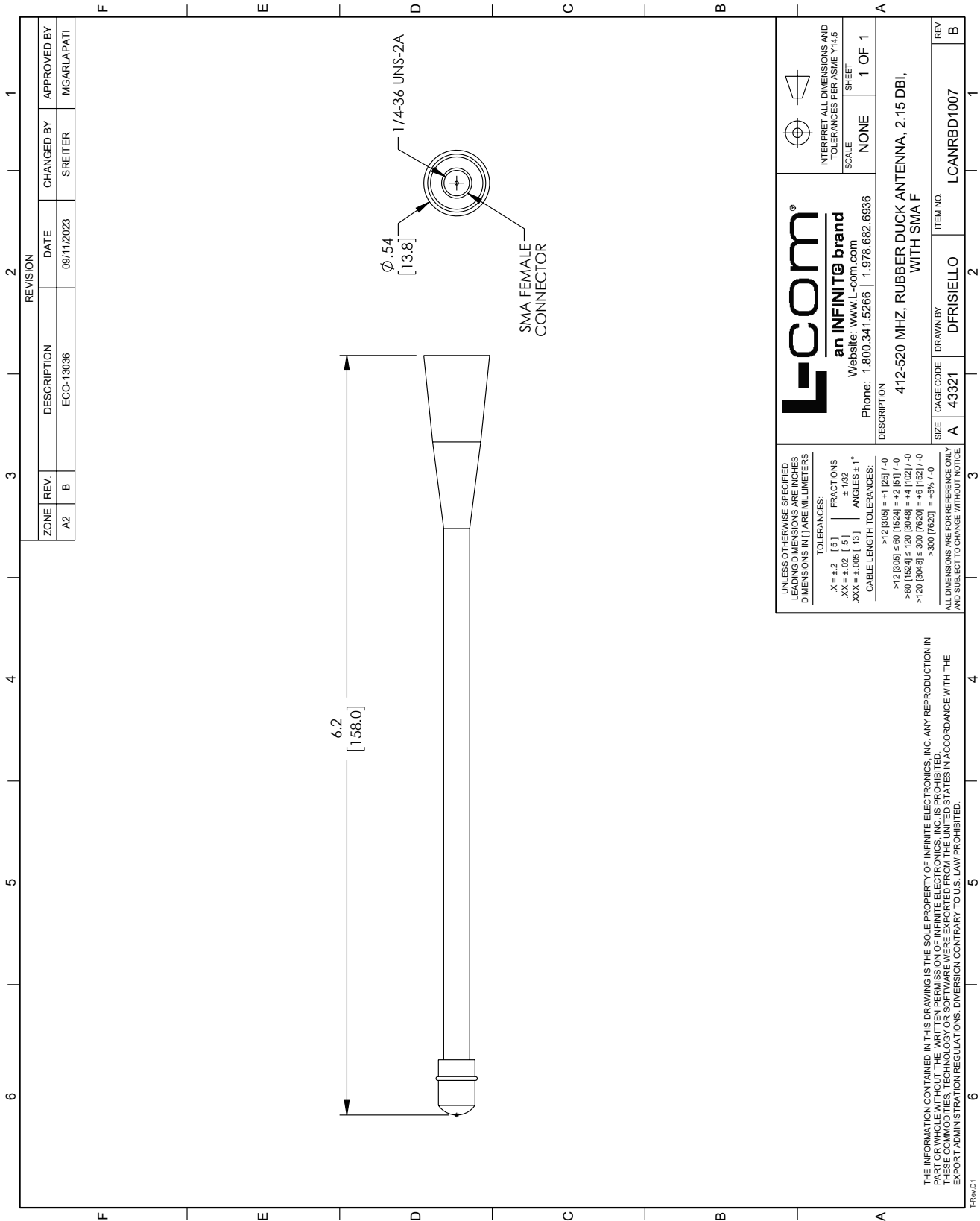
Notes:

2.15 dBi, UHF Rubber Duck Antenna, 412-520 MHz, I-COM Connector, Vertical Polarization from L-com has same day shipment for domestic and International orders. Our portfolio includes coaxial cable assemblies, connectors, adapters and custom products as well as lightning and surge protectors, NEMA rated enclosures, and an RF product line which includes antennas, amplifiers, passive, and active components.

The information contained within this document is accurate to the best of our knowledge and representative of the part described herein. It may be necessary to make modifications to the part and/or the documentation of the part in order to impliment improvements. L-com reserves the right to make such changes as required. Unless otherwise stated, all specifications are nominal. L-com does not make any representation or warranty regarding the suitability of the part described herein for any particular purpose, and L-com does not assume liability arising out of the use of any part or document.

2.15 dBi, UHF Rubber Duck Antenna, 412-520 MHz, I-COM Connector, Vertical Polarization

L-com CAD Drawing



REVISION		DATE	CHANGED BY	APPROVED BY
ZONE	REV.	DESCRIPTION	ECO-13036	MGARLAPATI
A2	B		SREITER	

L-com
an INFINITE brand
Website: www.l-com.com
Phone: 1.800.341.5266 | 1.978.682.6936

INTERPRET ALL DIMENSIONS AND TOLERANCES PER ASME Y14.5
SCALE: NONE
SHEET: 1 OF 1

DESCRIPTION: 412-520 MHZ, RUBBER DUCK ANTENNA, 2.15 DBI, WITH SMA F

SIZE	CAGE CODE	DRAWN BY	ITEM NO.
A	43321	DFRISIELLO	Lcanrbd1007

UNLESS OTHERWISE SPECIFIED LEADING DIMENSIONS ARE INCHES DIMENSIONS IN [] ARE MILLIMETERS

TOLERANCES:
.X = ±.2 [5] FRACTIONS ± 1/32
.XX = ±.02 [5] ANGLES ± 1°
.XXX = ±.005 [13] CABLE LENGTH TOLERANCES:
>12 [305] = +1 [25] / -0
>12 [305] ≤ 60 [1524] = +2 [51] / -0
>60 [1524] ≤ 120 [3048] = +4 [102] / -0
>120 [3048] ≤ 300 [7620] = +6 [152] / -0
>300 [7620] = +5% / -0

ALL DIMENSIONS ARE FOR REFERENCE ONLY AND SUBJECT TO CHANGE WITHOUT NOTICE.

THE INFORMATION CONTAINED IN THIS DRAWING IS THE SOLE PROPERTY OF INFINITE ELECTRONICS, INC. ANY REPRODUCTION IN PART OR WHOLE WITHOUT THE WRITTEN PERMISSION OF INFINITE ELECTRONICS, INC. IS PROHIBITED. INFINITE ELECTRONICS, INC. IS AN EQUAL OPPORTUNITY EMPLOYER. EXPORT ADMINISTRATION REGULATIONS DIVERSION CONTRARY TO U.S. LAW PROHIBITED.