

400-520 MHz Rubber Duck Antenna, 2.15 dBi gain,  
SMA-Female Connector, Vertical Polarization



## LCANRBD1021

### Features

- 400 MHz to 520 MHz, 2.15 dBi Gain
- SMA-Female connector
- Heliflex whip antenna
- Plug and play
- 50W power handling
- VSWR < 1.5:1
- Vertical polarization
- Black

### Applications

- PtP or PtMP applications
- Trunking for two-way radio comms
- UHF applications
- Public Safety / Emergency services
- Tetra and P-25 applications exclusively supported
- Land and Private mobile radio (LMR) (PMR)
- Fixed and mobile services

### Description

The L-com LCANRBD1021 is a single band rubber duck antenna that ships on the same day as ordered. Our vertical polarized antenna with 400 to 520 MHz frequency range has a SMA female connector. This antenna with a black radome made of TPE has an overall length of 5.90 in, a width of 0.500 in, and a weight of 0.022 lbs.

L-com's LCANRBD1021 is a single band antenna operating from 400 to 520 MHz with 2.15 dBi gain. The omni directional antenna has a maximum input VSWR of 1.5:1.

L-com has one of the largest in-stock collections of omni directional antennas with our wide selection of superior quality RF parts, that ship same day. Make your online purchase right now to take advantage of our same-day shipping. For further information on similar products, our expert technical support and knowledgeable sales team can help you get the ideal single band rubber duck antenna as per your requirement.

### Configuration

Design	Rubber Duck
Band Type	Single
Radiation Pattern	Omni Directional
Polarization	Vertical
Connector Type	SMA Female

### Electrical Specifications

Description	Minimum	Typical	Maximum	Units
Frequency Range	400		520	MHz
Input VSWR			1.5:1	
Impedance		50		Ohms
Gain		2.15		dBi
Input Power			50	Watts

Click the following link (or enter part number in "SEARCH" on website) to obtain additional part information including price, inventory and certifications:  
[400-520 MHz Rubber Duck Antenna, 2.15 dBi gain, SMA-Female Connector, Vertical Polarization LCANRBD1021](#)

400-520 MHz Rubber Duck Antenna, 2.15 dBi gain,  
SMA-Female Connector, Vertical Polarization

## LCANRBD1021



### Mechanical Specifications

Radome Material	TPE
<b>Size</b>	
Length	5.9 in [149.86 mm]
Width	0.5 in [12.7 mm]
Height	0.5 in [12.7 mm]
Weight	0.022 lbs [9.98 g]

### Environmental Specifications

<b>Temperature</b>	
Operating Range	-40 to +80 deg C

**Compliance Certifications** (see [product page](#) for current document)

### Plotted and Other Data

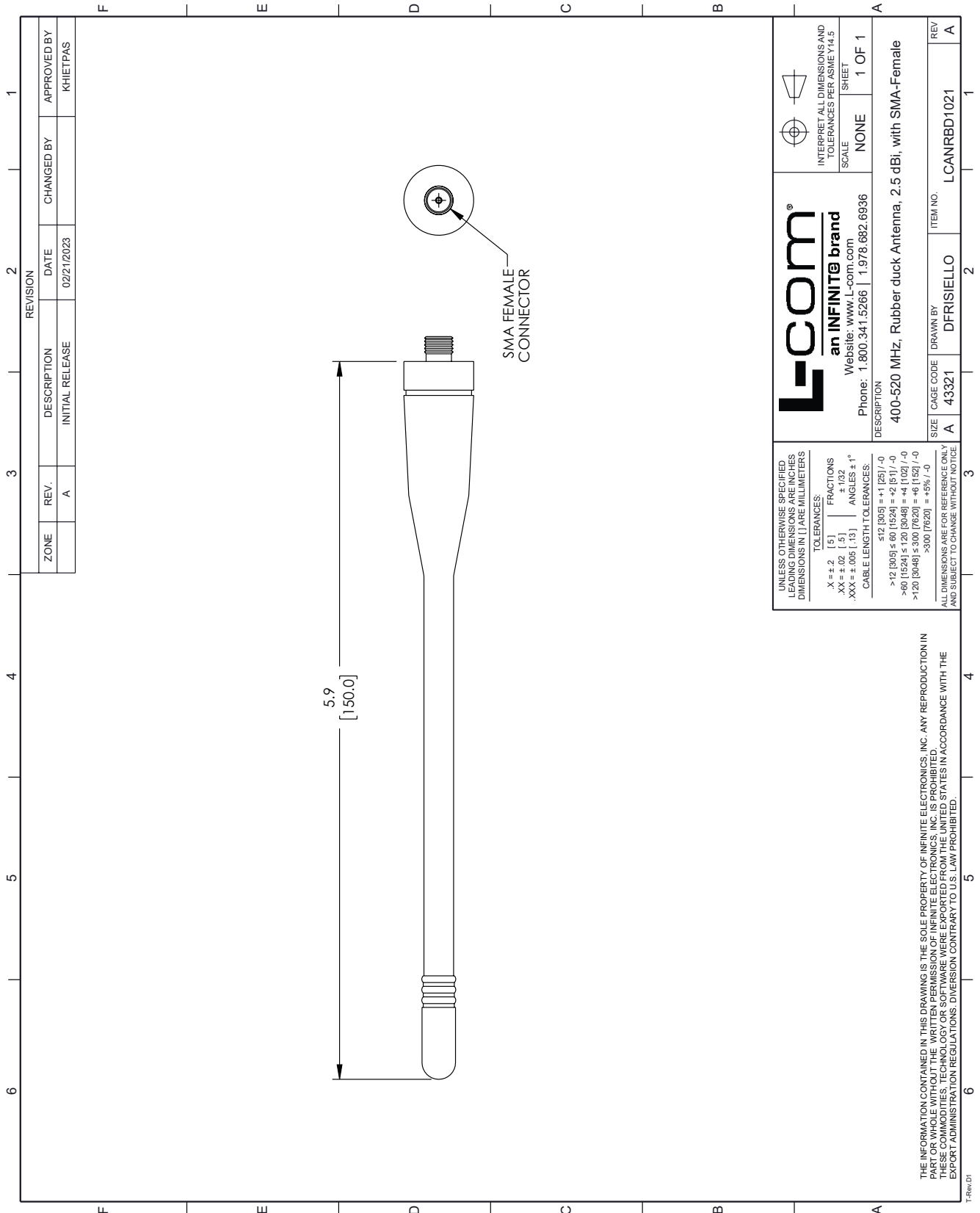
Notes:

400-520 MHz Rubber Duck Antenna, 2.15 dBi gain, SMA-Female Connector, Vertical Polarization from L-com has same day shipment for domestic and International orders. Our portfolio includes coaxial cable assemblies, connectors, adapters and custom products as well as lightning and surge protectors, NEMA rated enclosures, and an RF product line which includes antennas, amplifiers, passive, and active components.

The information contained within this document is accurate to the best of our knowledge and representative of the part described herein. It may be necessary to make modifications to the part and/or the documentation of the part in order to impliment improvements. L-com reserves the right to make such changes as required. Unless otherwise stated, all specifications are nominal. L-com does not make any representation or warranty regarding the suitability of the part described herein for any particular purpose, and L-com does not assume liability arising out of the use of any part or document.

400-520 MHz Rubber Duck Antenna, 2.15 dBi gain, SMA-Female Connector, Vertical Polarization

L-com CAD Drawing



ZONE		REVISION		APPROVED BY	
A	INITIAL RELEASE	DATE	CHANGED BY	KHETPAS	
		02/21/2023			

**L-com**  
an INFINITE brand  
Website: www.L-com.com  
Phone: 1.800.341.5266 | 1.978.682.6936

INTERPRET ALL DIMENSIONS AND TOLERANCES PER ASME Y14.5  
SCALE NONE SHEET 1 OF 1

UNLESS OTHERWISE SPECIFIED, LEADING DIMENSIONS ARE INCHES DIMENSIONS IN [ ] ARE MILLIMETERS  
TOLERANCES: X ± .2 [ .5 ] FRACTIONS XX ± .02 [ .5 ] ANGLES ± 1° XXX ± .005 [ .13 ]  
CABLE LENGTH TOLERANCES: .512 [ .05 ] = +.1 [ .25 ] / -0 > .12 [ .05 ] ≤ .60 [ 1.524 ] = -.2 [ .51 ] / -0 > .60 [ 1.524 ] ≤ 1.20 [ 30.48 ] = -.4 [ 1.02 ] / -0 > 1.20 [ 30.48 ] ≤ 3.00 [ 76.20 ] = -.6 [ 1.52 ] / -0 > 3.00 [ 76.20 ] = +.5% / -0  
ALL DIMENSIONS ARE FOR REFERENCE ONLY AND SUBJECT TO CHANGE WITHOUT NOTICE

DESCRIPTION  
400-520 MHz, Rubber duck Antenna, 2.5 dBi, with SMA-Female

SIZE	CAGE CODE	DRAWN BY	ITEM NO.
A	43321	DFRISIELLO	LCANRBD1021

THE INFORMATION CONTAINED IN THIS DRAWING IS THE SOLE PROPERTY OF INFINITE ELECTRONICS, INC. ANY REPRODUCTION IN PART OR WHOLE WITHOUT THE WRITTEN PERMISSION OF INFINITE ELECTRONICS, INC. IS PROHIBITED. THESE COMMODITIES, TECHNOLOGY OR SOFTWARE WERE EXPORTED FROM THE UNITED STATES IN ACCORDANCE WITH THE EXPORT ADMINISTRATION REGULATIONS. DIVERSION CONTRARY TO U.S. LAW PROHIBITED.

T-Rev.D1