

64-74 MHz Rubber Duck Antenna, 2.5 dBi gain, FME Female Connector, Vertical Polarization

LCANRBD1028

Features

- 64 MHz to 74 MHz, 2.5 dBi Gain
- FME-Female connector
- long heliflex whip antenna
- Plug and play
- 50W power handling
- VSWR < 1.5:1
- Vertical polarization
- Black

Applications

- PtP or PtMP applications
- Trunking for two-way radio comms
- VHF applications
- Public Safety / Emergency services
- Marine / Rail road communications
- P-25 applications exclusively supported
- Land mobile radio (LMR)
- Fixed and mobile services

Description

The L-com LCANRBD1028 is a single band rubber duck antenna that ships on the same day as ordered. Our vertical polarized antenna with 64 to 74 MHz frequency range has a FME female connector. This antenna with a black radome made of TPE has an overall length of 20.51 in, a width of 0.500 in, and a weight of 0.022 lbs.

L-com's LCANRBD1028 is a single band antenna operating from 64 to 74 MHz with 2.5 dBi gain. The omni directional antenna has a maximum input VSWR of 1.5:1.

L-com has one of the largest in-stock collections of omni directional antennas with our wide selection of superior quality RF parts, that ship same day. Make your online purchase right now to take advantage of our same-day shipping. For further information on similar products, our expert technical support and knowledgeable sales team can help you get the ideal single band rubber duck antenna as per your requirement.

Configuration

Design	Rubber Duck
Band Type	Single
Radiation Pattern	Omni Directional
Polarization	Vertical
Connector Type	FME Female

Electrical Specifications

Description	Minimum	Typical	Maximum	Units
Frequency Range	64		74	MHz
Input VSWR			1.5:1	
Impedance		50		Ohms
Gain		2.5		dBi
Input Power			50	Watts

Click the following link (or enter part number in "SEARCH" on website) to obtain additional part information including price, inventory and certifications:
[64-74 MHz Rubber Duck Antenna, 2.5 dBi gain, FME Female Connector, Vertical Polarization LCANRBD1028](#)

64-74 MHz Rubber Duck Antenna, 2.5 dBi gain, FME
Female Connector, Vertical Polarization

LCANRBD1028

Mechanical Specifications

Radome Material	TPE
Size	
Length	20.51 in [520.95 mm]
Width	0.5 in [12.7 mm]
Height	0.5 in [12.7 mm]
Weight	0.022 lbs [9.98 g]

Environmental Specifications

Temperature	
Operating Range	-40 to +80 deg C

Compliance Certifications (see [product page](#) for current document)

Plotted and Other Data

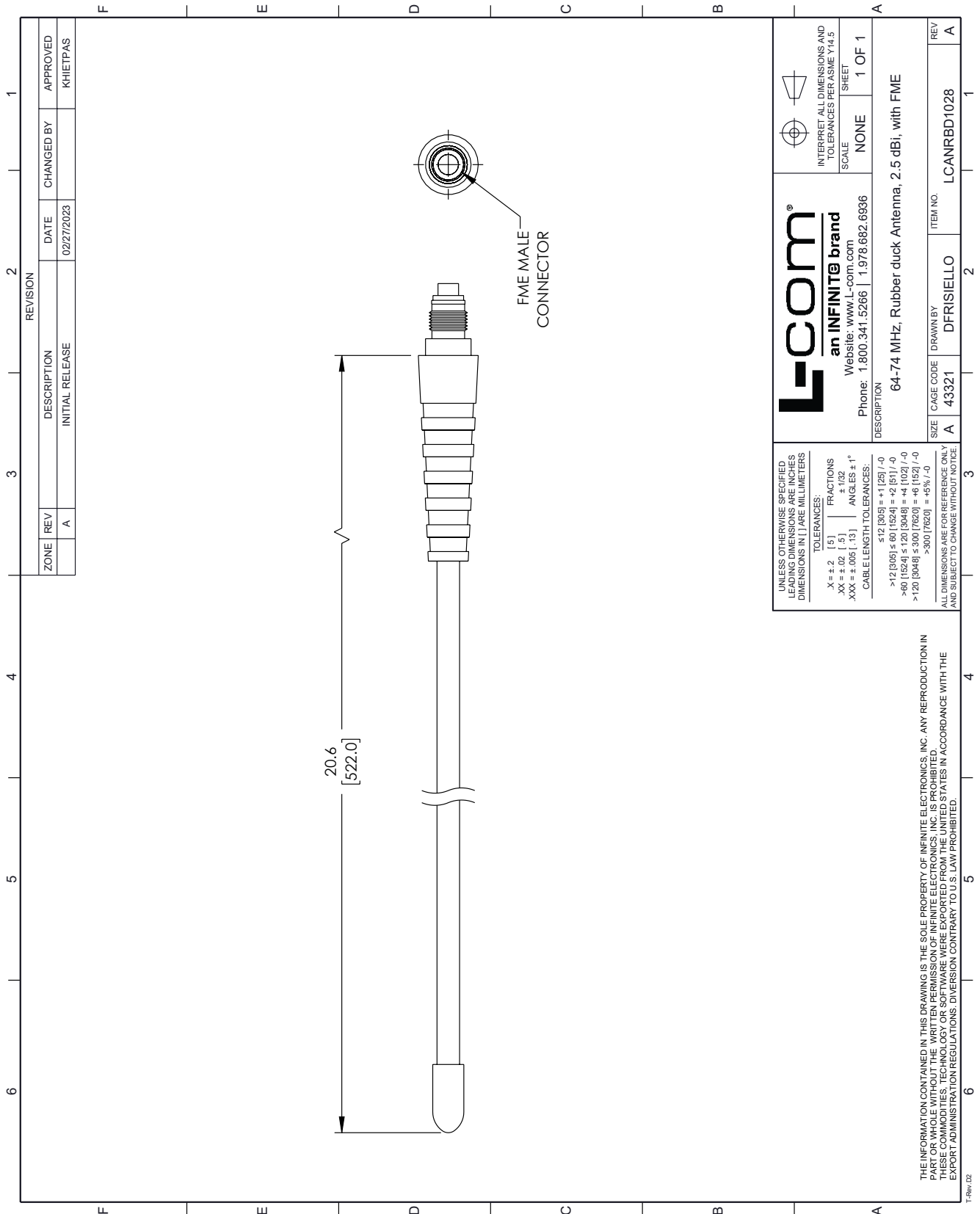
Notes:

64-74 MHz Rubber Duck Antenna, 2.5 dBi gain, FME Female Connector, Vertical Polarization from L-com has same day shipment for domestic and International orders. Our portfolio includes coaxial cable assemblies, connectors, adapters and custom products as well as lightning and surge protectors, NEMA rated enclosures, and an RF product line which includes antennas, amplifiers, passive, and active components.

The information contained within this document is accurate to the best of our knowledge and representative of the part described herein. It may be necessary to make modifications to the part and/or the documentation of the part in order to impliment improvements. L-com reserves the right to make such changes as required. Unless otherwise stated, all specifications are nominal. L-com does not make any representation or warranty regarding the suitability of the part described herein for any particular purpose, and L-com does not assume liability arising out of the use of any part or document.

64-74 MHz Rubber Duck Antenna, 2.5 dBi gain, FME Female Connector, Vertical Polarization

L-com CAD Drawing



ZONE		REVISION		APPROVED	
		DESCRIPTION	DATE	CHANGED BY	
A		INITIAL RELEASE	02/27/2023		KHIETPAS

L-com
an INFINITE brand
Website: www.L-com.com
Phone: 1.800.341.5266 | 1.978.682.6936

INTERPRET ALL DIMENSIONS AND TOLERANCES PER ASME Y14.5
SCALE: NONE
SHEET: 1 OF 1

DESCRIPTION: 64-74 MHz, Rubber duck Antenna, 2.5 dBi, with FME

SIZE	CAGE CODE	DRAWN BY	ITEM NO.
A	43321	DFRISIELLO	LCANRBD1028

REV: A

UNLESS OTHERWISE SPECIFIED, LEADING DIMENSIONS ARE INCHES DIMENSIONS IN [] ARE MILLIMETERS

TOLERANCES:
 X = ±.2 [.5] FRACTIONS
 XX = ±.02 [.5] ±.132
 XXX = ±.005 [.13] ANGLES ± 1°

CABLE LENGTH TOLERANCES:
 ≤ 12 [305] = ±.125 / -0
 > 12 [305] ≤ 60 [1524] = ±.25 [1] / -0
 > 60 [1524] ≤ 120 [3048] = ±.5 [1.25] / -0
 > 120 [3048] ≤ 300 [7620] = ±.75 [1.875] / -0
 > 300 [7620] = ±.75 [1.875] / -0

ALL DIMENSIONS ARE FOR REFERENCE ONLY AND SUBJECT TO CHANGE WITHOUT NOTICE

THE INFORMATION CONTAINED IN THIS DRAWING IS THE SOLE PROPERTY OF INFINITE ELECTRONICS, INC. ANY REPRODUCTION IN PART OR WHOLE WITHOUT THE WRITTEN PERMISSION OF INFINITE ELECTRONICS, INC. IS PROHIBITED. THESE COMMODITIES, TECHNOLOGY OR SOFTWARE WERE EXPORTED FROM THE UNITED STATES IN ACCORDANCE WITH THE EXPORT ADMINISTRATION REGULATIONS. DIVERSION CONTRARY TO U.S. LAW PROHIBITED.

T-Rev: 02