



2W/2 dB Fixed Attenuator, 75 Ohm BNC Male to 75 Ohm BNC Female Brass Tri-Metal Body Up to 4 GHz

RF Fixed Attenuators Technical Data Sheet

LCAT7438-2

Features

- DC to 4 GHz Frequency Range
- Attenuation 2 dB Typical
- Max Power 2 Watts (CW)
- VSWR < 1.35:1
- 75 Ohm Impedance

Applications

- Wireless
- Video Signal Transmission
- Radar Systems
- Test and Measurement
- Commercial and Military Communication
- Avionics

Description

L-com carries a wide range of fixed attenuators with a broad selection of attenuation levels and frequency ranges. RF fixed attenuators lower the amplitude of a signal (attenuate) by specific amount and can be used in a wide variety of applications. These attenuators are used when signal levels need to be reduced to protect measurement equipment or other circuitry, to extend the range of power meters and amplifiers, and to impedance match circuits by reducing the VSWR seen by adjacent components. RF attenuators can prevent signal overload in amplifiers, receivers and detectors, adjusting the signal level to optimal power range.

Few RF components are as commonly used as fixed coaxial attenuators, and L-com carries one of the largest in-stock varieties and ships them same day. The 2 dB Fixed Attenuator LCAT7438-2 is rated to 2 Watts and operates from DC to 4 GHz. The versatile coaxial package uses BNC male to BNC female connectors.

Electrical Specifications

Description	Minimum	Typical	Maximum	Units
Frequency Range	DC		4	GHz
Impedance		75		Ohms
Nominal Attenuation		2		dB
Attenuation Accuracy		0.5		dB
VSWR			1.35:1	
Input Power, CW			2	Watts

Mechanical Specifications

Size

- Length 2.087 in [53.01 mm]
- Width/Diameter 0.571 in [14.5 mm]
- Height 0.571 in [14.5 mm]
- Weight 0.057 lbs [25.85 g]
- Body Material and Plating Brass, Tri-Metal

Configuration

- Design Fixed



an INFINIT[®] brand



2W/2 dB Fixed Attenuator, 75 Ohm BNC Male to 75 Ohm BNC Female Brass Tri-Metal Body Up to 4 GHz

RF Fixed Attenuators Technical Data Sheet

LCAT7438-2

Connectors

Description	Connector 1	Connector 2
Type	BNC Male	BNC Female
Contact Material and Plating	Phosphor Bronze, Gold	Phosphor Bronze, Gold
Coupling Nut Material and Plating	Stainless Steel	
Body Material and Plating	Brass, Tri-Metal	Brass, Tri-Metal

Environmental Specifications

Temperature

Operating Range

-55 to +125 deg C

Compliance Certifications

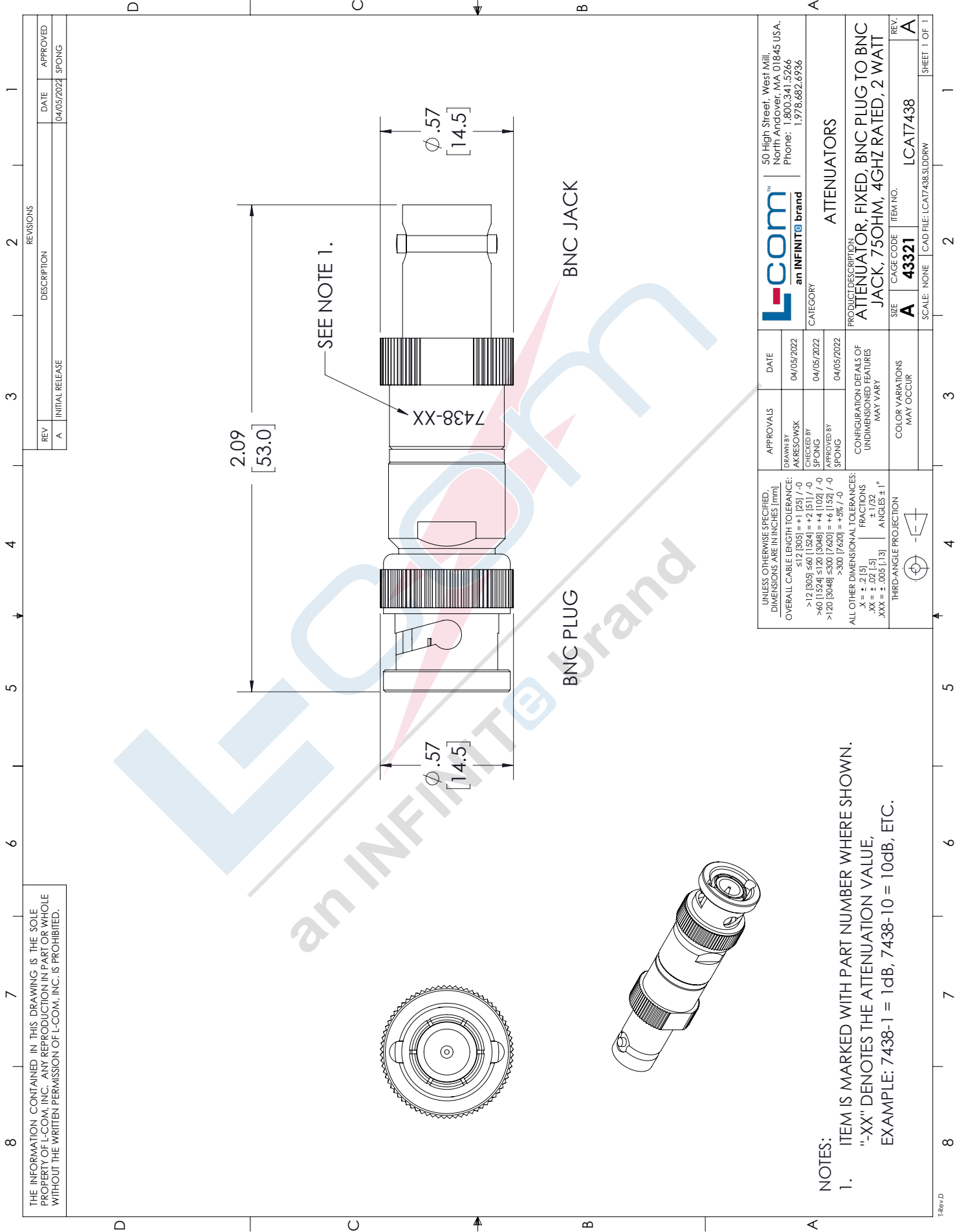
Plotted and Other Data

Our portfolio includes coaxial cable assemblies, connectors, adapters and custom products as well as lightning and surge protectors, NEMA rated enclosures, and an RF product line which includes antennas, amplifiers, passive, and active components.

The information contained in this document is accurate to the best of our knowledge and representative of the part described herein. It may be necessary to make modifications to the part and/or the documentation of the part, in order to implement improvements. L-com reserves the right to make such changes as required. Unless otherwise stated, all specifications are nominal. L-com does not make any representation or warranty regarding the suitability of the part described herein for any particular purpose, and L-com does not assume any liability arising out of the use of any part or documentation.

LCAT7438-2 CAD Drawing

2W/2 dB Fixed Attenuator, 75 Ohm BNC Male to 75 Ohm
BNC Female Brass Tri-Metal Body Up to 4 GHz



THE INFORMATION CONTAINED IN THIS DRAWING IS THE SOLE PROPERTY OF L-COM, INC. ANY REPRODUCTION IN PART OR WHOLE WITHOUT THE WRITTEN PERMISSION OF L-COM, INC. IS PROHIBITED.

UNLESS OTHERWISE SPECIFIED, DIMENSIONS ARE IN INCHES [mm]		APPROVALS	DATE
OVERALL CABLE LENGTH TOLERANCE:		DRAWN BY	04/05/2022
>12 [305]	≤60 [1524] = +1 [25] / -0	AKRESOWSK	
>60 [1524]	≤120 [3048] = +2 [51] / -0	CHECKED BY	04/05/2022
>120 [3048]	≤300 [7620] = +4 [102] / -0	SPONG	
	>300 [7620] = +6 [152] / -0	APPROVED BY	04/05/2022
	>300 [7620] = +5% / -0		
ALL OTHER DIMENSIONAL TOLERANCES:		CONFIGURATION DETAILS OF UNDIMENSIONED FEATURES MAY VARY	
X = ± 0.01 [0.25]	FRACTIONS	COLOR VARIATIONS MAY OCCUR	
XX = ± 0.02 [0.51]	± 1 [0.25]		
XXX = ± 0.05 [1.27]	ANGLES ± 1°		
THIRD-ANGLE PROJECTION			

 an INFINITE brand		50 High Street, West Mill, North Andover, MA 01845 USA. Phone: 1.800.341.5266 1.978.682.6936	
CATEGORY: ATTENUATORS			
PRODUCT DESCRIPTION: ATTENUATOR, FIXED, BNC PLUG TO BNC JACK, 75OHM, 4GHZ RATED, 2 WATT			
REV. A	CAGE CODE	ITEM NO.	REV. A
A	43321	LCAT7438	
SCALE: NONE		CAD FILE: LCAT7438.SLDDRW	

- NOTES:
- ITEM IS MARKED WITH PART NUMBER WHERE SHOWN. "-XX" DENOTES THE ATTENUATION VALUE, EXAMPLE: 7438-1 = 1dB, 7438-10 = 10dB, ETC.