

2W/9 dB Fixed Attenuator, 75 Ohm BNC Male to 75 Ohm BNC Female Brass Tri-Metal Body Up to 4 GHz



## LCAT7438-9

### RF Fixed Attenuators Technical Data Sheet

#### Features

- DC to 4 GHz Frequency Range
- Attenuation 9 dB Typical
- Max Power 2 Watts (CW)
- VSWR < 1.35:1
- 75 Ohm Impedance

#### Applications

- Wireless
- Video Signal Transmission
- Radar Systems
- Test and Measurement
- Commercial and Military Communication
- Avionics

#### Description

L-com carries a wide range of fixed attenuators with a broad selection of attenuation levels and frequency ranges. RF fixed attenuators lower the amplitude of a signal (attenuate) by specific amount and can be used in a wide variety of applications. These attenuators are used when signal levels need to be reduced to protect measurement equipment or other circuitry, to extend the range of power meters and amplifiers, and to impedance match circuits by reducing the VSWR seen by adjacent components. RF attenuators can prevent signal overload in amplifiers, receivers and detectors, adjusting the signal level to optimal power range.

Few RF components are as commonly used as fixed coaxial attenuators, and L-com carries one of the largest in-stock varieties and ships them same day. The 9 dB Fixed Attenuator LCAT7438-9 is rated to 2 Watts and operates from DC to 4 GHz. The versatile coaxial package uses BNC male to BNC female connectors.

#### Electrical Specifications

Description	Minimum	Typical	Maximum	Units
Frequency Range	DC		4	GHz
Impedance		75		Ohms
Nominal Attenuation		9		dB
Attenuation Accuracy		0.5		dB
VSWR			1.35:1	
Input Power, CW			2	Watts

#### Mechanical Specifications

##### Size

Length	2.087 in [53.01 mm]
Width/Diameter	0.571 in [14.5 mm]
Height	0.571 in [14.5 mm]
Weight	0.057 lbs [25.85 g]
Body Material and Plating	Brass, Tri-Metal

##### Configuration

Design	Fixed
--------	-------

Click the following link (or enter part number in "SEARCH" on website) to obtain additional part information including price, inventory and certifications:  
[2W/9 dB Fixed Attenuator, 75 Ohm BNC Male to 75 Ohm BNC Female Brass Tri-Metal Body Up to 4 GHz LCAT7438-9](#)

2W/9 dB Fixed Attenuator, 75 Ohm BNC Male to 75 Ohm  
BNC Female Brass Tri-Metal Body Up to 4 GHz



## LCAT7438-9

### Connectors

Description	Connector 1	Connector 2
Type	BNC Male	BNC Female
Contact Material and Plating	Phosphor Bronze, Gold	Phosphor Bronze, Gold
Coupling Nut Material and Plating	Stainless Steel	
Body Material and Plating	Brass, Tri-Metal	Brass, Tri-Metal

### Environmental Specifications

#### Temperature

Operating Range

-55 to +125 deg C

### Compliance Certifications

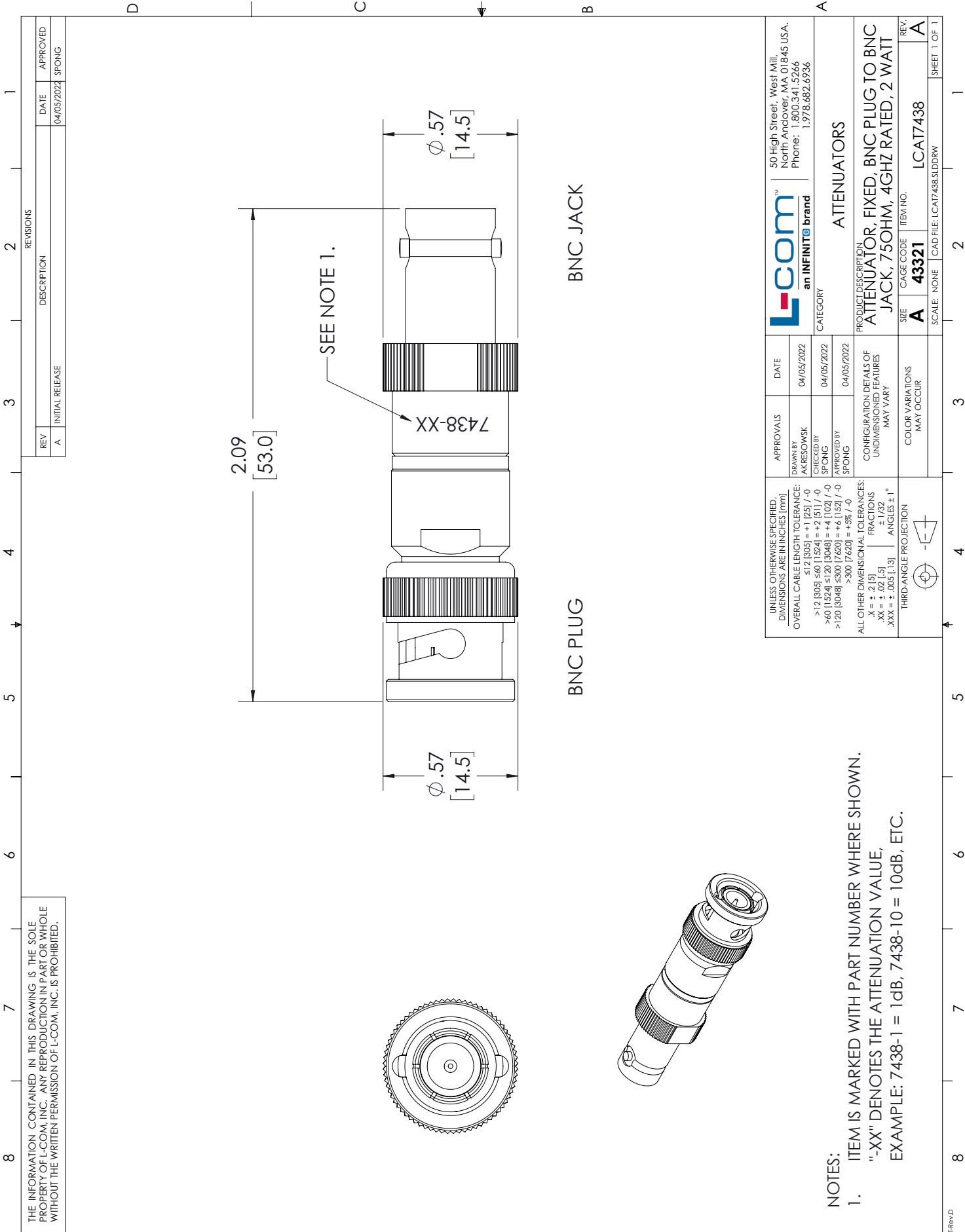
### Plotted and Other Data

Our portfolio includes coaxial cable assemblies, connectors, adapters and custom products as well as lightning and surge protectors, NEMA rated enclosures, and an RF product line which includes antennas, amplifiers, passive, and active components.

The information contained in this document is accurate to the best of our knowledge and representative of the part described herein. It may be necessary to make modifications to the part and/or the documentation of the part, in order to implement improvements. L-com reserves the right to make such changes as required. Unless otherwise stated, all specifications are nominal. L-com does not make any representation or warranty regarding the suitability of the part described herein for any particular purpose, and L-com does not assume any liability arising out of the use of any part or documentation.

# LCAT7438-9 CAD Drawing

## 2W/9 dB Fixed Attenuator, 75 Ohm BNC Male to 75 Ohm BNC Female Brass Tri-Metal Body Up to 4 GHz



THE INFORMATION CONTAINED IN THIS DRAWING IS THE SOLE PROPERTY OF L-COM, INC. ANY REPRODUCTION IN PART OR WHOLE WITHOUT THE WRITTEN PERMISSION OF L-COM, INC. IS PROHIBITED.

REV	INITIAL RELEASE	DATE	APPROVED
A		04/05/2022	SPONG

REV	DESCRIPTION
A	INITIAL RELEASE

REV	DATE	APPROVED
A	04/05/2022	SPONG

 an INFINITE brand		50 High Street, West Mill, North Andover, MA 01845 USA. Phone: 1.800.341.5266 1.978.682.6936	
APPROVALS	DATE	CATEGORY	
DRAWN BY AKRESOWSK	04/05/2022	ATTENUATORS	
CHECKED BY SPONG	04/05/2022	PRODUCT DESCRIPTION	
APPROVED BY SPONG	04/05/2022	ATTENUATOR, FIXED, BNC PLUG TO BNC JACK, 75OHM, 4GHZ RATED, 2 WATT	
UNLESS OTHERWISE SPECIFIED, DIMENSIONS ARE IN INCHES [mm]. OVERALL CABLE LENGTH TOLERANCE: <12 [305] ≤60 [1524] = +2 [51] / -0 >60 [1524] ≤120 [3048] = +4 [102] / -0 >120 [3048] ≤300 [7620] = +6 [152] / -0 >300 [7620] = +5% / -0		CONFIGURATION DETAILS OF UNDIMENSIONED FEATURES MAY VARY	
ALL OTHER DIMENSIONAL TOLERANCES: X = ± 2 [51] FRACTIONS XX = ± .02 [51] DECIMALS XXX = ± .005 [127] ANGLES ± 1°		COLOR VARIATIONS MAY OCCUR	
THIRD-ANGLE PROJECTION		SIZE	REV.
		A	A
		CAGE CODE	ITEM NO.
		43321	LCAT7438
		SCALE: NONE	CAD FILE: LCAT7438.SLDDRW
		SHEET 1 OF 1	

- NOTES:
- ITEM IS MARKED WITH PART NUMBER WHERE SHOWN. "-XX" DENOTES THE ATTENUATION VALUE, EXAMPLE: 7438-1 = 1dB, 7438-10 = 10dB, ETC.