

TNC Male to TNC Female Bulkhead Cable  
Assembly using LC141TBJ Coax, 1.5 FT



**LCCA30107-FT1.5**

**Configuration**

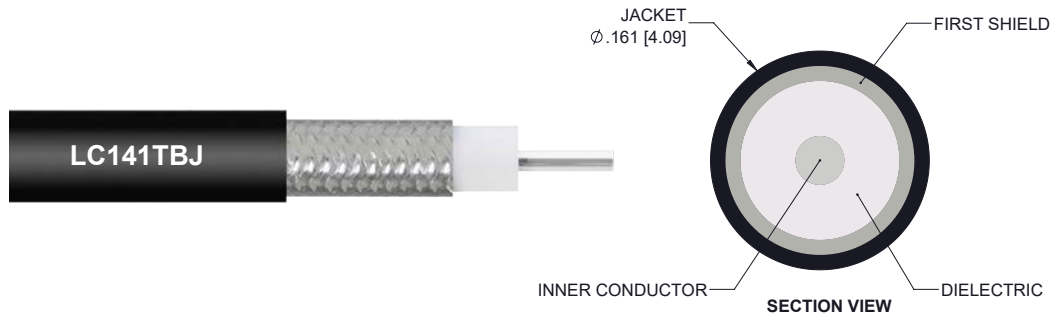
- Connector 1: TNC Male
- Connector 2: TNC Female Bulkhead
- Cable Type: LC141TBJ

**Features**

- Max Frequency 6 GHz
- Shielding Effectivity > 100dB
- PTFE Dielectric with 70% VoP
- Hand Formable
- Tin Filled Copper Braid Outer Conductor
- FEP Jacket

**Applications**

- General Purpose
- Laboratory Use
- System Interconnect



**Description**

L-com's LCCA30107-FT1.5 is a TNC male to TNC female bulkhead cable assembly using LC141TBJ coax, 1.5 FT and ships same-day. The LC141TBJ coax of this TNC cable uses the PTFE dielectric with a VoP of 70%. These formable RF cable assemblies are a great alternative to expensive semi-rigid assemblies because they can be hand formed to fit specific designs. Our L-com TNC to TNC cable assembly has a male to female gender configuration with formable LC141TBJ series coax and operates to 6 GHz. The jacketed tinned copper braid outer conductor is easily formed by hand with an overall diameter of 0.161 inches and excellent shielding effectiveness greater than 100dB. L-com's RF cable assembly with TNC bulkhead interface enables system designers to have external connections on their product enclosures or to be used for other rack mount and panel mount applications.

Custom versions of this TNC male to TNC female cable, along with the rest of L-com's other RF assemblies, can also be built and shipped same day. Other available RF cable assembly value added services from L-com include connector orientation or clocking, heat shrink booting and custom labeling. RF testing can also be performed to document the electrical performance of your cable assembly. Contact a sales representative for testing or custom RF cable quotes. Part number LCCA30107-FT1.5 L-com TNC Male to TNC Female Bulkhead Cable Assembly using LC141TBJ Coax, 1.5 FT data sheet PDF includes details of the RF product specifications, CAD drawing(s) and dimensions below.

TNC Male to TNC Female Bulkhead Cable  
Assembly using LC141TBJ Coax, 1.5 FT



## LCCA30107-FT1.5

### Electrical Specifications

Description	Minimum	Typical	Maximum	Units
Frequency Range	DC		6	GHz
Velocity of Propagation		70		%
RF Shielding	100			dB
Group Delay		1.43 [4.69]		ns/ft [ns/m]
Capacitance		29.4 [96.46]		pF/ft [pF/m]
DC Resistance Inner Conductor		8.23 [27]		Ohms/1000ft [Ohms/Km]
Operating Voltage (AC)			1,900	Vrms
Dielectric Withstanding Voltage (AC)			3,000	Vrms

### Specifications by Frequency

Description	F1	F2	F3	F4	F5	Units
Frequency	0.25	0.5	1	2.5	6	GHz
Insertion Loss (Max.)	0.3	0.33	0.39	0.5	0.73	dB

#### Electrical Specification Notes:

The Insertion Loss data above is based on the performance specifications of the coax cable and connectors used in this assembly. The Insertion Loss is estimated as 0.1 dB per connector.

### Mechanical Specifications

#### Cable Assembly

Length 18 in [457.2 mm]  
Diameter 0.032 in [0.81 mm]

#### Cable

Cable Type LC141TBJ  
Impedance 50 Ohms  
Inner Conductor Type Solid  
Inner Conductor Material and Plating Copper, Silver  
Dielectric Type PTFE  
Number of Shields 0  
Outer Conductor Material and Plating Tinned Copper Braid  
Outer Conductor Diameter 0.139 in [3.53 mm]  
Jacket Material FEP  
Jacket Diameter 0.161 in [4.09 mm]

One Time Minimum Bend Radius 0.315 in [8 mm]

TNC Male to TNC Female Bulkhead Cable  
Assembly using LC141TBJ Coax, 1.5 FT



## LCCA30107-FT1.5

Repeated Minimum Bend Radius 1.575 in [40.01 mm]

### Connectors

Description	Connector 1	Connector 2
Type	TNC Male	TNC Female Bulkhead
Impedance	50 Ohms	50 Ohms
Contact Material and Plating	Brass, Gold over Nickel	Beryllium Copper, Gold over Nickel
Dielectric Type	PTFE	PTFE
Outer Conductor Material and Plating		Brass, Nickel
Body Material and Plating	Brass, Nickel	Brass, Nickel
Coupling Nut Material and Plating	Brass, Nickel	

### Environmental Specifications

#### Temperature

Operating Range -65 to +150 deg C

**Compliance Certifications** (see [product page](#) for current document)

### Plotted and Other Data

Notes:

- Values at 25°C, sea level.

TNC Male to TNC Female Bulkhead Cable Assembly using LC141TBJ Coax, 1.5 FT

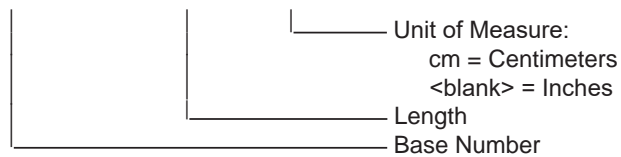


## LCCA30107-FT1.5

### How to Order

Part Number Configuration:

**LCCA30107 - xx uu**



Example: LCCA30107-12 = 12 inches long cable  
LCCA30107-100cm = 100 cm long cable

TNC Male to TNC Female Bulkhead Cable Assembly using LC141TBJ Coax, 1.5 FT from L-com has same day shipment for domestic and International orders. L-com is a leading manufacturer of wired and wireless connectivity products and committed to in-stock availability and same day shipping. Our portfolio includes coaxial cable assemblies, connectors, adapters and custom products as well as lightning and surge protectors, NEMA rated enclosures, and an RF product line which includes antennas, amplifiers, passive, and active components.

The information contained within this document is accurate to the best of our knowledge and representative of the part described herein. It may be necessary to make modifications to the part and/or the documentation of the part in order to impliment improvements. L-com reserves the right to make such changes as required. Unless otherwise stated, all specifications are nominal. L-com does not make any representation or warranty regarding the suitability of the part described herein for any particular purpose, and L-com does not assume liability arising out of the use of any part or document.ontained within this document is accurate to the best of our knowledge and representative of the part described herein. It may be necessary to make modifications to the part and/or the documentation of the part in order to impliment improvements. L-com reserves the right to make such changes as required. Unless otherwise stated, all specifications are nominal. L-com does not make any representation or warranty regarding the suitability of the part described herein for any particular purpose, and L-com does not assume liability arising out of the use of any part or document.

TNC Male to TNC Female Bulkhead Cable Assembly using LC141TBJ Coax, 1.5 FT

L-com CAD Drawing

