

Precision SMA Male to N Female Bulkhead Cable Assembly using LC085TB Coax, 1.5 FT , LF Solder



## LCCA30542-FT1.5

### Configuration

- Connector 1: SMA Male
- Connector 2: N Female Bulkhead
- Cable Type: LC085TB

### Features

- Max Frequency 10 GHz
- Shielding Effectivity > 100dB
- PTFE Dielectric with 69.5% VoP
- Hand Formable
- Tin Filled Copper Composite Braid Outer Conductor

### Applications

- General Purpose
- Laboratory Use
- System Interconnect



### Description

L-com's LCCA30542-FT1.5 is a precision SMA male to N female bulkhead cable assembly using LC085TB coax, 1.5 FT , LF solder and ships same-day. The LC085TB coax of this SMA cable uses the PTFE dielectric with a VoP of 69.5%. These formable RF cable assemblies are a great alternative to expensive semi-rigid assemblies because they can be hand formed to fit specific designs. Our L-com SMA to N cable assembly has a male to female gender configuration with formable LC085TB series coax and operates to 10 GHz. The outer conductor is easily formed by hand with an overall diameter of 0.085 inches and excellent shielding effectiveness greater than 100dB. L-com's RF cable assembly with N bulkhead interface enables system designers to have external connections on their product enclosures or to be used for other rack mount and panel mount applications.

Custom versions of this SMA male to SMA female cable, along with the rest of L-com's other RF assemblies, can also be built and shipped same day. Other available RF cable assembly value added services from L-com include connector orientation or clocking, heat shrink booting and custom labeling. RF testing can also be performed to document the electrical performance of your cable assembly. Contact a sales representative for testing or custom RF cable quotes. Part number LCCA30542-FT1.5 L-com Precision SMA Male to N Female Bulkhead Cable Assembly using LC085TB Coax, 1.5 FT , LF Solder data sheet PDF includes details of the RF product specifications, CAD drawing(s) and dimensions below.

Precision SMA Male to N Female Bulkhead Cable  
Assembly using LC085TB Coax, 1.5 FT , LF Solder



## LCCA30542-FT1.5

### Electrical Specifications

Description	Minimum	Typical	Maximum	Units
Frequency Range	DC		10	GHz
VSWR			1.5:1	
Velocity of Propagation		69.5		%
RF Shielding	100			dB
Capacitance		29 [95.14]		pF/ft [pF/m]
Operating Voltage (AC)			335	Vrms

### Specifications by Frequency

Description	F1	F2	F3	F4	F5	Units
Frequency	0.5	1	2.5	5	10	GHz
Insertion Loss (Typ.)	0.43	0.55	0.73	1.02	1.41	dB

#### Electrical Specification Notes:

The Insertion Loss data above is based on the performance specifications of the coax cable and connectors used in this assembly.  
The Insertion Loss includes an estimated insertion loss of 0.1 dB per connector.

### Mechanical Specifications

#### Cable Assembly

Length	18 in [457.2 mm]
Diameter	0.866 in [22 mm]
Weight	0.105 lbs [47.63 g]

#### Cable

Cable Type	LC085TB
Impedance	50 Ohms
Inner Conductor Type	Solid
Inner Conductor Material and Plating	Copper Clad Steel, Silver
Dielectric Type	PTFE
Number of Shields	1
Shield Layer 1	Tinned Copper Braid
Outer Conductor Diameter	0.085 in [2.16 mm]

Precision SMA Male to N Female Bulkhead Cable  
Assembly using LC085TB Coax, 1.5 FT , LF Solder



## LCCA30542-FT1.5

### Connectors

Description	Connector 1	Connector 2
Type	SMA Male	N Female Bulkhead
Impedance	50 Ohms	50 Ohms
Contact Material and Plating	Brass, Gold	Phosphor Bronze, Gold
Dielectric Type	PTFE	PTFE
Body Material and Plating	Brass, Gold	Brass, Nickel
Coupling Nut Material and Plating	Passivated Stainless Steel	
Hex Size	5/16 in.	
Torque	8 in-lbs 0.9 Nm	

### Environmental Specifications

#### Temperature

Operating Range -65 to +125 deg C

**Compliance Certifications** (see [product page](#) for current document)

### Plotted and Other Data

Notes:

- Values at 25°C, sea level.

Precision SMA Male to N Female Bulkhead Cable Assembly using LC085TB Coax, 1.5 FT , LF Solder



## LCCA30542-FT1.5

### How to Order

Part Number Configuration:

**LCCA30542 - xx uu**



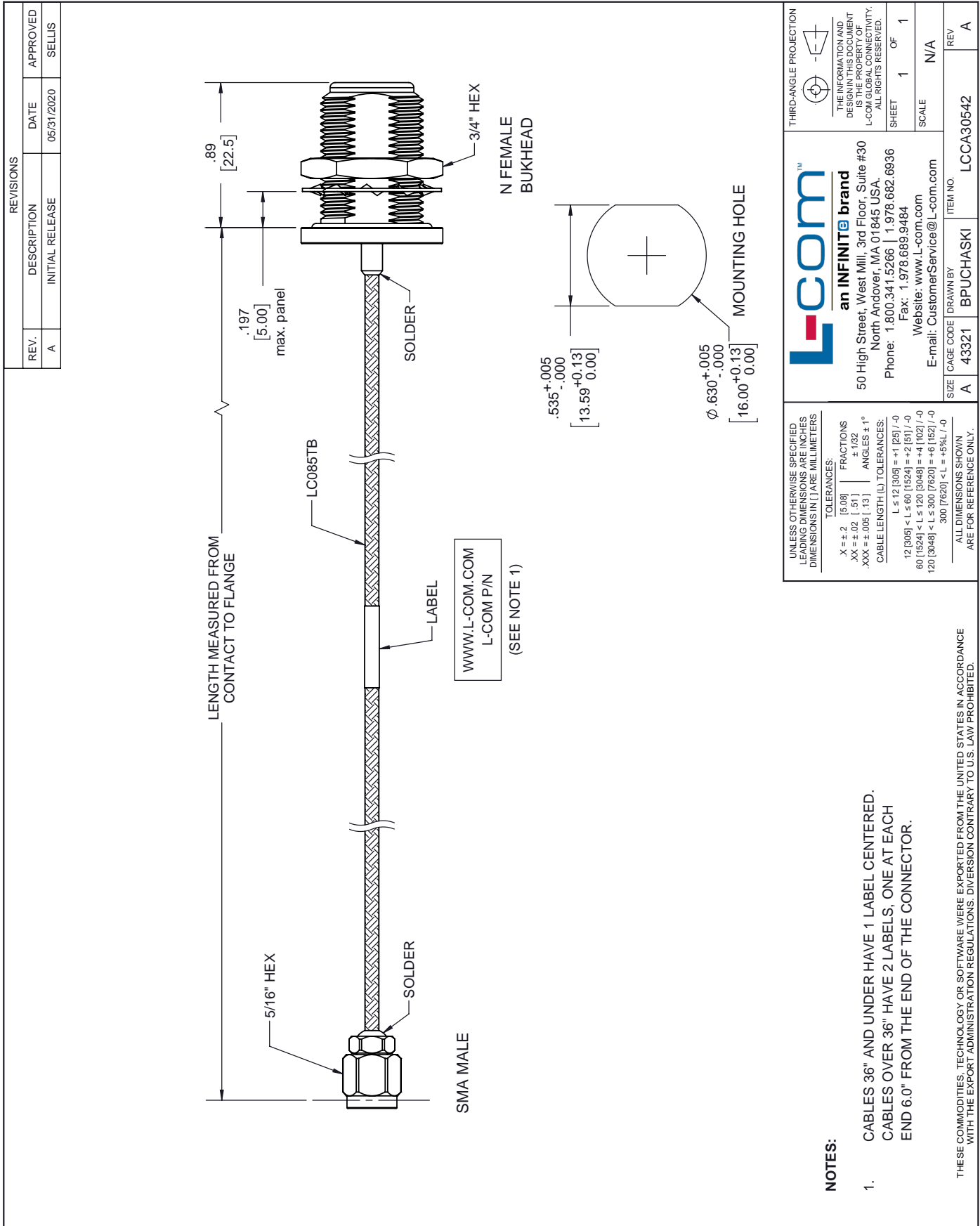
Example: LCCA30542-12 = 12 inches long cable  
LCCA30542-100cm = 100 cm long cable

Precision SMA Male to N Female Bulkhead Cable Assembly using LC085TB Coax, 1.5 FT , LF Solder from L-com has same day shipment for domestic and International orders. L-com is a leading manufacturer of wired and wireless connectivity products and committed to in-stock availability and same day shipping. Our portfolio includes coaxial cable assemblies, connectors, adapters and custom products as well as lightning and surge protectors, NEMA rated enclosures, and an RF product line which includes antennas, amplifiers, passive, and active components.

The information contained within this document is accurate to the best of our knowledge and representative of the part described herein. It may be necessary to make modifications to the part and/or the documentation of the part in order to impliment improvements. L-com reserves the right to make such changes as required. Unless otherwise stated, all specifications are nominal. L-com does not make any representation or warranty regarding the suitability of the part described herein for any particular purpose, and L-com does not assume liability arising out of the use of any part or document.ontained within this document is accurate to the best of our knowledge and representative of the part described herein. It may be necessary to make modifications to the part and/or the documentation of the part in order to impliment improvements. L-com reserves the right to make such changes as required. Unless otherwise stated, all specifications are nominal. L-com does not make any representation or warranty regarding the suitability of the part described herein for any particular purpose, and L-com does not assume liability arising out of the use of any part or document.

Precision SMA Male to N Female Bulkhead Cable Assembly using LC085TB Coax, 1.5 FT , LF Solder

L-com CAD Drawing



REVISIONS		
REV.	DESCRIPTION	DATE
A	INITIAL RELEASE	05/31/2020
		APPROVED
		SELLIS

**THIRD-ANGLE PROJECTION**

**L-com™**  
an INFINITE brand

50 High Street, West Mill, 3rd Floor, Suite #30  
North Andover, MA 01845 USA.  
Phone: 1.800.341.5266 | 1.978.682.6936  
Fax: 1.978.689.9484  
Website: www.L-com.com  
E-mail: CustomerService@L-com.com

UNLESS OTHERWISE SPECIFIED LEADING DIMENSIONS ARE INCHES DIMENSIONS IN [ ] ARE MILLIMETERS

**TOLERANCES:**

.X ± .2	[5.08]	FRACTIONS
.XX ± .02	[.51]	± 1/32
.XXX ± .005	[.13]	ANGLES ± 1°

**CABLE LENGTH (L) TOLERANCES:**

L ≤ 12 [305]	± 1 [25] / -0
60 [1524] < L ≤ 120 [3048]	± 2 [61] / -0
120 [3048] < L ≤ 300 [7620]	± 6 [152] / -0
300 [7620] < L ≤ ∞	± 9% [L] / -0

ALL DIMENSIONS SHOWN ARE FOR REFERENCE ONLY.

SCALE: N/A

SHEET 1 OF 1

ITEM NO. LCCA30542

REV A

**NOTES:**

1. CABLES 36" AND UNDER HAVE 1 LABEL CENTERED. CABLES OVER 36" HAVE 2 LABELS, ONE AT EACH END 6.0" FROM THE END OF THE CONNECTOR.

THESE COMMODITIES, TECHNOLOGY OR SOFTWARE WERE EXPORTED FROM THE UNITED STATES IN ACCORDANCE WITH THE EXPORT ADMINISTRATION REGULATIONS. DIVERSION CONTRARY TO U.S. LAW PROHIBITED.

T-Rev D