

78 Ohm TRB 3-Slot Plug 1553 Connector Clamp/
Solder Attachment for 30-02001-LC, TWC-78-2



LCCN10-06030-210

Configuration

- TRB 3-Slot Plug Connector
- MIL-STD-1553
- 78 Ohms
- Straight Body Geometry
- 30-02001-LC, TWC-78-2 Interface Type
- Clamp/Solder Attachment

Features

- Twinax Connectivity
- Three lug bayonet coupling

Applications

- Robust Design
- Ease of use
- Use in high shock and vibration environment

Description

These twinaxial cable plugs with TRB interface are the most popular cable plugs used in wide cable assembly applications to be used with Bus Couplers, avionics control boxes, Bus Relays, etc. This TRB plug has a bayonet coupling design with a center contact and an intermediate cylindrical contact. The bayonet type can withstand severe shocks and vibrations.

Electrical Specifications

Description	Minimum	Typical	Maximum	Units
Frequency Range	DC		500	MHz
Insertion Loss		0.1		dB

Mechanical Specifications

Size

Length	1.12 in [28.45 mm]
Width	0.57 in [14.48 mm]
Height	0.57 in [14.48 mm]
Weight	0.04 lbs [19.87 g]

Material Specifications

Description	Material	Plating
Contact	Beryllium Copper	Gold 30 micro inches ASTM-B-488
Insulation	Teflon	
Outer Conductor	Phosphor Bronze	ASTM-B-488
Body	Brass	Nickel ASTM-B-733

Click the following link (or enter part number in "SEARCH" on website) to obtain additional part information including price, inventory and certifications:
[78 Ohm TRB 3-Slot Plug 1553 Connector Clamp/Solder Attachment for 30-02001-LC, TWC-78-2 LCCN10-06030-210](#)

78 Ohm TRB 3-Slot Plug 1553 Connector Clamp/
Solder Attachment for 30-02001-LC, TWC-78-2



LCCN10-06030-210

Gasket	Rubber	
Crimp Sleeve	Brass	Nickel

Environmental Specifications

Temperature

Operating Range -55deg C to +200deg C

Compliance Certifications (see [product page](#) for current document)

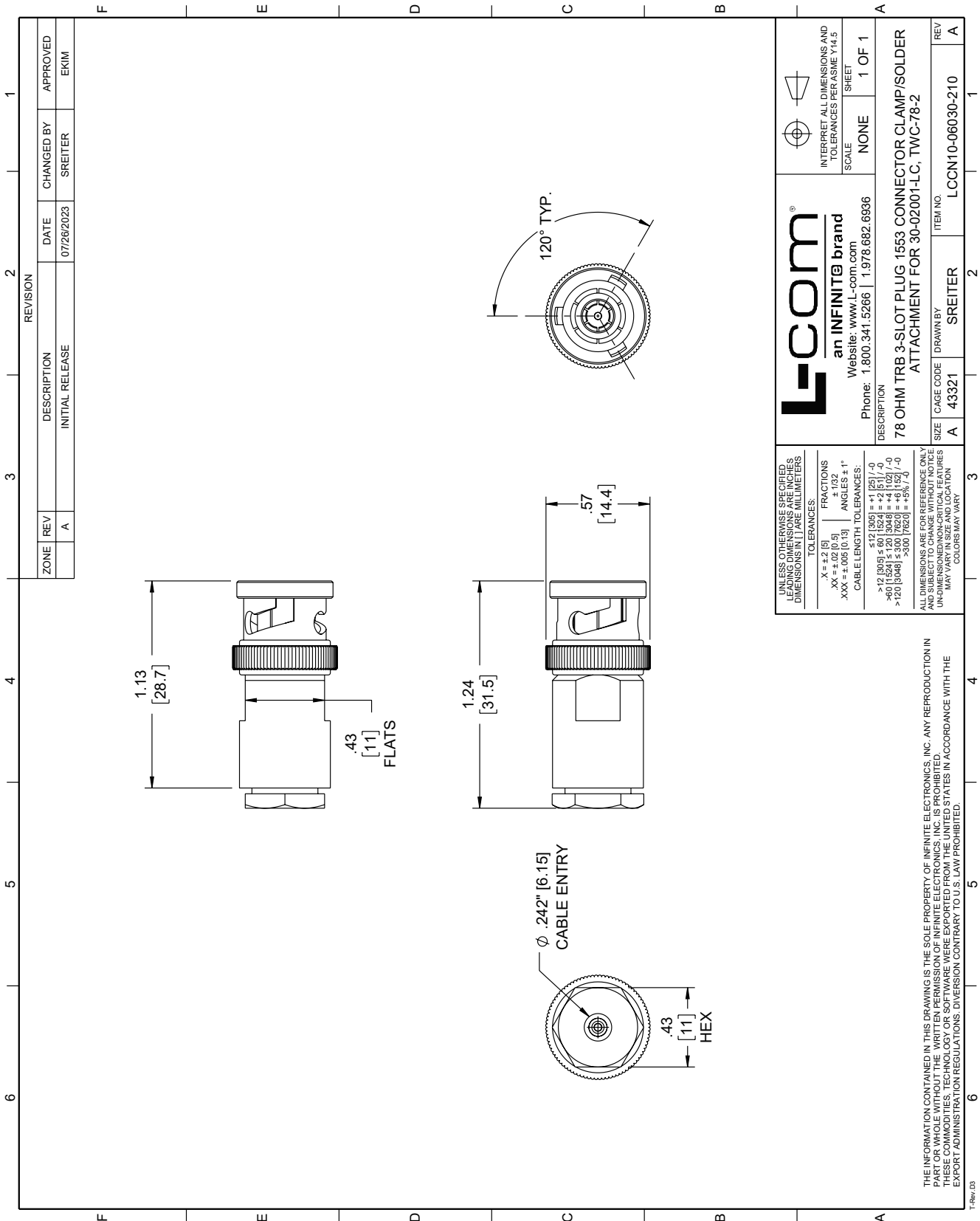
Plotted and Other Data

78 Ohm TRB 3-Slot Plug 1553 Connector Clamp/Solder Attachment for 30-02001-LC, TWC-78-2 from L-com has same day shipment for domestic and International orders. Our portfolio includes coaxial cable assemblies, connectors, adapters and custom products as well as lightning and surge protectors, NEMA rated enclosures, and an RF product line which includes antennas, amplifiers, passive, and active components. Click the following link (or enter part number in "SEARCH" on website) to obtain additional part information including price, inventory and certifications: 78 Ohm TRB 3-Slot Plug 1553 Connector Clamp/Solder Attachment for 30-02001-LC, TWC-78-2 LCCN10-06030-210

URL: <https://www.l-com.com/78-ohm-trb-3-slot-plug-1553-connector-clamp-solder-attachment-30-02001-lc-twc-78-2-lccn10-06030-210-p.aspx>

The information contained within this document is accurate to the best of our knowledge and representative of the part described herein. It may be necessary to make modifications to the part and/or the documentation of the part in order to impliment improvements. L-com reserves the right to make such changes as required. Unless otherwise stated, all specifications are nominal. L-com does not make any representation or warranty regarding the suitability of the part described herein for any particular purpose, and L-com does not assume liability arising out of the use of any part or document.ontained within this document is accurate to the best of our knowledge and representative of the part described herein. It may be necessary to make modifications to the part and/or the documentation of the part in order to impliment improvements. L-com reserves the right to make such changes as required. Unless otherwise stated, all specifications are nominal. L-com does not make any representation or warranty regarding the suitability of the part described herein for any particular purpose, and L-com does not assume liability arising out of the use of any part or document.

L-com CAD Drawing



ZONE		REV		DESCRIPTION		DATE		CHANGED BY		APPROVED	
A		A		INITIAL RELEASE		07/26/2023		SREITER		EKIM	

ZONE		REV		DESCRIPTION		DATE		CHANGED BY		APPROVED	
A		A		INITIAL RELEASE		07/26/2023		SREITER		EKIM	

L-com
an INFINITE brand
Website: www.L-com.com
Phone: 1.800.341.5266 | 1.978.682.6936

INTERPRET ALL DIMENSIONS AND TOLERANCES PER ASME Y14.5
SCALE: NONE
SHEET: 1 OF 1

DESCRIPTION: 78 OHM TRB 3-SLOT PLUG 1553 CONNECTOR CLAMP/SOLDER ATTACHMENT FOR 30-02001-LC, TWC-78-2
CAGE CODE: 43321
DRAWN BY: SREITER
ITEM NO.: LCCN10-06030-210

UNLESS OTHERWISE SPECIFIED, LEADING DIMENSIONS ARE IN INCHES, DIMENSIONS IN PARENTHESES ARE IN MILLIMETERS.

TOLERANCES:
X = ±.2 (5)
XX = ±.005 (0.13)
XXX = ±.001 (0.025)

FRACTIONS: XX = 1/16 (1.5875)
ANGLES ± 1°

CABLE LENGTH TOLERANCES:
≤ 12 [304.8] ±.001 (0.025)
> 12 [304.8] ≤ 60 [1524] ±.001 (0.025)
> 60 [1524] ≤ 120 [3048] ±.001 (0.025)
> 120 [3048] ≤ 300 [7620] ±.001 (0.025)
> 300 [7620] ±.001 (0.025)

ALL DIMENSIONS ARE FOR REFERENCE ONLY AND SUBJECT TO MANUFACTURING VARIATIONS. DIMENSIONS IN SIZE AND LOCATION MAY VARY IN SIZE AND LOCATION. COLORS MAY VARY.

THE INFORMATION CONTAINED IN THIS DRAWING IS THE SOLE PROPERTY OF INFINITE ELECTRONICS, INC. ANY REPRODUCTION IN PART OR WHOLE WITHOUT THE WRITTEN PERMISSION OF INFINITE ELECTRONICS, INC. IS PROHIBITED. THESE COMMODITIES, TECHNOLOGY OR SOFTWARE WERE EXPORTED FROM THE UNITED STATES IN ACCORDANCE WITH THE EXPORT ADMINISTRATION REGULATIONS. DIVERSION CONTRARY TO U.S. LAW PROHIBITED.

T-Rev: 03