

78 Ohm TRB 3-Slot Plug Clamp/Solder 1553 Connector with Bend Relief for 30-02003-LC, TWC-78-1 (OD .150")



LCCN10-06033-231

Configuration

- TRB 3-Slot Plug Connector
- MIL-STD-1553
- 78 Ohms
- Straight Body Geometry
- 30-02003-LC, TWC-78-1 Interface Type
- Clamp/Solder Attachment
- 1553 Design

Features

- Twinax Connectivity
- 3 Slot Bayonet Coupling
- Bend Relief

Applications

- Robust Design
- Ease of Use
- Use in High Shock and Vibration Environment

Description

These twinaxial cable plugs with TRB interface are the most popular cable plugs used in wide cable assembly applications to be used with Bus Couplers, avionics control boxes, Bus Relays, etc. This TRB plug has a bayonet coupling design with a center contact and an intermediate cylindrical contact. The bayonet type can withstand severe shocks and vibrations.

Electrical Specifications

Description	Minimum	Typical	Maximum	Units
Frequency Range	DC		500	MHz
Insertion Loss		0.1		dB

Mechanical Specifications

Size

Length	2.09 in [53.09 mm]
Width	0.57 in [14.48 mm]
Height	0.57 in [14.48 mm]
Weight	0.05 lbs [21.77 g]

Material Specifications

Description	Material	Plating
Contact	Beryllium Copper	Gold 30 micro inches ASTM-B-488
Insulation	Teflon	
Outer Conductor	Phosphor Bronze	ASTM-B-488
Body	Brass	Nickel

Click the following link (or enter part number in "SEARCH" on website) to obtain additional part information including price, inventory and certifications:
[78 Ohm TRB 3-Slot Plug Clamp/Solder 1553 Connector with Bend Relief for 30-02003-LC, TWC-78-1 \(OD .150"\) LCCN10-06033-231](#)

78 Ohm TRB 3-Slot Plug Clamp/Solder 1553 Connector with Bend Relief for 30-02003-LC, TWC-78-1 (OD .150")



LCCN10-06033-231

ASTM-B-733

Environmental Specifications

Temperature

Operating Range

-55deg C to +200deg C

Compliance Certifications (see [product page](#) for current document)

Plotted and Other Data

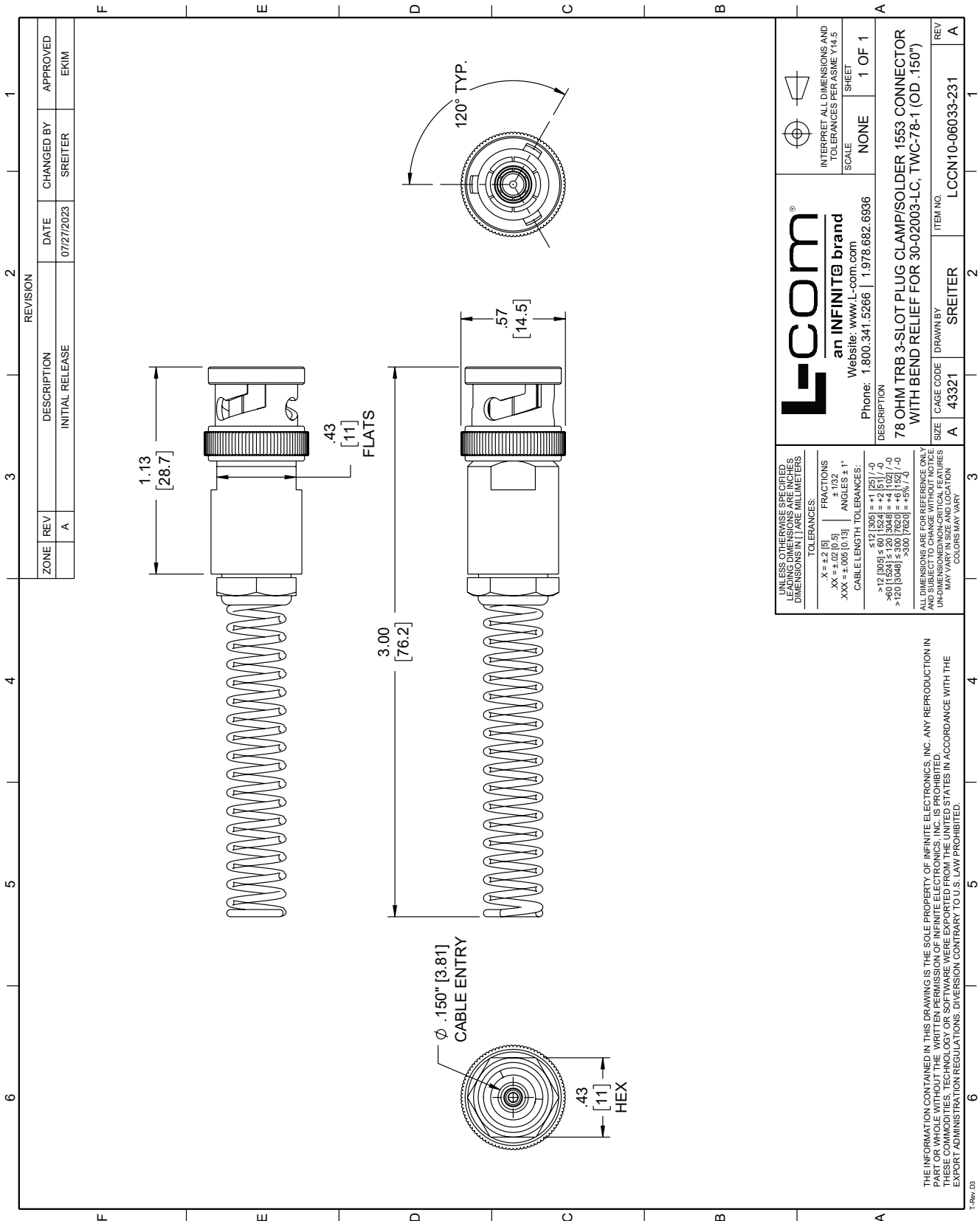
78 Ohm TRB 3-Slot Plug Clamp/Solder 1553 Connector with Bend Relief for 30-02003-LC, TWC-78-1 (OD .150") from L-com has same day shipment for domestic and International orders. Our portfolio includes coaxial cable assemblies, connectors, adapters and custom products as well as lightning and surge protectors, NEMA rated enclosures, and an RF product line which includes antennas, amplifiers, passive, and active components. Click the following link (or enter part number in "SEARCH" on website) to obtain additional part information including price, inventory and certifications: 78 Ohm TRB 3-Slot Plug Clamp/Solder 1553 Connector with Bend Relief for 30-02003-LC, TWC-78-1 (OD .150") LCCN10-06033-231

URL: <https://www.l-com.com/78-ohm-trb-3-slot-plug-clamp-solder-1553-connector-bend-relief-30-02003-lc-twc-78-1-od-.150-inch-lccn10-06033-231-p.aspx>

The information contained within this document is accurate to the best of our knowledge and representative of the part described herein. It may be necessary to make modifications to the part and/or the documentation of the part in order to implement improvements. L-com reserves the right to make such changes as required. Unless otherwise stated, all specifications are nominal. L-com does not make any representation or warranty regarding the suitability of the part described herein for any particular purpose, and L-com does not assume liability arising out of the use of any part or document. The information contained within this document is accurate to the best of our knowledge and representative of the part described herein. It may be necessary to make modifications to the part and/or the documentation of the part in order to implement improvements. L-com reserves the right to make such changes as required. Unless otherwise stated, all specifications are nominal. L-com does not make any representation or warranty regarding the suitability of the part described herein for any particular purpose, and L-com does not assume liability arising out of the use of any part or document.

78 Ohm TRB 3-Slot Plug Clamp/Solder 1553 Connector with Bend Relief for 30-02003-LC, TWC-78-1 (OD .150")

L-com CAD Drawing



ZONE		REV		DESCRIPTION		DATE		CHANGED BY		APPROVED	
A		A		INITIAL RELEASE		07/27/2023		SREITER		EKIM	

L-com
an INFINITE brand
Website: www.L-com.com
Phone: 1.800.341.5266 | 1.978.682.6936

INTERPRET ALL DIMENSIONS AND TOLERANCES PER ASME Y14.5
SCALE NONE SHEET 1 OF 1

DESCRIPTION
78 OHM TRB 3-SLOT PLUG CLAMP/SOLDER 1553 CONNECTOR WITH BEND RELIEF FOR 30-02003-LC, TWC-78-1 (OD .150")

SIZE A CAGE CODE A 43321 DRAWN BY SREITER ITEM NO. LCCN10-06033-231 REV A

UNLESS OTHERWISE SPECIFIED, LEADING DIMENSIONS ARE IN INCHES, DIMENSIONS IN PARENTHESES ARE IN MILLIMETERS.

TOLERANCES:
X = ±.2 (5)
XX = ±.005 (0.13)
XXX = ±.001 (0.025)

FRACTIONS
XX = 1/16 (0.0625)
XXX = 1/32 (0.03125)

ANGLES ± 1°

CABLE LENGTH TOLERANCES:
< 12 [304.8] ±.01 [0.254]
> 12 [304.8] ≤ 60 [1524] ±.02 [0.508]
> 60 [1524] ≤ 120 [3048] ±.03 [0.762]
> 120 [3048] ≤ 300 [7620] ±.04 [1.016]
> 300 [7620] ±.06 [1.524]

ALL DIMENSIONS ARE FOR REFERENCE ONLY AND SUBSTITUTIONS ARE PERMITTED. DIMENSIONS AND TOLERANCES MAY VARY IN SIZE AND LOCATION. COLORS MAY VARY.

THE INFORMATION CONTAINED IN THIS DRAWING IS THE SOLE PROPERTY OF INFINITE ELECTRONICS, INC. ANY REPRODUCTION IN PART OR WHOLE WITHOUT THE WRITTEN PERMISSION OF INFINITE ELECTRONICS, INC. IS PROHIBITED. THESE COMMODITIES, TECHNOLOGY OR SOFTWARE WERE EXPORTED FROM THE UNITED STATES IN ACCORDANCE WITH THE EXPORT ADMINISTRATION REGULATIONS. DIVERSION CONTRARY TO U.S. LAW PROHIBITED.

T-Rev: 03